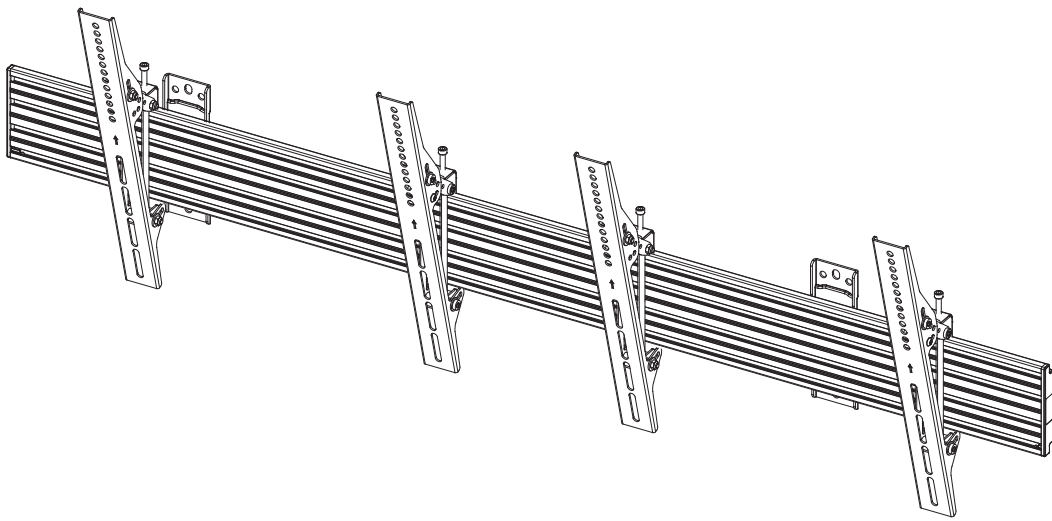


NEOMOUNTS PRO

BY NEWSTAR

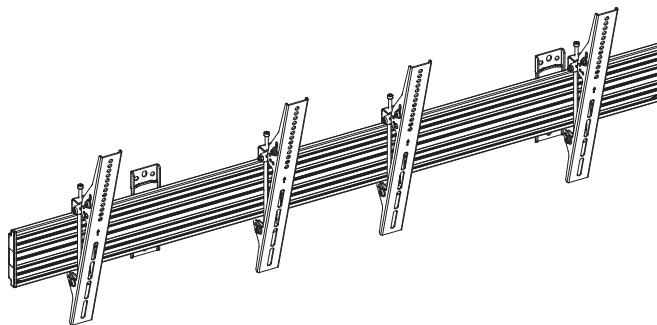


MENU BOARD WALL MOUNT

This instruction is applicable to all the following models and related extended products

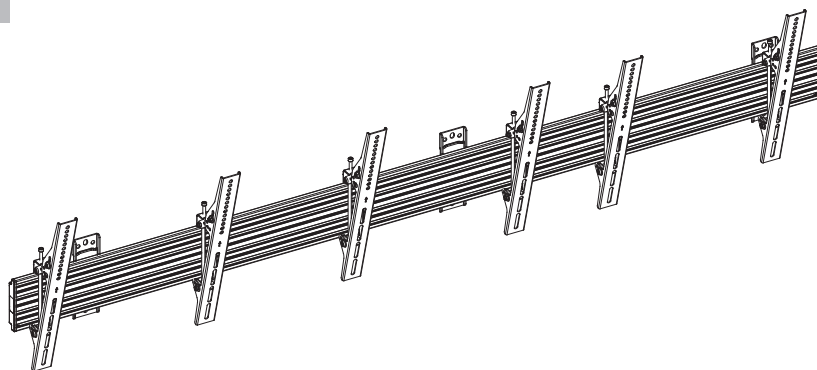
NMPRO-WMB2

Tilt arms



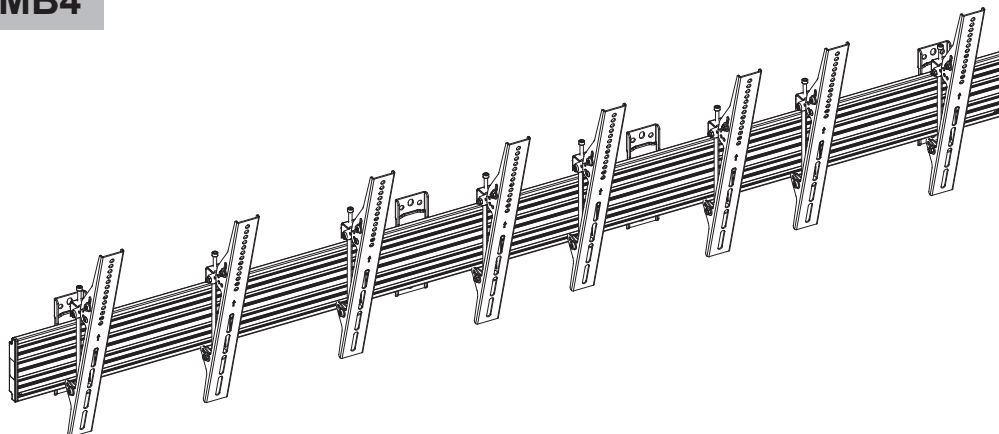
NMPRO-WMB3

Tilt arms



NMPRO-WMB4

Tilt arms



! WARNING

- Be sure to read this entire manual thoroughly and you fully understand all the instructions and warning before attempting to begin your installation.
- This products should only be installed by someone who has a basic knowledge of building constructio installations and fully undestnd these instrudtions.
- Always have someone assit you to lift and position your equipment.
- Tighten screws and bolts firmly, but do not over tighten. Over tightening can damage the item and greatly reduce their ability to hold.Please refer to suggested torque values where applicable in these instructions.

Parts list (NMPRO-WMB2)

A1	A2	A3	A4			B1	B2	B3	B4	B5			B6						
M5X15	M6X15	M8X15	Ø6XØ6.2X1.5	X4	X4	X4	X4	Ø6XØ8.2X1.5	M8	Lag bolt	Lag bolt	X4	X6	X4	X2	X2	X2	3mm 5mm	X1
				X2						X2									

D1	D2	D3	D4	D5
X2	1000mm*1+480mm*2	X8	X2	X2

Parts list (NMPRO-WMB3)

A1	A2	A3	A4			B1	B2	B3	B4	B5			B6						
M5X15	M6X15	M8X15	Ø6XØ6.2X1.5	X4	X4	X4	X4	Ø6XØ8.2X1.5	M8	Lag bolt	Lag bolt	X4	X6	X4	X2	X2	X2	3mm 5mm	X1
				X3						X3									

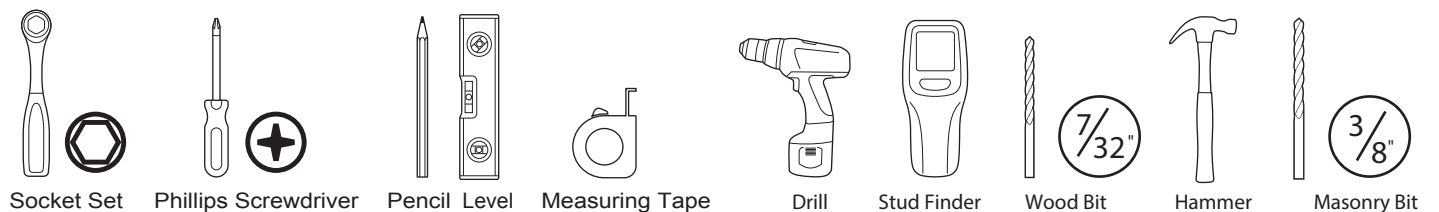
D1	D2	D3	D4	D5
X3	1000mm*3+480mm*1	X12	X2	X3

Parts list (NMPRO-WMB4)

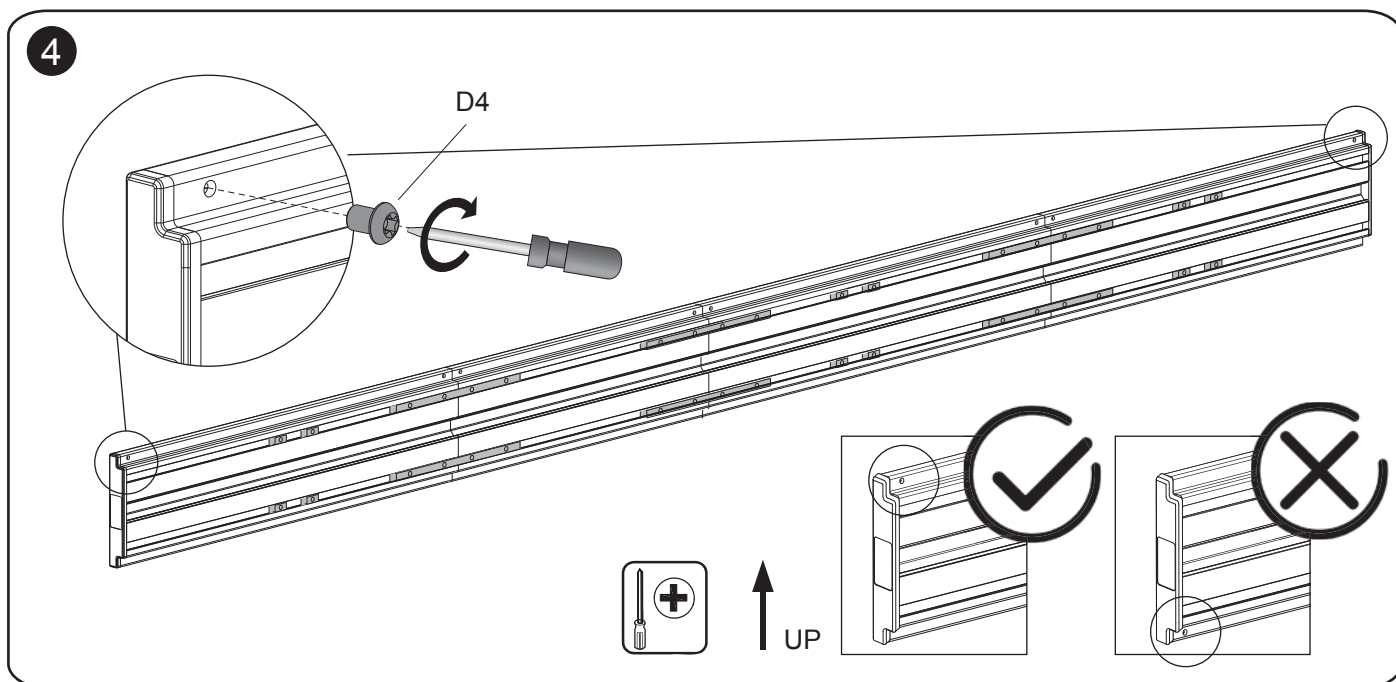
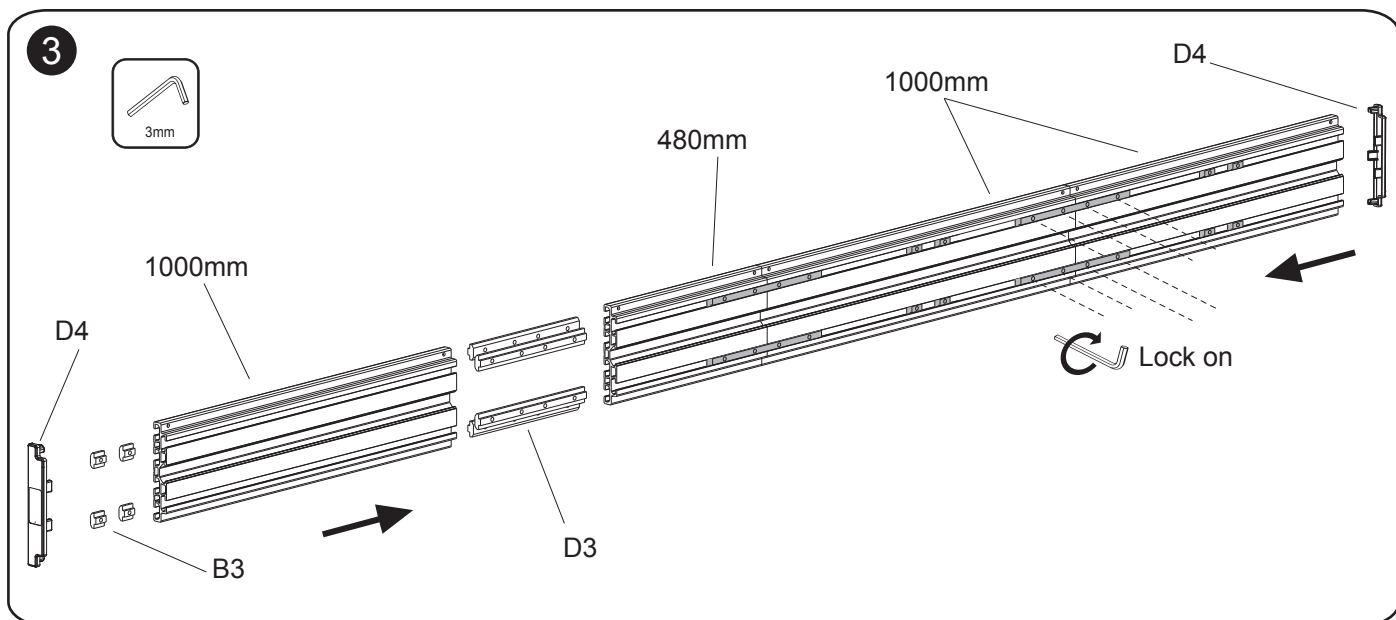
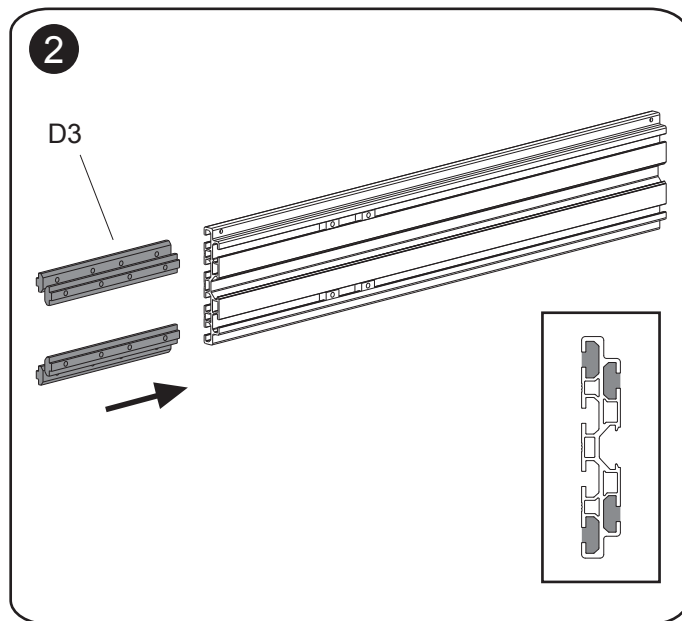
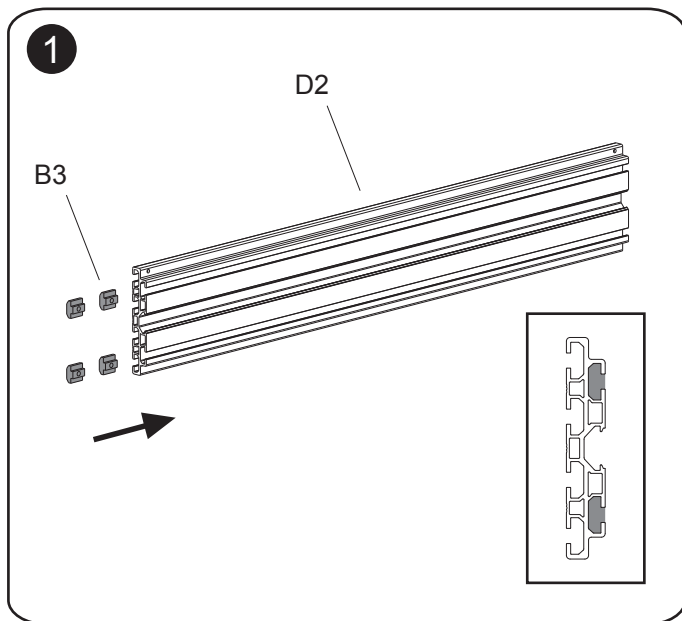
A1	A2	A3	A4			B1	B2	B3	B4	B5			B6						
M5X15	M6X15	M8X15	Ø6XØ6.2X1.5	X4	X4	X4	X4	Ø6XØ8.2X1.5	M8	Lag bolt	Lag bolt	X4	X6	X4	X2	X2	X2	3mm 5mm	X1
				X4						X4									

D1	D2	D3	D4	D5
X4	1000mm*4+480mm*1	X16	X2	X4

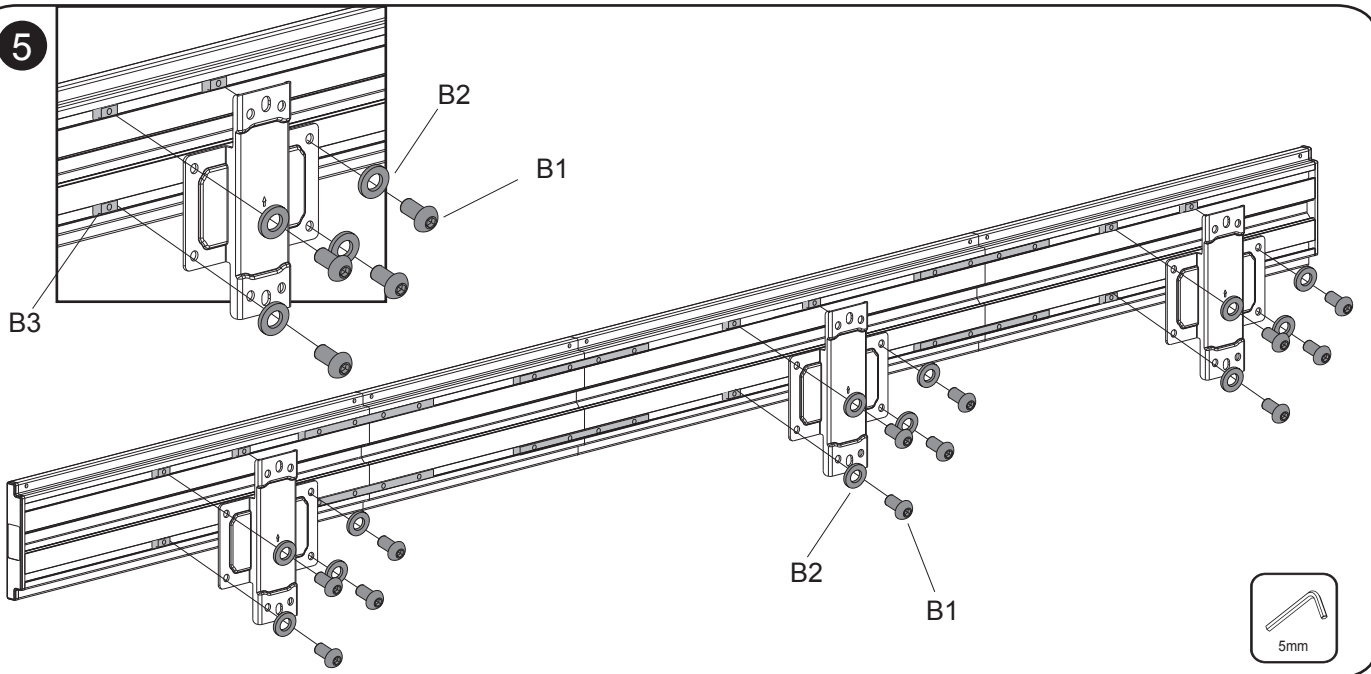
Required Tools



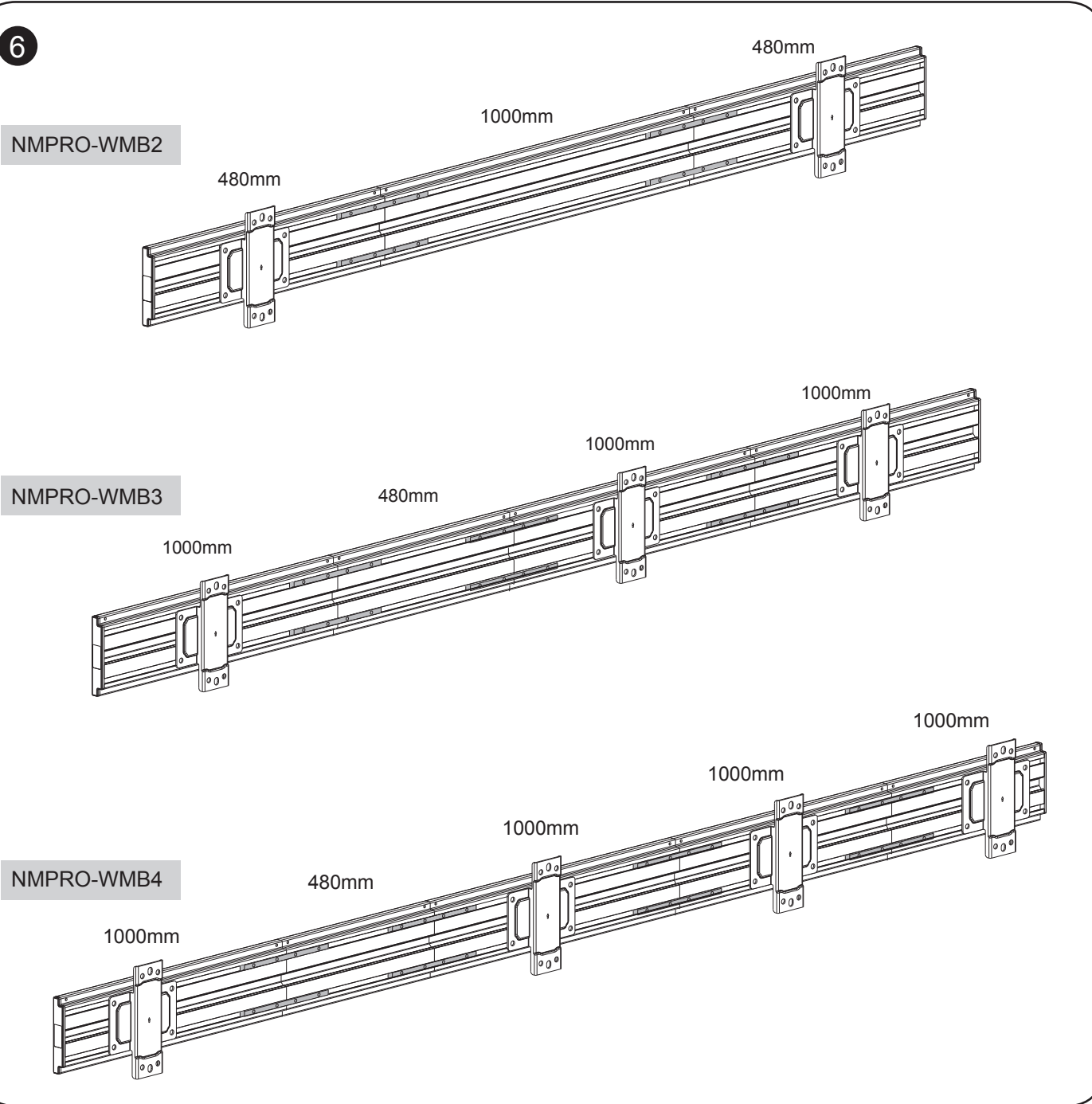
Installation



5

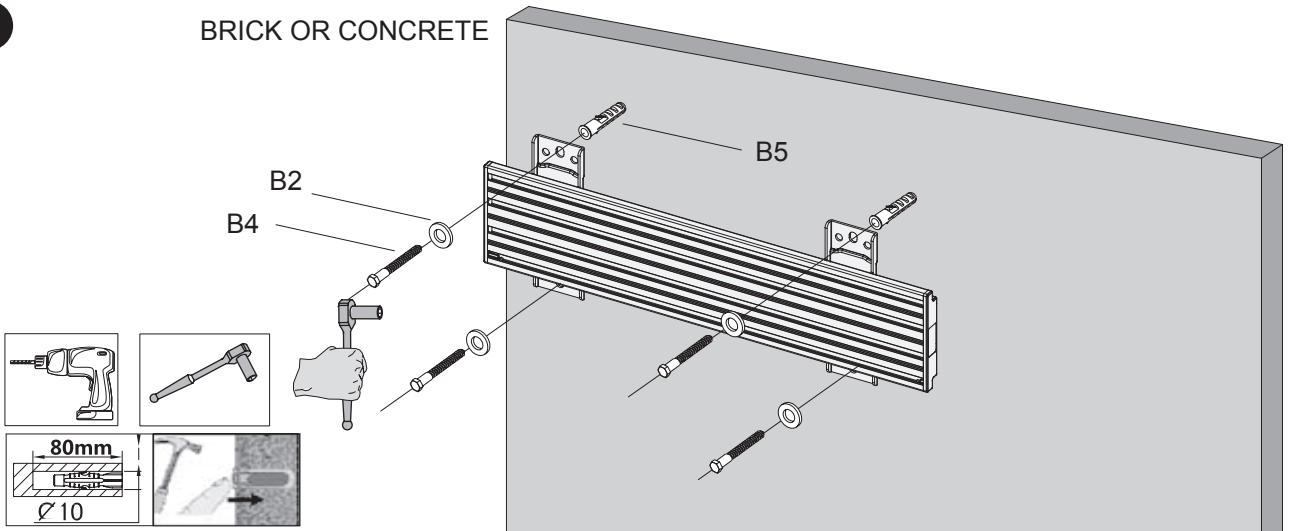


6

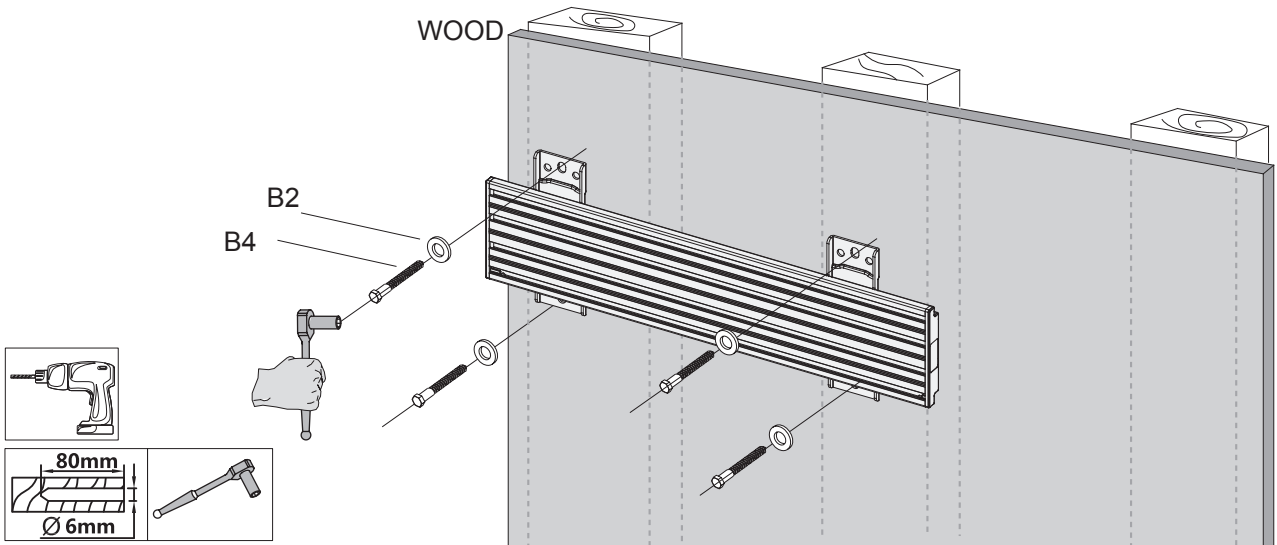


7

BRICK OR CONCRETE



WOOD

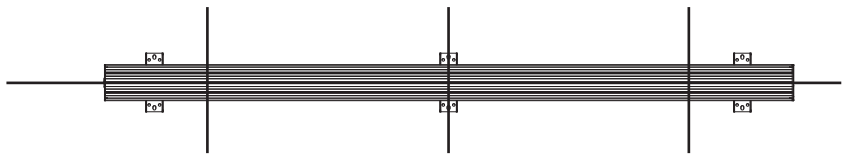


8

Installing the Mounting Brackets

After you have mounted the first bracket as described, draw a horizontal line (the use of a laser leveller may help).

Alignment line



Alignment line



You can place the second bracket by tape measure proceed in this way with the other brackets.

