

## IPAD2N-UN20BLACK

## NEOMOUNTS TABLET MOUNT

### SPECIFICATIONS

#### GENERAL

|              |                    |
|--------------|--------------------|
| Min. weight  | 0 kg (per screen)  |
| Max. weight  | 10 kg (per screen) |
| VESA minimum | 100x100 mm         |
| VESA maximum | 100x100 mm         |

#### FUNCTIONALITY

|                 |       |
|-----------------|-------|
| Type            | Fixed |
| Adjustment type | None  |

#### INFORMATION

|          |               |
|----------|---------------|
| Color    | Black         |
| Warranty | 5 year        |
| EAN code | 8717371444327 |

\*Please note: The inch sizes stated are just an indication, combined with the weight and VESA sizes. The maximum weight and VESA size are absolute restrictions for the products and should not be exceeded.



Neomounts



Neomounts

### Neomounts anti-theft iPad tablet holder IPAD2N-UN20BLACK for 9.7" iPad/ iPad Air tablets (VESA 100x100mm) - Black

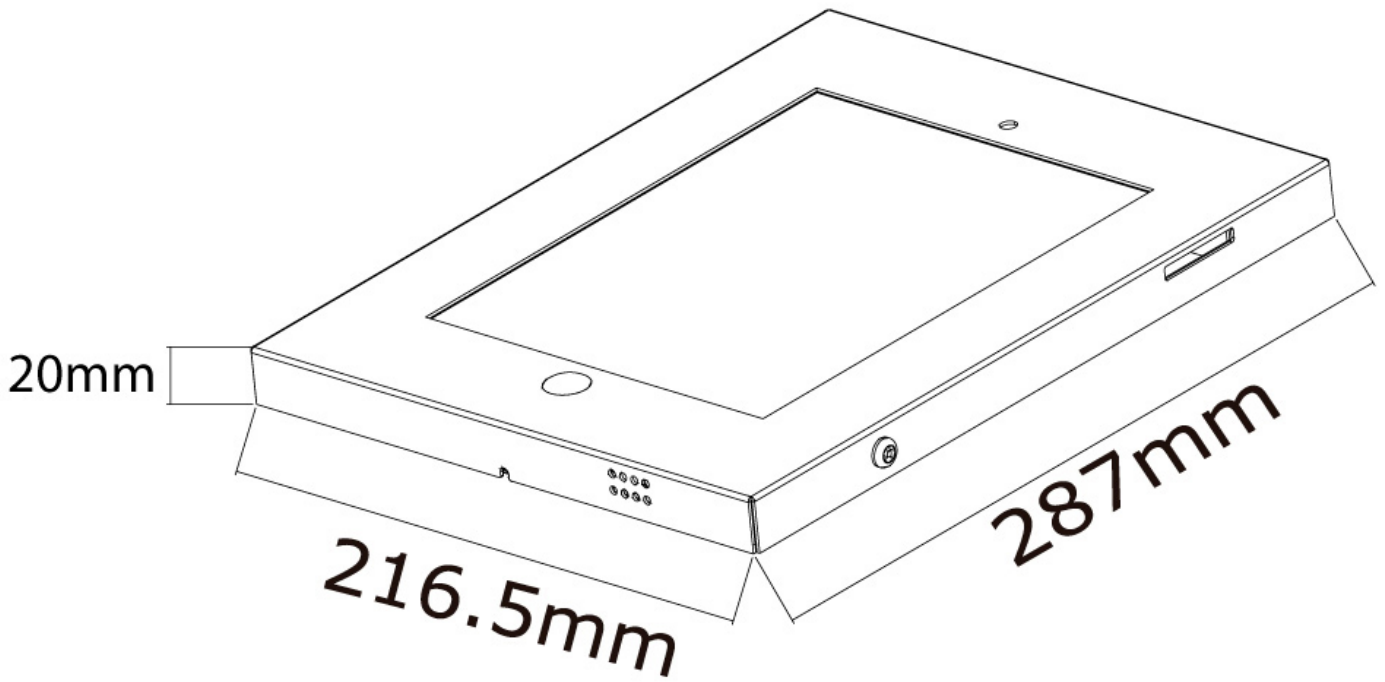
The Neomounts anti-theft tablet holder for 9.7" iPad/ iPad Air tablets, model IPAD2N-UN20BLACK, is designed for safe usage and displaying in the public. The tablet holder features, in addition to a lock, a home-button cover for shielding the home button.

The tablet holder offers the iPad optimum functionality and can easily be mounted on any Neomounts mount with VESA100 hole pattern. This makes it easy to change the height and depth of the iPad tablet. By combining this tablet holder with a Neomounts mount, the iPad can be mounted on the wall, ceiling or desk. This increases the applicability even more and allows the iPad, depending on the selected mount, to tilt, swivel, rotate and/ or be adjusted in height and depth.

Choose the mount that best suits your situation and combine it with the Neomounts tablet holder.

Installation is a piece of cake! All installation materials are included with the product.

## IPAD2N-UN20BLACK NEOMOUNTS TABLET MOUNT



Neomounts