



**MOUNTS
 SCREENS
 UP TO
 125KG**

BT8310XL

HEAVY DUTY POP-OUT FLAT SCREEN WALL MOUNT

Designed to mount extra-large screens, the heavy duty BT8310XL is capable of mounting screens up to 125kg in both landscape and portrait orientations. With reinforced scissor arms, this wall mount is ideal for mounting the largest sized screens and features an easy to use pop-out function and 8-point micro-adjustment, making installation and alignment into a recessed wall both quick and simple. Access to the rear or sides of the screen for maintenance or cabling is possible through the pop-out feature, with an additional locking kit accessory available (separately) to prevent unauthorised access if required.



SPECIFICATION

Recommended screen size	42" - 120"
Min/ Max Load	70kg to 125kg
VESA® compatibility (as standard)	200 x 100 to 400 x 400
VESA® compatibility (with adaptors)	up to 600 x 400
Flat to wall depth	101mm* (+/-7mm with micro-adjustment)
Popped out depth	293mm* (+/-7mm with micro-adjustment)
Colour	Black

FEATURES

- Perfect solution for mounting large heavy duty screens into a recessed wall
- Suitable for landscape or portrait screen mounting
- Push to open / push to close system provides quick and easy service access
- Tool-less micro-adjustments at 8 points for seamless display alignment
- Suitable for both wall or pole mounting
- Integrated cable management
- Locking kit (BT8310-LK) to prevent accidental pop-out of mount is also available
- Safety screws help prevent unauthorised removal of screens
- Includes interface Adaptor Arms as standard for use with screens with VESA 600 x 400 fixings (larger Adaptor Arms are also available)
- All mounting hardware included



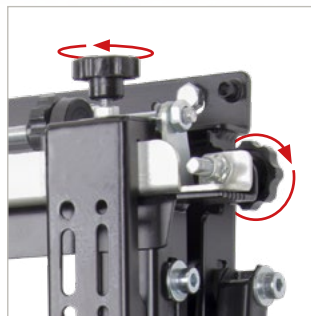
**Please note using the included Interface Adaptor Arms to mount VESA 600 x 400 screens will increase the total depth of the product by 6mm, for a total depth of 107mm, or 299mm whilst popped out (+/-7mm micro-adjustment).*



Side arms are reinforced to hold heavy loads up to 125kg



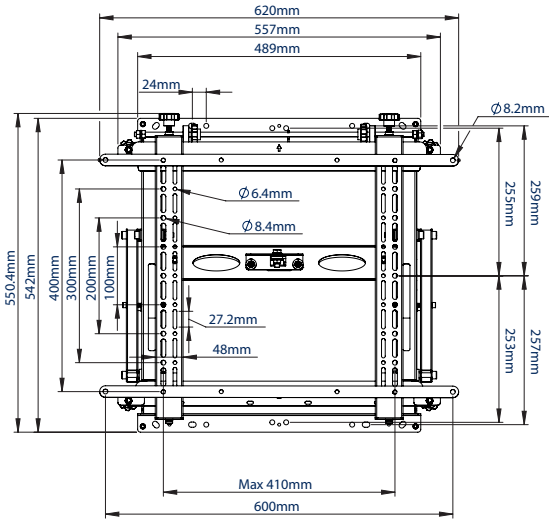
Push to open / push to close system provides quick and easy service access



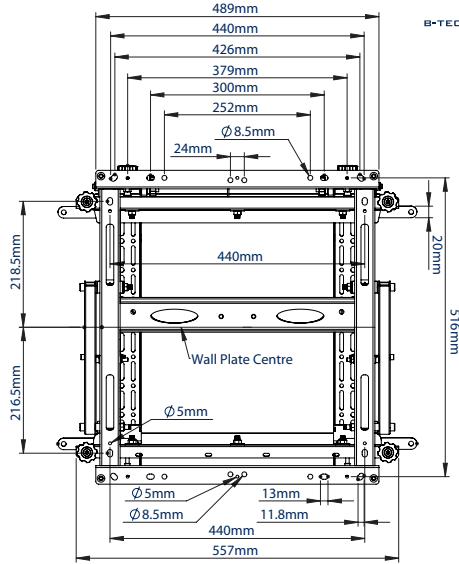
Tool-less micro-adjustment at 8 points for seamless display alignment



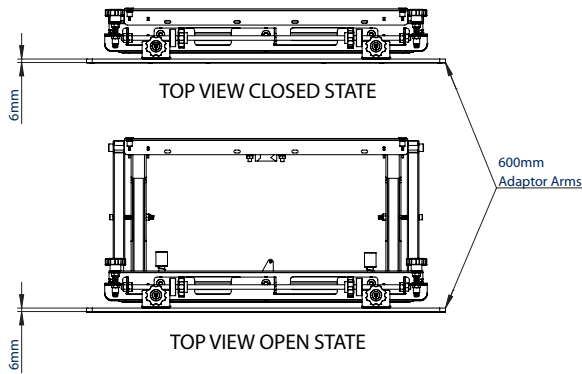
Optional Interface Adaptors for VESA 600 x 400 fixings included as standard



FRONT VIEW



REAR VIEW

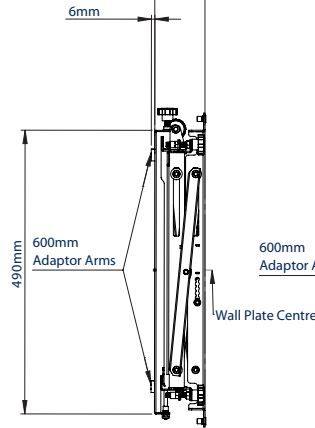


TOP VIEW CLOSED STATE

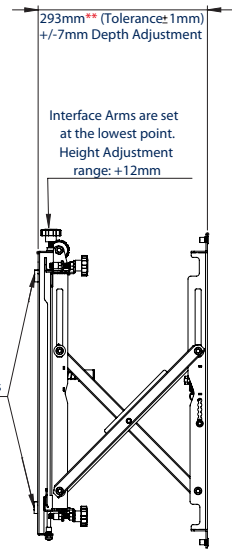
TOP VIEW OPEN STATE

600mm Adaptor Arms

101mm* (Tolerance ±1mm)
+/-7mm Depth Adjustment



SIDE VIEW CLOSED STATE



SIDE VIEW OPEN STATE

PACKING INFORMATION

COLOUR:	ORDER REF:	EAN CODE:	MASTER CARTON QTY:	INNER CARTON QTY:	MASTER CARTON WEIGHT:	MASTER CARTON CUBE
Black	BT8310XL/B	5019318071300	1	0	16kg	0.054cbm

*Total depth increased to **107mm** (+/-7mm micro-adjustment) when using VESA 600 x 400 adaptors

Total depth increased to **299mm (+/-7mm micro-adjustment) when using VESA 600 x 400 adaptors

RELATED PRODUCTS



BT9903
Heavy Duty Flat Screen Wall Mount
for screens up to 200kg



BT8321
System X Portrait Signage Mount
for screens up to 70kg



BT8310
Pop-Out Video Wall Mount for screens
up to 70kg



BT8309
Pop-Out Flat Screen Wall Mount with
Micro-Adjustment for screens up to 42"

© 2015 B-Tech Mounts Professional. All rights reserved. This document is for informational purposes only. The information in this document is subject to change without notice. B-Tech Mounts Professional is a registered trademark of B-Tech Mounts Professional. All other trademarks are the property of their respective owners. B-Tech Mounts Professional is not responsible for any damage caused by improper use, installation, or modification of any part of this specification. B-Tech Mounts Professional is not responsible for any damage caused by the use of any part of this specification. B-Tech Mounts Professional is not responsible for any damage caused by the use of any part of this specification. B-Tech Mounts Professional is not responsible for any damage caused by the use of any part of this specification. B-Tech Mounts Professional is not responsible for any damage caused by the use of any part of this specification.