



IDEAL FOR
 RECESS
 MOUNTING

BT8309

POP-OUT FLAT SCREEN WALL MOUNT

WITH MICRO-ADJUSTMENT

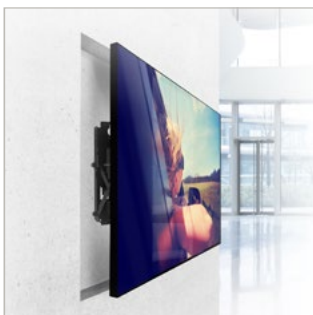
The BT8309 is designed for the installation of small to medium flat screens into recessed walls. The pop-out mechanism allows for a neat and tidy, flush to the wall installation, while still allowing access to the rear of the screen for easy installation and service access. Tool-less micro-adjustment is included on each corner to allow screens to be perfectly aligned to the recess or to other screens in a videowall installation. BT8309 also allows screens to be mounted in landscape or portrait orientation and is also compatible with B-Tech's professional pole and collar system for pole mounted installs if required.

SPECIFICATION

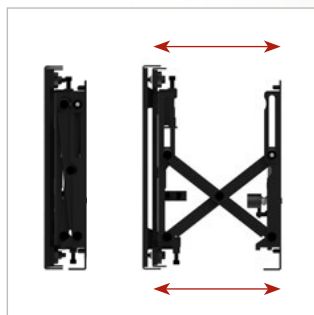
Recommended screen size	up to 42"
Max load	25kg
VESA® compatibility	75 x 75 up to 200 x 200
Flat to wall depth	69mm (+/-5mm micro-adjustment)
Popped out depth	186mm (+/-5mm micro-adjustment)
Screen height adjustment	+12mm
Colour	Black

FEATURES

- Perfect solution for mounting screens into a recessed wall
- Can also be used to create videowall installations
- Push to open / push to close system provides quick and easy service access
- Micro-adjustment of +/-5mm at each corner for seamless display alignment
- Suitable for landscape or portrait screen mounting
- Suitable for both wall or pole mounting
- Keyhole mounting for quick and easy installation
- Levelling screws allow adjustment of screen height
- Integrated locking mechanism prevents accidental pop-out of mount
- Integrated cable management
- 'Hook-on' installation with all mounting hardware included



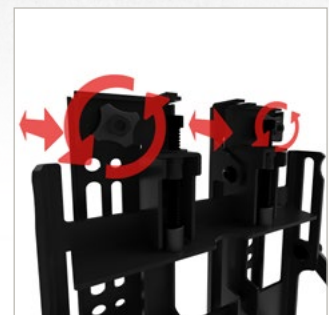
Perfect solution for mounting screens into a recessed wall



Push to open / push to close system provides quick and easy service access



Compatible with B-Tech's professional pole and collar system for pole mounting



Tool-less micro-adjustment for seamless display alignment

