



# BT8427

## ADJUSTABLE DROP FLAT SCREEN CEILING MOUNT WITH TILT

Designed to ceiling mount screens up to 70kg, the BT8427 features a push button adjustable drop of 572mm - 972mm with a safety bolt supplied for a secure installation and utilises an easy tilt mechanism for the perfect view. Levelling screws are included on the interface arms to finely adjust the screen height and locking screws help prevent unauthorised removal of the screen. Cover plates are supplied for a neat and tidy installation.

### SPECIFICATION

Recommended screen size	up to 65"
Max load	70kg
VESA® & non-VESA fixings	up to 468 x 400mm
VESA® compatibility (with included adaptors)	up to 600 x 400
Tilt	up to +20° (in increments of 5°)
Ceiling drop	Min. 572mm - Max. 972mm*
Colour option (mounting rail)	Black or Silver

\*From the ceiling to the centre of the mount

### FEATURES

- Adjustable ceiling drop in increments of 25mm
- Quick and easy adjustment of the tilt angle
- Lateral adjustment of screen once mounted
- Suitable for landscape or portrait mounting
- Arms feature levelling screws to adjust the screen height
- Security screws help prevent unauthorised removal of screens
- Integrated cable management
- Cover plate included for smart installation
- Simple 'hook-on' installation with all mounting hardware included



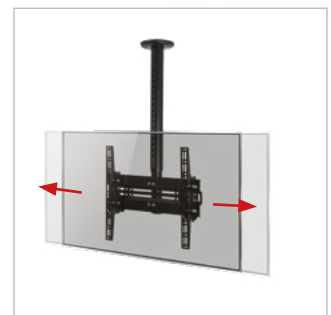
Integrated cable management



Interface arms tilt up to 20° (with a variable tilt and with fixed increments of 5°)

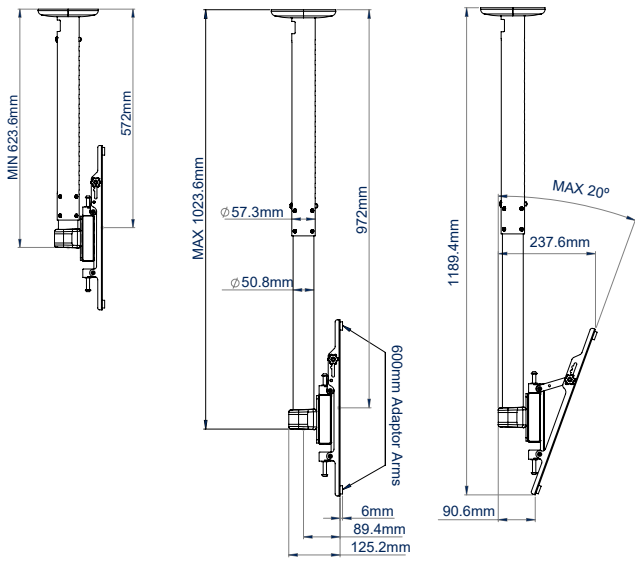
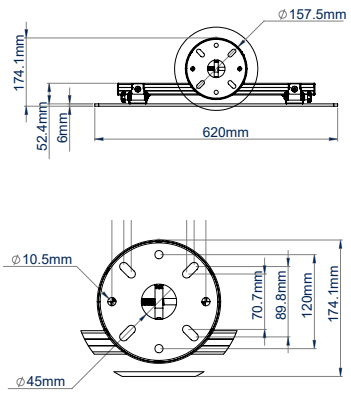
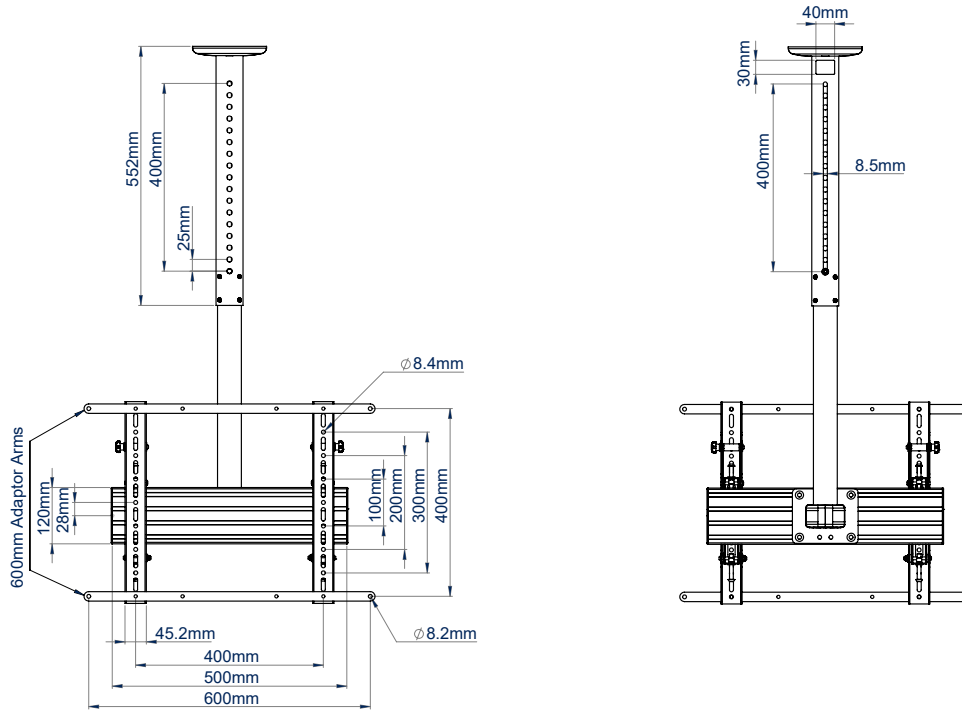


Height adjustment screws for screen levelling



Post installation screen alignment for perfect positioning every time

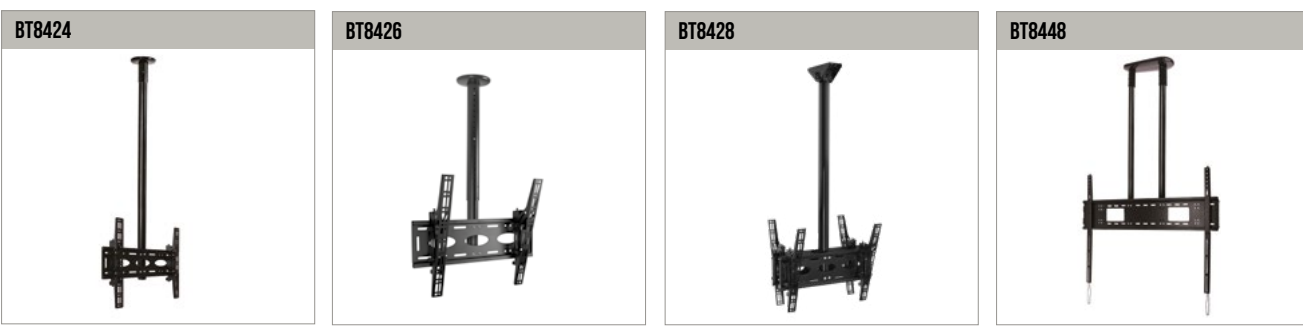




**PACKING INFORMATION** ORIGINAL DESIGN BY B-TECH - REGISTERED COMMUNITY DESIGNS

COLOUR:	ORDER REF:	EAN CODE:	MASTER CARTON QTY:	INNER CARTON QTY:	MASTER CARTON WEIGHT:	MASTER CARTON CUBE:
Black	BT8427/B	5019318084454	1	0	9.75kg	0.02cbm

**RELATED PRODUCTS**



**BT8424** Universal Flat Screen Ceiling Mount with Tilt for screens up to 65"  
**BT8426** Adjustable Drop Flat Screen Ceiling Mount with Tilt for screens up to 65"  
**BT8428** Back-to-Back Flat Screen Ceiling Mount with Tilt for two screens up to 65"  
**BT8448** Extra-Large Flat Screen Ceiling Mount for screens over 65"

© 2016 B-Tech Mounts of Devon, UK. All rights reserved.  
 The information in this specification is intended for your reference only. It is not intended to be used as a substitute for the manufacturer's instructions. B-Tech Mounts and its products are registered trademarks of B-Tech Mounts of Devon, UK. All other trademarks are the property of their respective owners. B-Tech Mounts is not responsible for any damage caused by improper use or installation of its products. Any reproduction or transmission or replication of any part of this specification is strictly prohibited unless prior written permission has been granted by B-Tech Mounts of Devon, UK. B-Tech Mounts of Devon, UK is not responsible for any damage caused by improper use or installation of its products.

SS-V3-BT8427-050819