



KSM11

Wireless Microphone Capsule

Online user guide for KSM11.
Version: 1.0 (2022-D)

Table of Contents

KSM11 Wireless Microphone Capsule	3	Replacement Parts	4
General Description	3	Specifications	4
Features	3	Certifications	6
Setup and Compatibility	3	SAFETY PRECAUTIONS	7
Model Variations	3	LIMITED WARRANTY	7
Accessories and Parts	3	FOR ORIGINAL PURCHASES IN AUSTRALIA ONLY	8
Optional Accessories	4	Service Centers	9
		China RoHS	9

KSM11

Wireless Microphone Capsule

General Description

The Shure KSM11 wireless vocal microphone capsule is specifically optimized to more accurately protect and present artist vocals in modern digital wireless live sound productions. As stages have transitioned to more fully embrace digital technology, Shure developed the KSM11 to take advantage of increased linearity and control enabled by this transition. Featuring a premium cardioid condenser design, the KSM11 offers near-perfect off-axis rejection and a highly consistent polar response from an expertly crafted combination of transducer and shock mount technology. The result is an elegant and natural combination of low and mid-range clarity and essential high end detail, designed specifically for high-profile wireless applications, including live performance, live event recording and premium streaming.

Features

- Proprietary wireless condenser capsule utilizing a $\frac{3}{4}$ " gold diaphragm and premium electronics for exceptional dynamic range and transient response.
- Highly consistent, deep cardioid polar pattern reduces off-axis phase distortion for pristinely focused vocal reproduction to provide rich and full low frequency response, linear and transparent mid-range and natural high-end detail.
- Streamlined design for an overall smaller and lighter capsule footprint.
- Advanced suspended isolation system for virtually zero handling noise.
- Dent-resistant hardened steel grille with 3-stage plosive reduction pop filtering for consistent, artifact-free vocals.
- Available in black or brushed nickel finish for use with compatible Shure handheld wireless transmitters.

Setup and Compatibility

To use the KSM11 microphone capsule, thread it onto a compatible wireless transmitter or wired handle.

The KSM11 is compatible with all Shure handheld transmitters with removable capsules. It's also compatible with the Shure VPH wired handle XLR accessory, allowing the KSM11 to be used in typical XLR connections.

Model Variations

The KSM11 microphone capsule is available in a black or brushed nickel finish. It may be purchased as part of a Shure wireless system, or as an upgrade to an existing wireless handheld transmitter.

RPW192: KSM11 condenser capsule with a black finish.

RPW194: KSM11 condenser capsule with a brushed-nickel finish.

Accessories and Parts

Optional Accessories

Foam Windscreen	A85WS
Wired Handle	VPH

Replacement Parts

Grille, Black	RPM261
Grille, Nickel	RPM263

Specifications

Specifications were calculated using a KSM11 cartridge with Shure digital wireless handheld transmitters. They may vary slightly depending on the transmitter used.

Type

Electret condenser

Polar Pattern

Cardioid

Frequency Response

50 to 20,000 Hz

Output Impedance (1 kHz)

250 Ω with 5 VDC

Sensitivity

at 1kHz, open circuit voltage -46.5 dBV/Pa

1 Pa=94 dB SPL

Maximum SPL

151 dB SPL with 5 VDC

Signal-to-Noise Ratio

71.5 dB

S/N ratio is the difference between 94 dB SPL and equivalent SPL of self noise, A-weighted

Dynamic Range

128.5 dB with 5 VDC

Clipping Level

10 dBV with 5 VDC

Self Noise

22.5 dB SPL typical, equivalent SPL, A-weighted

Polarity

Positive pressure on diaphragm produces positive voltage into transmitter with respect to ground

Power Requirements

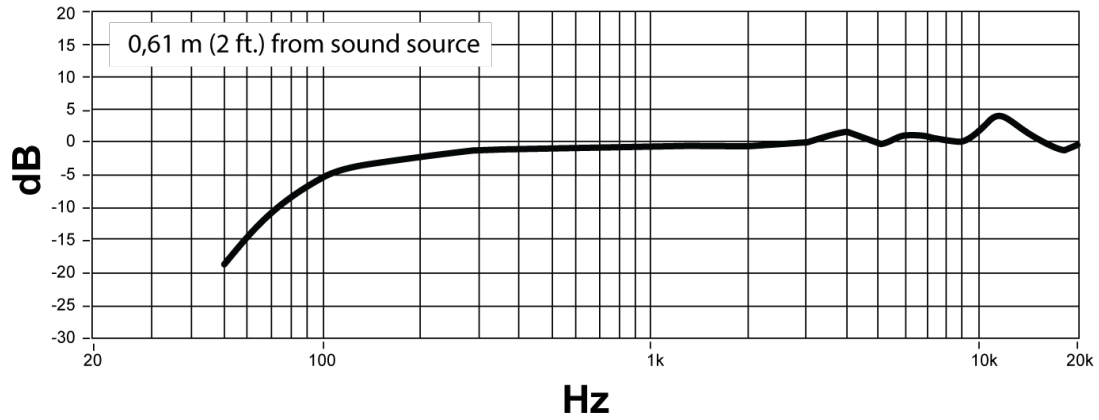
5 Volt Bias from Shure transmitter

Weight

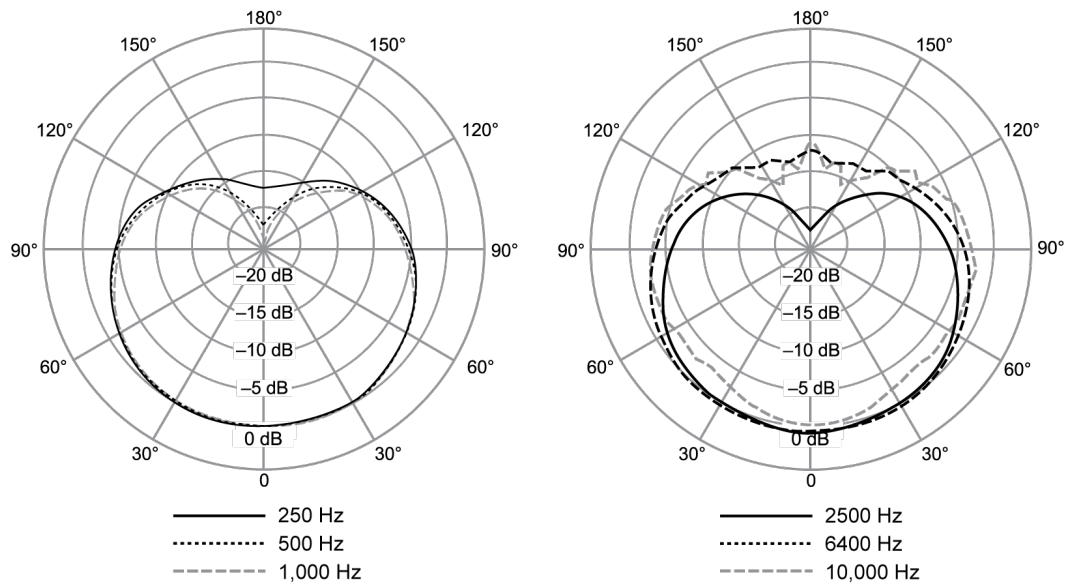
150 g (5.3 oz.)

Housing

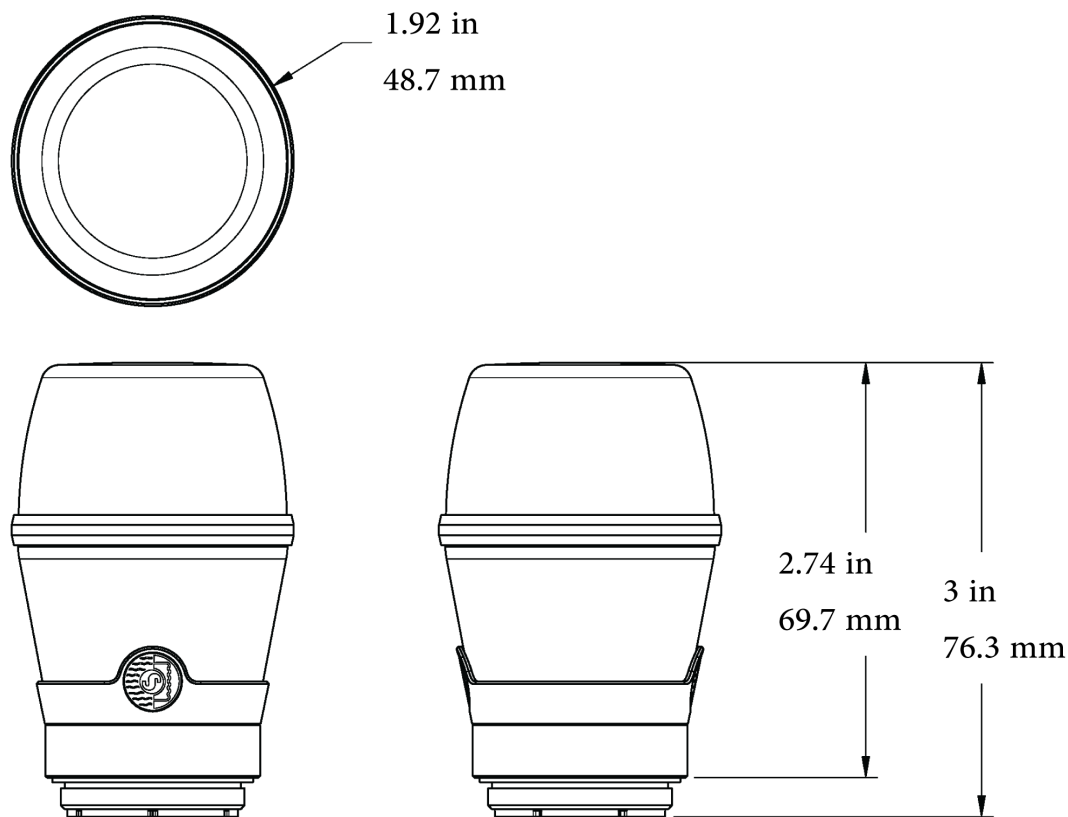
Aluminum and steel grille



Typical Frequency Response



Typical Polar Pattern



Dimensions

Certifications

CE Notice: Hereby, Shure Incorporated declares that this product with CE Marking has been determined to be in compliance with European Union requirements. The full text of the EU declaration of conformity is available at the following site: <https://www.shure.com/en-EU/support/declarations-of-conformity>.

Authorized European representative:

Shure Europe GmbH
 Department: Global Compliance
 Jakob-Dieffenbacher-Str. 12
 75031 Eppingen, Germany
 Phone: +49-7262-92 49 0
 Fax: +49-7262-92 49 11 4
 Email: EMEAsupport@shure.de

UKCA Notice: Hereby, Shure Incorporated declares that this product with UKCA Marking has been determined to be in compliance with UKCA requirements. The full text of the UK declaration of conformity is available at the following site: <https://www.shure.com/en-GB/support/declarations-of-conformity>.

UK Importer / UK Rep.
 Shure UK Limited
 Unit 2, The IO Centre, Lea Road,

Waltham Abbey, Essex, EN9 1 AS,
UK

Waste Electrical and Electronic Equipment (WEEE) Directive



In the European Union and the United Kingdom, this label indicates that this product should not be disposed of with household waste. It should be deposited at an appropriate facility to enable recovery and recycling.

Please consider the environment, electric products and packaging are part of regional recycling schemes and do not belong to regular household waste.

Registration, Evaluation, Authorization of Chemicals (REACH) Directive

REACH (Registration, Evaluation, Authorization of Chemicals) is the European Union (EU) and the United Kingdom (UK) chemical substances regulatory framework. Information on substances of very high concern contained in Shure products in a concentration above 0.1% weight over weight (w/w) is available upon request.



SAFETY PRECAUTIONS

Before using this product, please read and save the enclosed warnings and safety instructions.

	<p>WARNING: Ignoring these warnings may cause severe injury or death as a result of incorrect operation.</p> <p>If water or other foreign objects enter the inside of the device, fire or electric shock may result. Do not attempt to modify this product. Doing so could result in personal injury and/or product failure.</p>
	<p>CAUTION: Ignoring these cautions may cause moderate injury or property damage as a result of incorrect operation.</p> <p>Never disassemble or modify the device, as failures may result. Do not subject to extreme force and do not pull on the cable or failures may result. Keep the microphone dry and avoid exposure to extreme temperatures and humidity.</p>

LIMITED WARRANTY

Shure Incorporated ("Shure") hereby warrants to the original consumer purchaser only that, except as otherwise specified below, this product will be free in normal use of any defects in materials and workmanship for a period of two (2) years from the consumer's original date of purchase directly from Shure or from a Shure-authorized reseller.

Any rechargeable batteries contained in or packaged with this product are so warranted for a period of one (1) year from the consumer's original date of purchase. However, rechargeable batteries are consumable and their capacity will be reduced over time based on temperature, amount of time in storage, charging cycles, and other factors; hence reduction in battery capacity does not constitute a defect in material or workmanship.

At its sole option, Shure will repair or replace the defective product and promptly return it to you. In order for this warranty to be valid, the consumer must, at the time the product is returned, provide proof of purchase in the form of the original purchase receipt directly from Shure or from a Shure-authorized reseller. If Shure elects to replace the defective product, then Shure reserves the right to replace the defective product with another product of the same model or a model of at least comparable quality and features in Shure's sole determination.

If you believe this product is defective within the warranty period, carefully repack the unit, insure it and return it with proof of purchase, postage prepaid, to Shure Incorporated, Attention: Service Department, at the address below.

Outside of the United States, return the product to your dealer or Authorized Service Center. Addresses are listed on www.Shure.com or can be obtained by contacting Shure at the address listed below.

This warranty is not transferable. This warranty does not apply in cases of abuse or misuse of the product, use contrary to Shure's instruction, ordinary wear and tear, an act of God, negligent use, purchase from a party other than Shure or a Shure-authorized reseller, unauthorized repair, or modification of the product.

ALL IMPLIED WARRANTIES OF MERCHANTABILITY OR FITNESS FOR A PARTICULAR PURPOSE ARE HEREBY DISCLAIMED TO THE EXTENT PERMITTED UNDER APPLICABLE LAWS AND, TO THE EXTENT NOT PERMITTED, ARE HEREBY LIMITED TO THE DURATION AND TERMS OF THIS WARRANTY. SHURE ALSO HEREBY DISCLAIMS ALL LIABILITY FOR INCIDENTAL, SPECIAL, OR CONSEQUENTIAL DAMAGES.

Some states do not allow limitations on how long an implied warranty lasts, or the exclusion or limitation of incidental or consequential damages, so the above limitation may not apply to you. This warranty gives you specific legal rights, and you may have other rights which vary from state to state.

This warranty does not restrict the rights of the consumer mandated under applicable laws.

THIS WARRANTY SUPERSEDES ALL OTHER WARRANTIES THAT ARE ASSOCIATED OR INCLUDED WITH THIS PRODUCT, EXCEPT THAT ANY SOFTWARE CONTAINED IN OR PACKAGED WITH THIS PRODUCT IS EXCLUDED FROM THIS WARRANTY AND INSTEAD SHALL BE COVERED BY THE WARRANTY, IF ANY, PROVIDED IN SHURE'S END USER LICENSE AGREEMENT ACCOMPANYING SUCH SOFTWARE.

FOR ORIGINAL PURCHASES IN AUSTRALIA ONLY

LIMITED WARRANTY AGAINST DEFECTS

Shure Incorporated ("Shure") hereby warrants to the original consumer purchaser in Australia only that, except as otherwise specified below, this product will be free in normal use of any defects in materials and workmanship for a period of two (2) years from the consumer's original date of purchase directly from Shure or from a Shure-authorized reseller.

Any rechargeable batteries contained in or packaged with this product are so warranted for a period of one (1) year from the consumer's original date of purchase. However, rechargeable batteries are consumable and their capacity will be reduced over time based on temperature, amount of time in storage, charging cycles, and other factors; hence reduction in battery capacity does not constitute a defect in material or workmanship.

At its sole option, Shure will repair or replace the defective product and promptly return it to you. In order for this warranty to be valid, the consumer must, at the time the product is returned, provide proof of purchase in the form of the original purchase receipt directly from Shure or from a Shure-authorized reseller. If Shure elects to replace the defective product, then Shure reserves the right to replace the defective product with another product of the same model or a model of at least comparable quality and features in Shure's sole determination.

If you believe this product is defective within the warranty period, carefully repack the unit, insure it and return it with proof of purchase, postage prepaid, to Shure Incorporated, Attention: Service Department, at the address below.

Outside of the United States, return the product to your dealer or Authorized Service Center. Addresses are listed on www.Shure.com or can be obtained by contacting Shure at the address listed below.

This warranty is not transferable. This warranty does not apply in cases of abuse or misuse of the product, use contrary to Shure's instruction, ordinary wear and tear, an act of God, negligent use, purchase from a party other than Shure or a Shure-authorized reseller, unauthorized repair, or modification of the product.

ALL IMPLIED WARRANTIES OF MERCHANTABILITY OR FITNESS FOR A PARTICULAR PURPOSE ARE HEREBY DISCLAIMED TO THE EXTENT PERMITTED UNDER APPLICABLE LAWS AND, TO THE EXTENT NOT PERMITTED, ARE HEREBY LIMITED TO THE EXTENT PERMITTED TO THE DURATION AND TERMS OF THIS WARRANTY. SHURE ALSO HEREBY DISCLAIMS ALL LIABILITY FOR INCIDENTAL, SPECIAL, OR CONSEQUENTIAL DAMAGES FOR ANY PURCHASER ACQUIRING THIS PRODUCT, EXCEPT THAT THIS DOES NOT CONSTITUTE A DISCLAIMER OF RIGHTS GUARANTEED TO ANY "CONSUMER" UNDER THE AUSTRALIAN CONSUMER LAW.

This warranty gives purchasers of this product in Australia specific legal rights which are in addition to the rights and remedies of consumers under the Australian Consumer Law, which cannot be excluded or limited. If you are a "consumer" under the Australian Consumer Law, you are entitled to a replacement or refund for a major failure and for compensation for any other reasonably foreseeable loss or damage. You are also entitled to have the goods repaired or replaced if the goods fail to be of acceptable quality and the failure does not amount to a major failure.

THIS WARRANTY SUPERSEDES ALL OTHER WARRANTIES THAT ARE ASSOCIATED OR INCLUDED WITH THIS PRODUCT, EXCEPT THAT ANY SOFTWARE CONTAINED IN OR PACKAGED WITH THIS PRODUCT IS EXCLUDED FROM THIS WARRANTY AND INSTEAD SHALL BE COVERED BY THE WARRANTY, IF ANY, PROVIDED IN SHURE'S END USER LICENSE AGREEMENT ACCOMPANYING SUCH SOFTWARE.

Service Centers

United States, Canada, Latin America, Caribbean

Shure Incorporated
Attn: Service Department
945 Chaddick Dr.
Wheeling, IL 60090-6449 U.S.A.

Europe, Middle East, and Africa

Shure Europe GmbH
Attn: Service
Jakob-Dieffenbacher-Str. 12,
75031 Eppingen, Germany

Indonesia Service Center Resmi

Jakarta Hotline (021) 612 6388
Medan (061) 6612550
Surabaya (031) 5032219
Jogjakarta (0274) 371710
Denpasar (0361) 766788
Makasar (0411) 324652

Asia

Shure Asia Limited
22/F, 625 King's Road
North Point, Island East
Hong Kong
Attention: Service Department
Phone: (852) 28934290
Fax: (852) 28934055
Email: info@shure.com.hk

China RoHS

部件名称	有害物质					
	铅	汞	镉	六价铬	多溴联苯	多溴二苯醚
电路板块	X	○	○	○	○	○
金属模块	X	○	○	○	○	○
线缆及其附件	X	○	○	○	○	○
外壳	○	○	○	○	○	○
电源适配器*	X	○	○	○	○	○
电源适配器*	X	○	○	○	○	○

本表格依据SJ/T11364的规定编制。
 ○: 表示该有害物质在该部件所有均质材料中的含量均在GB/T26572规定的限量要求以下。
 X: 表示该有害物质至少在该部件某一均质材料中的含量超过GB/T26572规定的限量要求。
 注: 本产品大部分附件采用无铅环保材料制造, 含有有害物质的部件则因全球技术发展水平的限制而无法实现有害物质的替代。
 *表示如果包含部分