

Product Specifications

Beta 98 Miniature Supercardioid Condenser Microphone

Overview

The Shure Beta 98/S is a compact, high-output miniature condenser microphone for professional sound reinforcement and studio recording. It's extremely uniform supercardioid pickup pattern provides high gain-before-feedback and excellent rejection of unwanted noise. Its high sound pressure level capability (SPL) makes it useful for a variety of acoustic or amplified instruments including drums, piano, reed, wind, and strings. The Beta 98 D/S miniature supercardioid condenser microphone is precision engineered to excel at professional sound reinforcement or recording of toms, snares, and percussion. A tight polar pattern provides high gain-before-feedback and excellent rejection of unwanted noise. Interchangeable cartridge design (cardioid cartridge available separately) allows further customization for specific applications.

Features

- Premier live performance microphone with Shure quality, ruggedness, and reliability
- Uniform supercardioid pick-up pattern for maximum gain before feedback and superior rejection of off-axis sound
- Tailored frequency response specifically shaped for drums, guitars, percussion and horns
- Wide dynamic range for use in SPL environments
- Optional A98D mount is unobtrusive and versatile, allows precise positioning of the microphone while holding it firmly in place
- Compact design reduces stage clutter
- Interchangeable microphone cartridges with different polar patterns are available
- Enamel coated metal construction and stainless steel inner grille resist wear and abuse

Available Models

BETA 98/S	Miniature Supercardioid Condenser Microphone
BETA 98D/S	Miniature Supercardioid Condenser Drum Microphone

Specifications

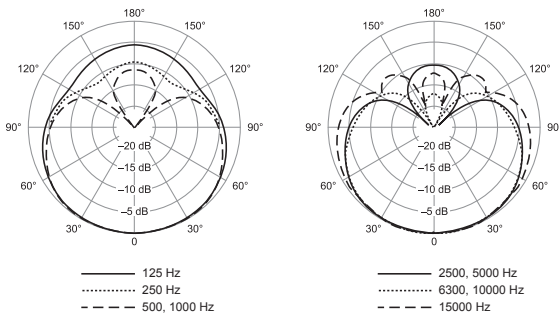
Cartridge Type	Electret Condenser
Frequency Response	20 to 20,000 Hz
Polar Pattern	Cardioid
Output Impedance	150 ohms
Maximum SPL (1 kHz at 1% THD, 1k ohms load)	156 dB
Signal-to-Noise Ratio (referenced at 94 dB SPL at 1 kHz)	59 dB S/N ratio is difference between 94 dB SPL and equivalent SPL of self noise, A-weighted
Dynamic Range (at 1 kHz, 1 k ohms load)	125 dB
Clipping Level (1 kHz at 0.25% THD, 1k ohms load)	2 dBV (1.26 V)
Equivalent Output Noise (A-weighted)	35 dB SPL typical
Hum Pickup (typical, at 60 Hz, equivalent SPL/mOe)	-7.5 dB
Polarity	Positive pressure on diaphragm produces positive voltage on pin 2 with respect to pin 3
Weight	Net: 0.12 kg (0.025 lbs)
Power Requirements	48Vdc \pm 4 Vdc phantom



Furnished Accessories

RPM626	In-Line Preamp	95A2314	Carrying/Storage Bag
A98D	Beta 98 Drum Mount (98D/S)	C98D	4.6 m (15 ft.) Heavy-Duty Cable (BETA 98D/S)
RK282	Shock-Mount Swivel Adapter (98D/S)	95A2398	7.6 m (25 ft.) light-weight cable (BETA 98/S)

Polar Pattern



Frequency Response

