

# SHURE®

LEGENDARY  
PERFORMANCE™

WIRED MICROPHONE

## VP82

Compact Shotgun Microphone  
Microphone canon compact  
Kompaktes Richtrohrmikrofon  
Micrófono de cañón compacto  
Microfono a canna di fucile compatto  
Компактный линейный микрофон  
コンパクトショットガンマイクロホン  
컴팩트 샷건 마이크  
紧凑型枪式话筒



[www.shure.com](http://www.shure.com)

© 2014 Shure Incorporated

Printed in U.S.A.

27A22327 (Rev. 2)

## General Description

The VP82 is a professional shotgun microphone for use in sound capture and reinforcement. Compact and lightweight, with wide aperture and excellent off-axis rejection, the VP82 is the affordable and reliable choice for camera-mounted A/V media production applications.

## Features

- Premier production microphone crafted with Shure quality, ruggedness, and reliability
- Highly directional, uniform polar pattern optimized for distant pickup
- Low self-noise and high output level
- Lightweight, compact design accommodates prolonged operation, minimizing operator fatigue attributed to many shotgun microphones
- Class A, discrete, transformerless preamplifier provides transparent, extremely fast transient response with no crossover distortion and minimal harmonic and intermodulation distortion
- Aircraft-grade aluminum alloy construction resists wear and abuse
- Operates over a wide range of temperatures and humidity

## Rycote Custom Accessories

Shure offers custom Rycote® suspension mounting and wind-protection solutions designed for Shure VP shotgun microphones.

## Wind-Protection

Use the supplied foam windscreen to reduce wind-noise. For increased protection, Shure offers two premium Rycote® windshield accessories:

- **Softie Windshield:** Attenuates up to 25 dB of wind-noise.
- **Suspension Windshield Kit:** Attenuates up to 38 dB of wind-noise while preserving critical high frequencies. Included Lyre suspension mounts provide up to 25 dB of isolation.

## Suspension Mounts

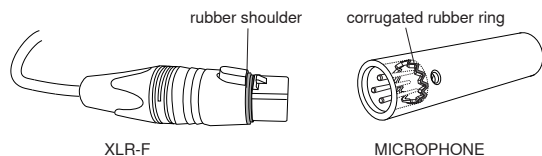
Shure offers four Rycote® Softie Lyre Mounts to reduce handling noise and low-frequency vibrations by up to 15 dB:

- **InVision Video:** Secures directly onto standard camera shoe.
- **Camera Clamp Adapter (CCA):** Fits into a standard camera clamp.
- **Pistol Grip:** Adjustable handheld mount.

**Note:** All Softie Lyre Mounts (except InVision Video) are equipped with 3/8" and 5/8" female threaded adapters for additional mounting options.

## XLR Connector Gasket

This microphone is supplied with a small corrugated rubber ring in the XLR connector to absorb the mechanical slack between the microphone and cable. Many high-end cables are made with a rubber shoulder on the XLR-F for the same purpose. When connecting this microphone to a cable with a rubber shoulder XLR-F connector, remove the corrugated rubber ring from the microphone to ensure a proper fit.



## Load Impedance

Maximum SPL capability, output clipping level, and dynamic range vary with the input load impedance of the preamplifier to which the microphone is connected. Shure recommends a minimum input load impedance of 1000 Ohms. Most modern microphone preamplifiers meet this requirement. Higher impedance results in better performance for these specifications.

## Power Requirements

This microphone requires phantom power and performs best with a 48 V DC supply (IEC-61938), but it can operate with supplies as low as 11 V DC. Most modern mixers provide phantom power and require the use of a **balanced** microphone cable: XLR-to-XLR or XLR-to-TRS.

## Specifications

<b>Cartridge Type</b>	Electret Condenser	
<b>Polar Pattern</b>	Supercardioid/lobar	
<b>Frequency Response</b>	90 to 20,000 Hz	
<b>Output Impedance</b>	144 Ω	
<b>Sensitivity</b> open circuit voltage, @ 1 kHz, typical	-36.0 dBV/Pa <sup>[1]</sup> (15.8 mV)	
<b>Maximum SPL</b> 1 kHz at 1% THD <sup>[2]</sup>	<b>2500 Ω load:</b>	137.5 dB SPL
	<b>1000 Ω load:</b>	131.5 dB SPL
<b>Signal-to-Noise Ratio<sup>[3]</sup></b>	79 dB	
<b>Dynamic Range</b> @ 1 kHz	<b>2500 Ω load:</b>	122.5 dB
	<b>1000 Ω load:</b>	116.5 dB
<b>Clipping Level</b> @ 1 kHz, 1% THD	<b>2500 Ω load:</b>	7.0 dBV
	<b>1000 Ω load:</b>	0.0 dBV
<b>Self Noise</b> equivalent SPL, A-weighted, typical	15.0 dB SPL-A	
<b>Common Mode Rejection</b> 20 to 20,000 Hz	≥55 dB	
<b>Operating Temperature Range</b>	-18°C (0°F) to 57°C (135°F)	
<b>Storage Temperature Range</b>	-29°C (-20°F) to 74°C (165°F)	
<b>Operating Relative Humidity</b>	0 to 95%	
<b>Polarity</b>	Positive pressure on diaphragm produces positive voltage on pin 2 with respect to pin 3	
<b>Housing</b>	Satin-black vinyl painted aluminum alloy with stainless steel screen	
<b>Power Requirements</b>	11–52 V DC <sup>[4]</sup> phantom power (IEC-61938), <2.0 mA	
<b>Net Weight</b>	76 g (2.7 oz.)	

<sup>[1]</sup> 1 Pa=94 dB SPL

<sup>[2]</sup>THD of microphone preamplifier when applied input signal level is equivalent to cartridge output at specified SPL

<sup>[3]</sup>S/N ratio is the difference between 94 dB SPL and equivalent SPL of self noise, A-weighted

<sup>[4]</sup>All specifications measured with a 48 Vdc phantom power supply. The microphone operates at lower voltages, but with slightly decreased headroom and sensitivity.

## Furnished Accessories

Accessoires fournis  
Mitgeliefertes Zubehör

Accesorios suministrados  
Accessori in dotazione

Принадлежности,  
входящие в комплект

付属アクセサリー  
기본 제공 액세서리 提供的附件

### Zippered Carrying Bag

Fourre-tout pour le transport à fermeture éclair

Tragetasche mit Reißverschluss

Bolsa para transporte con cremallera

Custodia con cerniera, adatta per il trasporto

Футляр на застежке-молнии

ジッパー付きキャリングバッグ

지퍼가 부착된 휴대용 백

拉链便携包



### Foam Windscreen

Bonnette anti-vent en mousse

Schaumstoff-Windschutz

Paravientos de espuma

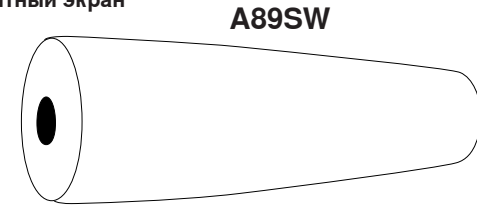
Antivento in schiuma poliuretanica

Пенопластовый ветрозащитный экран

폼 윈드스크린

폼 윈드스크린

海绵防尘罩



5/8" to 3/8" Thread Adapter	31A1856
Adaptateur de filetage 5/8" à 3/8"	
5/8 Zoll zu 3/8 Zoll Gewindeadapter	
Adaptador roscado de 5/8 a 3/8 pulg	
Adattatore con filettatura da 5/8 a 3/8 di pollice	
Резьбовой переходник 5/8 на 3/8 дюйма	
5/8" - 3/8"ネジアダプター	
5/8" 에서 3/8" 스레드 어댑터	
5/8 英寸至 3/8 英寸螺纹转接器	

Microphone Clip	A57F
Pince de microphone	
Mikrofonklemme	
Pinza para micrófono	
Clip per microfono	
Зажим для микрофона	
マイククリップ	
마이크 클립	
话筒夹	

## Optional Accessories

Accessoires en option  
Optionales Zubehör

Accesorios opcionales  
Accessori in opzionali

Дополнительные  
принадлежности

オプションの付属品  
옵션 액세서리 可选配附件

### Rycote® Windshield Kit

Kit de bonnette de protection

Windschutzsatz

Juego de paravientos

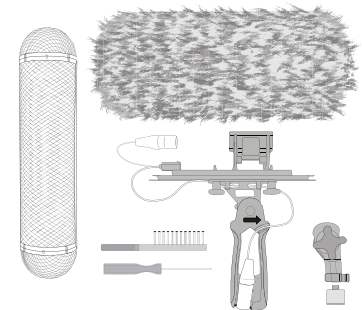
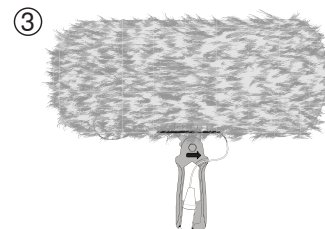
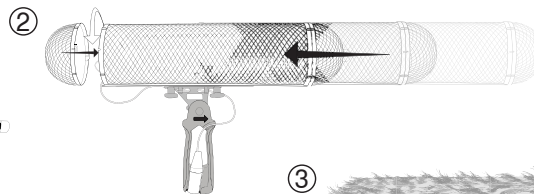
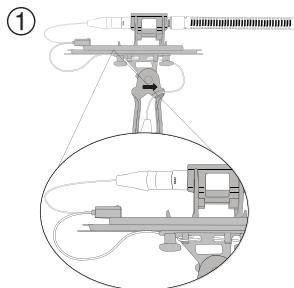
Kit antivento

Комплект ветрозащитного подвеса

ウィンドシールドキット

윈드실드 키트

防风套件



A89SW-KIT

**Rycote® Softie Windshield**

Bonneste de protection Softie

Softie-Windschutz

Paravientos Softie

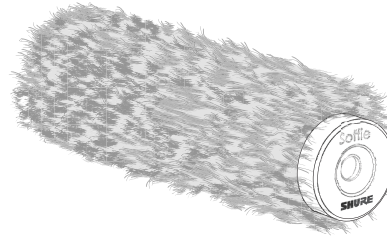
Antivento Softie

Ветрозащитный экран Softie

ソフトィウィンドシールド

Softie Windshield:

柔性防风罩

**A89SW-SFT****Rycote® Softie Lyre Mount with InVision Video (Shoe)**

Monture Softie Lyre avec InVision Video (griffe)

Softie Lyre-Erschütterungsabsorber mit InVision Video (Schuh)

Montaje Softie Lyre con InVision Video (zapata)

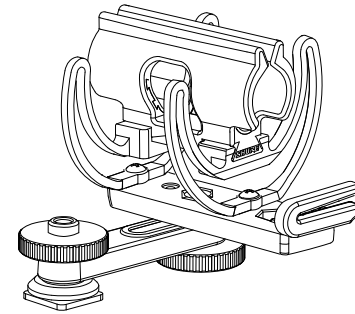
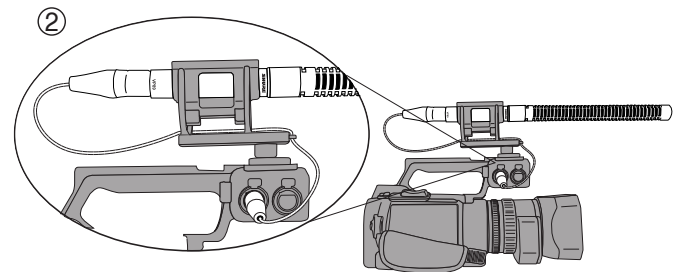
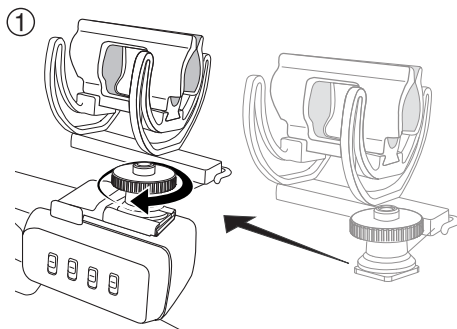
Supporto a lira Softie con InVision Video (slitta)

Опора Softie Lyre Mount с InVision Video (башмак)

用InVisionビデオ (シュー) 使用ソフトィリラマウント

InVision Video (Shoe)를 사용하는 Softie Lyre Mount

的帶 InVision Video 熱靴 Softie Lyre 固定件

**A89M-SH**



### Rycote® Softie Lyre Mount with Pistol Grip

Monture Softie Lyre avec poignée-pistolet

Softie Lyre-Erschütterungsabsorber mit Pistolengriff

Montaje Softie Lyre con empuñadura tipo pistola

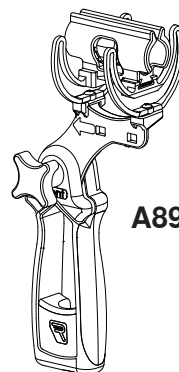
Supporto a lira Softie con impugnatura a pistola

Опора Softie Lyre Mount с пистолетной рукояткой

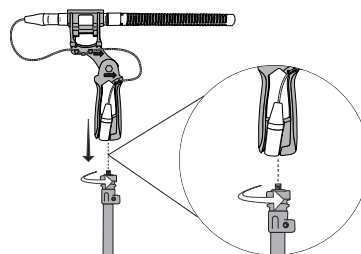
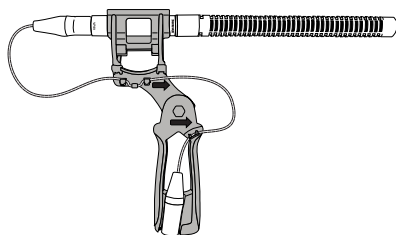
ピストルグリップ使用ソフティリラマウント

용 피스틀 그립을 사용하는 Softie Lyre Mount

的手枪式握把的 Softie Lyre 固定件



A89M-PG



### Rycote® Softie Lyre Mount with Camera Clamp Adapter

Monture Softie Lyre avec adaptateur de pince pour caméra

Softie Lyre-Erschütterungsabsorber mit Kameraklemmadapter

Montaje Softie Lyre con adaptador para pinza de cámara

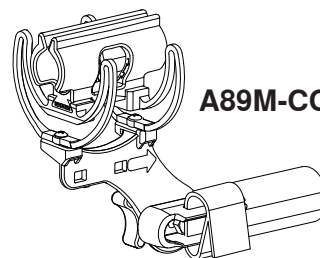
Supporto a lira Softie con adattatore del morsetto per videocamera

Опора Softie Lyre Mount с адаптером CCA

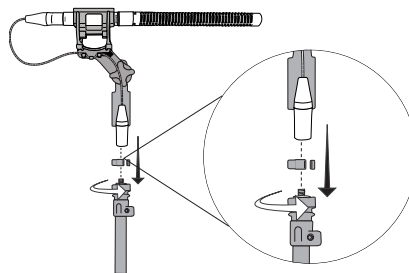
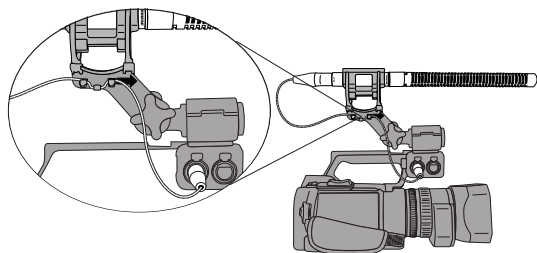
用カメラクランプアダプタ使用ソフティリラマウント

용 카메라 클램프 어댑터를 사용하는 Softie Lyre Mount

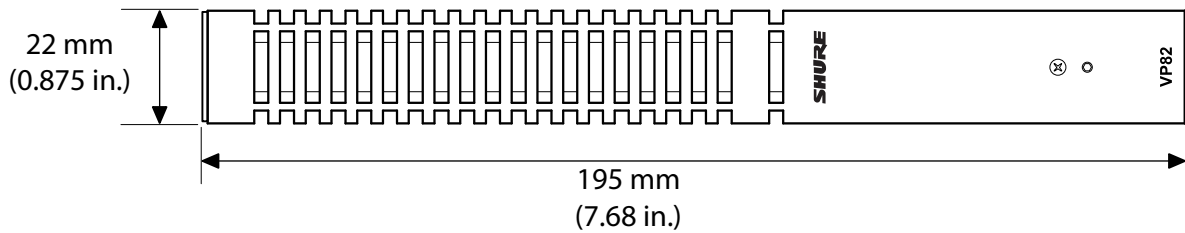
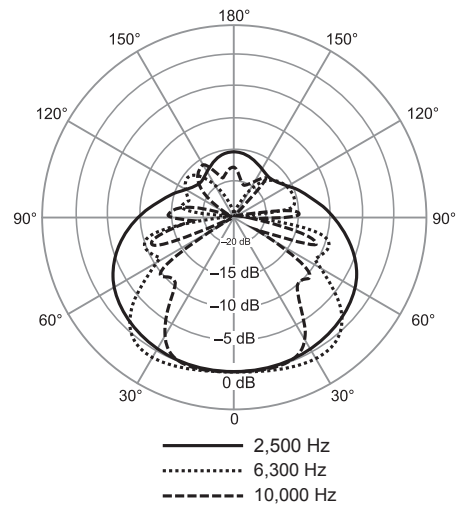
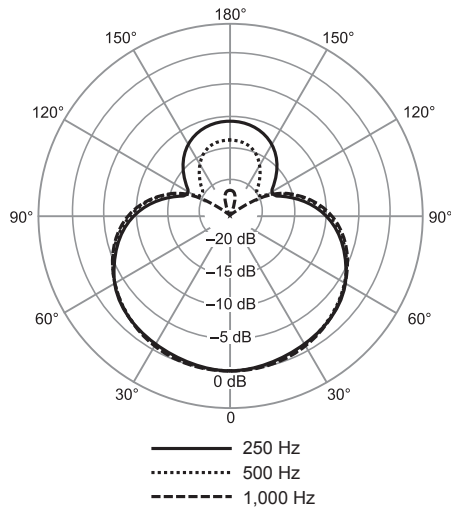
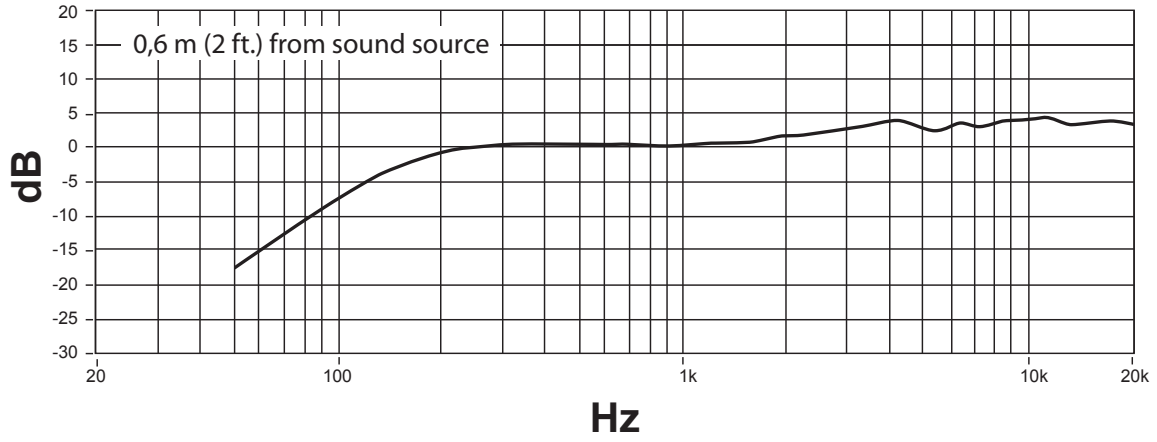
的相机夹具转接器 Softie Lyre 固定件



A89M-CC



# VP82



## Certifications

Eligible to bear CE Marking. Conforms to European EMC Directive 2004/108/EC. Meets Harmonized Standards EN55103-1:1996 and EN55103-2:1996, for residential (E1) and light industrial (E2) environments.

The CE Declaration of Conformity can be obtained from: [www.shure.com/europe/compliance](http://www.shure.com/europe/compliance)

Authorized European representative:  
Shure Europe GmbH  
Headquarters Europe, Middle East & Africa  
Department: EMEA Approval  
Jakob-Dieffenbacher-Str. 12  
75031 Eppingen, Germany  
Phone: 49-7262-92 49 0  
Fax: 49-7262-92 49 11 4  
Email: [info@shure.de](mailto:info@shure.de)

**Note:** Information in this guide is subject to change without notice. For additional information about this product, please visit [www.shure.com](http://www.shure.com).

## Homologations

Autorisé à porter la marque CE. Conforme à la directive européenne CEM 2004/108/CE. Conforme aux normes harmonisées EN55103-1:1996 et EN55103-2:1996 pour les environnements résidentiels (E1) et d'industrie légère (E2).

La déclaration de conformité CE peut être obtenue auprès de : [www.shure.com/europe/compliance](http://www.shure.com/europe/compliance)

Représentant agréé européen :  
Shure Europe GmbH  
Siège Europe, Moyen-Orient et Afrique  
Service : Homologation EMA  
Jakob-Dieffenbacher-Str. 12  
75031 Eppingen, Allemagne  
Téléphone : 49-7262-92 49 0  
Télécopie : 49-7262-92 49 11 4  
Courriel : [info@shure.de](mailto:info@shure.de)

**Remarque :** Les informations dans ce guide sont sujettes à modification sans préavis. Pour plus de détails sur ce produit, visiter [www.shure.com](http://www.shure.com).

## Zulassungen

Zur CE-Kennzeichnung berechtigt. Entspricht der europäischen Richtlinie zur elektromagnetischen Verträglichkeit 2004/108/EG. Entspricht den Anforderungen der harmonisierten Normen EN55103-1:1996 und EN55103-2:1996 für Wohngebiete (E1) und Leichtindustriegebiete (E2).

Die CE-Übereinstimmungserklärung ist erhältlich bei: [www.shure.com/europe/compliance](http://www.shure.com/europe/compliance)

Bevollmächtigter Vertreter in Europa:  
Shure Europe GmbH  
Zentrale für Europa, Nahost und Afrika  
Abteilung: EMEA-Approval  
Jakob-Dieffenbacher-Str. 12  
75031 Eppingen, Deutschland  
Telefon: +49 (0) 7262 9249 0  
Telefax: +49 (0) 7262 9249 114  
E-Mail: [info@shure.de](mailto:info@shure.de)

**Hinweis:** Änderungen der Informationen in diesem Handbuch vorbehalten. Weitere Informationen über dieses Produkt finden Sie im Internet: [www.shure.de](http://www.shure.de).

## Certificaciones

Califica para llevar la marca CE. Cumple con la directiva europea de EMC 2004/108/EC. Satisface las normas armonizadas EN55103-1:1996 y EN55103-2:1996 para entornos de uso residencial (E1) e industrial ligero (E2).

La declaración de homologación de CE se puede obtener en: [www.shure.com/europe/compliance](http://www.shure.com/europe/compliance)

Representante europeo autorizado:  
Shure Europe GmbH  
Casa matriz en Europa, Medio Oriente y Africa  
Departamento: Aprobación para región de EMEA  
Jakob-Dieffenbacher-Str. 12  
75031 Eppingen, Alemania  
Teléfono: 49-7262-92 49 0  
Fax: 49-7262-92 49 11 4  
Correo electrónico: [info@shure.de](mailto:info@shure.de)

**Nota:** La información contenida en esta guía está sujeta a cambios sin previo aviso. Para información adicional sobre este producto, visite [www.shure.com](http://www.shure.com).

## Omologazioni

Contrassegnabile con la marcatura CE. Conforme alla Direttiva europea sulla compatibilità elettromagnetica 2004/108/CE. Conforme alle norme armonizzate EN55103-1:1996 ed EN55103-2:1996 per l'uso in ambienti domestici (E1) e industriali leggeri (E2).

La Dichiarazione di conformità CE può essere ottenuta da: [www.shure.com/europe/compliance](http://www.shure.com/europe/compliance)

Rappresentante europeo autorizzato:  
Shure Europe GmbH  
Sede per Europa, Medio Oriente e Africa  
Department: EMEA Approval  
Jakob-Dieffenbacher-Str. 12  
75031 Eppingen, Germania  
Telefono: 49-7262-92 49 0  
Fax: 49-7262-92 49 11 4  
E-mail: [info@shure.de](mailto:info@shure.de)

**Nota:** le informazioni contenute nella presente guida sono soggette a modifiche senza preavviso. Per ulteriori informazioni su questo prodotto, visitate il sito [www.shure.com](http://www.shure.com).

## Сертификация

Предоставлено право маркировки CE. Соответствует требованиям европейской директивы 2004/108/ЕЕС по ЭМС. Соответствует требованиям гармонизированных стандартов EN55103-1:1996 и EN55103-2:1996 на оборудование для жилых районов (E1) и районов с легкими промышленными условиями (E2).

Декларацию соответствия CE можно получить по следующему адресу: [www.shure.com/europe/compliance](http://www.shure.com/europe/compliance)

Уполномоченный европейский представитель:  
Shure Europe GmbH  
Headquarters Europe, Middle East & Africa  
Department: EMEA Approval  
Jakob-Dieffenbacher-Str. 12  
75031 Eppingen, Germany  
Телефон: 49-7262-92 49 0  
Факс: 49-7262-92 49 11 4  
Эл. почта: [info@shure.de](mailto:info@shure.de)

**Примечание.** Информация, содержащаяся в этом руководстве, может быть изменена без предварительного уведомления. Для получения дополнительной информации об этом изделии посетите вебсайт [www.shure.com](http://www.shure.com).

## 認證

CEマーキングに適合。欧州EMC指令2004/108/ECに適合。住宅(E1)および軽工業(E2)環境に関し、EN55103-1:1996およびEN55103-2:1996の整合規格に対応。

CE適合宣言書は以下より入手可能です:[www.shure.com/europe/compliance](http://www.shure.com/europe/compliance)

ヨーロッパ認可代理店:  
Shure Europe GmbH  
ヨーロッパ、中東、アフリカ地区本部:  
部門:EMEA承認  
Jakob-Dieffenbacher-Str. 12  
75031 Eppingen, Germany  
Tel: 49-7262-92 49 0  
Fax: 49-7262-92 49 11 4  
Eメール: [info@shure.de](mailto:info@shure.de)

**注:** 本ガイドの情報は予告なく変更される場合があります。本製品の詳細情報については、[www.shure.com](http://www.shure.com)をご覧ください。

## 인증

CE 마크에 적합. 유럽 EMC Directive 2004/108/EC를 준수합니다. 주거용 (E1) 및 경공업용 (E2) 환경을 위한 표준 EN55103-1:1996 과 EN55103-2:1996 에 부합합니다.

CE 적합성 선언은 다음 사이트에서 확인할 수 있습니다: [www.shure.com/europe/compliance](http://www.shure.com/europe/compliance)

공인 유럽 대리점:  
Shure Europe GmbH  
유럽, 중동, 아프리카 본부  
부서: EMEA 승인  
Jakob-Dieffenbacher-Str. 12  
75031 Eppingen, Germany  
전화: 49-7262-92 49 0  
팩스: 49-7262-92 49 11 4  
이메일: [info@shure.de](mailto:info@shure.de)

**주:** 이 안내서의 정보는 별도의 통지 없이 변경될 수 있습니다. 이 제품에 관한 추가 정보를 보시려면, [www.shure.com](http://www.shure.com)을 방문하여 주십시오.

## 认证

允许使用 CE 标志。符合欧盟 EMC 指导原则 2004/108/EC。符合 Harmonized 标准 EN55103-1 : 1996 和 EN55103-2 : 1996 适用于民用 (E1) 和轻工业 (E2) 环境。

可从以下地址获得“CE 符合性声明”：[www.shure.com/europe/compliance](http://www.shure.com/europe/compliance)

授权的欧洲代表：  
Shure Europe GmbH  
欧洲、中东、非洲总部  
部门：欧洲、中东、非洲批准部  
Jakob-Dieffenbacher-Str.12  
75031 Eppingen, Germany  
电话：49-7262-92 49 0  
传真：49-7262-92 49 11 4  
电子邮件： [info@shure.de](mailto:info@shure.de)

**注意：**本指南中的信息可能随时更改，恕不另行通知。有关本产品的详细信息，请访问 [www.shure.com](http://www.shure.com)。





**SHURE**<sup>®</sup>  
LEGENDARY  
PERFORMANCE™

United States, Canada,  
Latin America, Caribbean:  
Shure Incorporated  
5800 West Touhy Avenue  
Niles, IL 60714-4608 USA

Phone: +1 847-600-2000  
Fax: +1 847-600-1212 (USA)  
Fax: +1 847-600-6446  
Email: [info@shure.com](mailto:info@shure.com)  
[www.shure.com](http://www.shure.com)

Europe, Middle East, Africa:  
Shure Europe GmbH  
Jakob-Dieffenbacher-Str. 12,  
75031 Eppingen, Germany

Phone: +49-7262-92490  
Fax: +49-7262-9249114  
Email: [info@shure.de](mailto:info@shure.de)  
[www.shure.eu](http://www.shure.eu)

Asia, Pacific:  
Shure Asia Limited  
22/F, 625 King's Road  
North Point, Island East  
Hong Kong

Phone: +852-2893-4290  
Fax: +852-2893-4055  
Email: [info@shure.com.hk](mailto:info@shure.com.hk)  
[www.shureasia.com](http://www.shureasia.com)