

SPECIFICATION FOR APPROVAL

MANUFACTURER: Unilumin Group Co., Ltd.
PRODUCT MODEL. : L2-130F
APPROVAL REV. : V1.0
ISSUE DATE: 2022-06-22

Unilumin Group Co., Ltd. Approved			
SUPPLIER	DRAFTED	CHECKED	APPROVED

Address: 112 Yongfu Rd., Qiaotou Village, Fuyong Town, Baoan District, Shenzhen 518103 China.

Telephone: +86-(0)755-29918999

Fax: +86-(0)755-29912092

Copyright statement

1. The copyright of this document belongs to Unilumin Group Co., Ltd.
2. Without the signed permission of Unilumin Group Co., Ltd, any other individual or organization shall not extract, reprint, copy, translate, edit, tamper with, publish or store this document in the retrieval system for application in other occasions in any form;
3. If there is any modification in this specification, please refer to the revision record. The right to make and interpret the document belongs to Unilumin Group Co., Ltd.

Copyright © 2022 Unilumin Group Co., Ltd. All Rights reserved

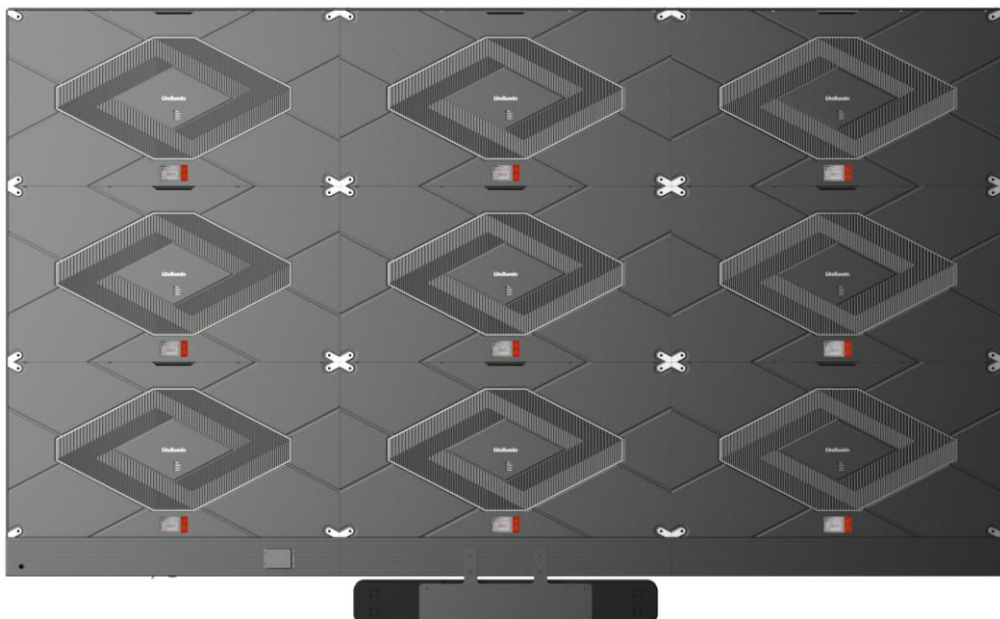
1. Scope of application This specification is applicable to the L2-130F (F refers to FHD).

2. Product elevation

2.1 Front elevation



2.2 Back elevation



3. Function introduction

- 3.1 Equipped with Android 8.0 OS, high-performance Hisilicon 811 chip, SoC four core processor solution;
- 3.2 Equipped G51*4 GPU image processor, support 2K or 4K standard resolution HDMI signal input;
- 3.3 Built-in screen cast function, high-definition display, video conferencing three basic applications, support 2.4G/5G dual WIFI mode and a maximum 3840*2160@60Hz HDMI input;
- 3.4 Support Unilumin external Yamaha speaker or other user' s professional speaker
- 3.5 Die-cast aluminum cabinet to ensure the flatness. Slim, light and ultra-narrow bezel design make the appearance simple and bring visual enjoy for users;
- 3.6 Theme UI and Unilumin HiBoard. Equipped with a remote controller to meet the user's common settings.
- 3.7 One-button switch design, hierarchical power-on design protection, standby power consumption $\leq 10W$, low noise operation, no debugging, no training, easy to use, support OTA online upgrade and software maintenance;
- 3.8 Wireless screen sharing, one-click quick sharing of content, support mobile phone, tablet, laptop one-click wireless screen sharing, maximum 4 pictures;
- 3.9 UMS conference management platform, intelligent meeting reservation and quick sign-In with QR code, meeting schedule sharing and meeting minutes distribution, applicable to various office scenarios, such as business office,

enterprise training, marketing display, remote collaboration, etc.

3.10 Support wall mount, floor standing and movable installation according to the environment;

3.11 Pass CCC, CQC energy saving, the third party CNAS, ILAC-MRA, CMA quality test, CE/CB certification.

4.Specifications

Specifications		L2-130F
Basic specifications	Display Size (inch)	130.1
	Screen ratio	16:9
	Screen Resolution	1920 (W) x1080(H)
	Pixel Pitch (mm)	1.50
	Display area ratio	92%
	Visible Area (m ²)	4.6656
	Overall Dimensions (WxH mm)	2891x1746.
	Depth (mm)	28
	Flatness (mm)	≤0.2
	Weight (kg)	93
	Materia	Die-Cast Aluminum
	Trim Material/Color	Profile/Grey
	Maintenance Method	Fully front
	OTA upgrade	Support
	Installation Method	Wall mount/ Embedded wall mount
	Certification	CCC,CQC,CNAS/ /CMA,CE/CB
Warranty	1 year	
Display	LED type	SMD1212

specifications	LED lifespan (Hrs)	≥100000
	Viewing angle (°)	160 (H) /V160 (V)
	luminous point variation	≤0.20
	Brightness (nit)	600nit after calibration
	Pixel level brightness calibration	Support
	Brightness uniformity	≥98%
	Refresh Rate (Hz)	3840
	Frame rate (Hz)	50/60
	Greyscale (bit)	14
	Contrast ratio	≥5000:1
	Color temperature(K)	2000~9300 adjustable
	Pixel level color calibration	Support
	Color uniformity	Within ±0.003Cx,Cy
Cotroller specifications	OS	Andriod8.0
	CPU	Hisilicon V811
	ROM	4GB DDR
	Memory	32GB
	Interface	HDMI inx2/USB3.0x1/USB2.0x2/SPDIF out x1/RS232 x1/RJ45x1
	Serial port (DB9) protocol	Support RS232
	Ethernet	100M
	WiFi/STA	2.4g
	WiFi hotspot	5g
	Bluetooth	Not support
	OSD	Support
	Remote controller	Support
One click On/Off	Support	

Speaker(Optional)	Fixing method	external
	Brand	Yamaha
	Power consumption	30W
	Interface	HDMIx1 input/ HDMIx1 output/Digital fiber/HDMI ARC
	Control	SoundBar Controller software/remote controller
	Feature	Support DTS decoding, Dolby stereo panoramic surround
Wireless screen sharing	Device supported	Windows7/8/10、iOS、Mac OS、Android5.0 or above
	Sharing method	Software or shaing device
Operation specifications	Space recommended	20 m ² ~40 m ²
	Operation voltage/ Current	AC 100 V ~ 240 V, 50/60Hz, 10A
	Standby power consumption(w)	≤10
	Average power consumption (w)	540W
	Maximum power consumption (w)	1800W
	Ingress protection	IP50
	Package	Corrugated box + electrostatic protection
	Operating temperature/humidity	-10°C~+45°C 10~80% RH
Storage temperature/humidity	-20°C~+55°C 10~85% RH	

5. Product accessories

5.1 Standard part

Item	QTY
Power cable	1PCS
Remote controller	1PCS
Warranty card	1PCS

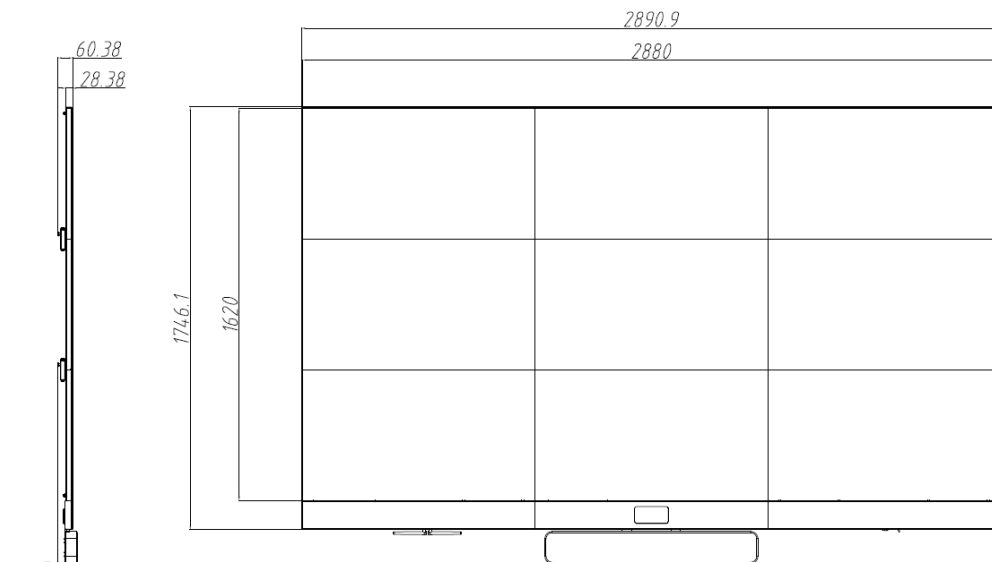
Certificate of approval	1PCS
User manual	1PCS
U Disk	1PCS
Front maintenance tool	1PCS
Spare module	2PCS
Other spare part	See packing list

5.2 Optional accessories

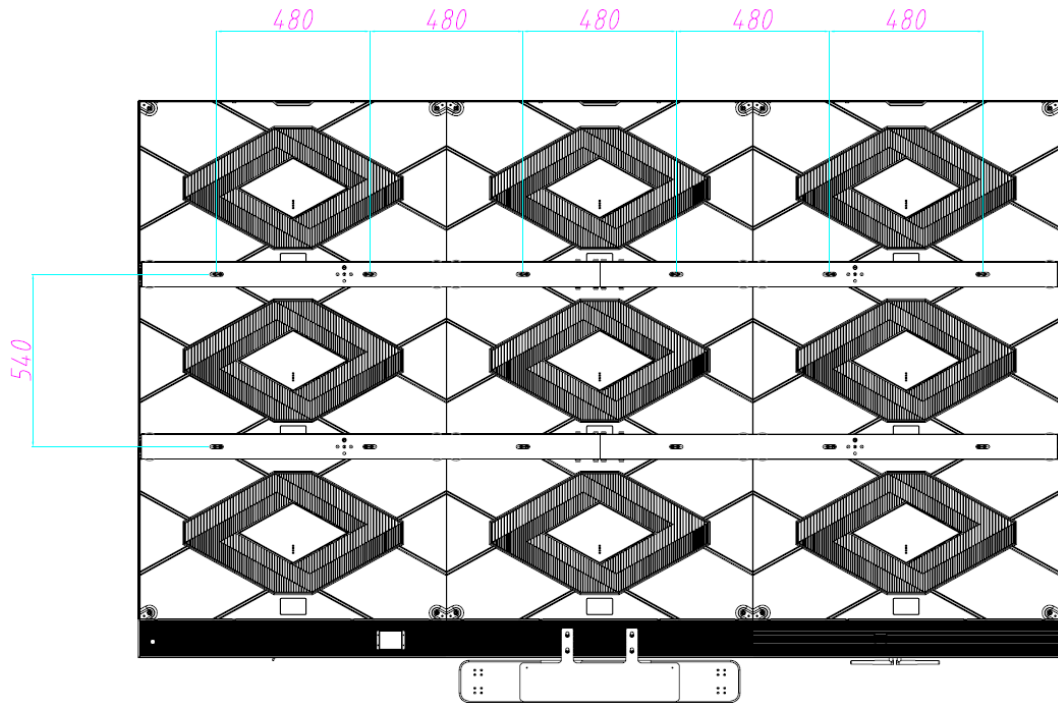
Item	Discription
Movable support	Optional according to the installation method
Screen Caster	The software will activated by factory
Speaker	(external) Yamaha

6.Product Apperance

6.1L2-130F



Front View



Back view

6.2 130inch movable support structure

