

LSSCM Series Ultra-thin Lift Monitor with MIC



Overview

Ultra-thin monitor lift is designed for advance multi-purpose paperless meeting rooms. When having the general meeting, the LCD and MIC can be hidden in the conference table to keep the desk clean and beautiful. The LCD can be used to display multimedia information alone, or in groups or all lifted in accordance with different needs, including conference content, information tips and image information and so on.

According to the different requirements of the meeting, the lifter can be controlled separately or in group through setting.

Function

- Up, down, stop of the lifter can be controlled by the panel button, remote control and central controller.
- When the lifter reaches the top, the LCD will turn to angle of elevation automatically.
- When the LCD screens drops, the lifter will close the door automatically.
- When the lifter drops, the door starts anti-pinch function.
- The lifter can realize remote control by RS232, RS485 protocol.
- Built-in digital chairman/delegate unit with model VIS-M410 410mm microphone and support lift up/down separately form Monitor

Specification

DISPLAY

Resolution.....1920*1080 Full HD model

Resolution.....3840*2160 4K model
Screen Ratio.....16:9
Brightness.....400 cd/m2
Contrast ratio.....1000:1
Viewing Angle(CR>10)..... 85/85/85/85(typ.)
Response Time..... 15(typ.)ms
LED backlit lifespan.....50000 hours
Power Consumption.....7W
Touch screen..... Optional
Input Signal.....HDMI
Control Method.....Panel button, remote control, RS232/RS485
Remote control distance30 meters
Angle of rotation.....15/30°
Working temperature.....-10°~45°
Working humanity.....<80%
Power supply.....AC110~220 50Hz
Power Consumption
LCD.....25W
Lifting Motor.....18W
Rotation Motor.....14W

MICROPHONE

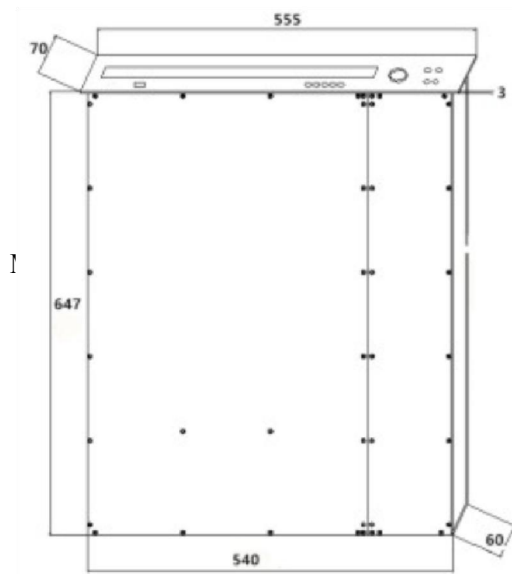
Sound Pickup..... heart type capacitance
Sensitivity.....-46 dBV / Pa
Maximum power consumption: 2.0W
Directivity.....0 ° / 180 °> 20 dB (1 kHz) Headphone
load..... 16Ω headphone volume.....10mW
Headphone jack.....3.5mm stereo
Input impedance.....2kΩ
SNR.....70dB
Frequency response.....20 ~ 20000Hz
Equivalent noise.....20dBA (SPL)
Color.....Black or Silver, Customized Color

Order Information

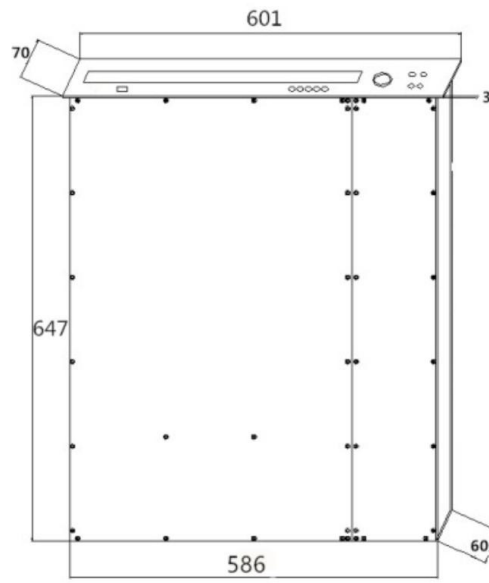
Model Number	VIS-15LSSCM	VIS-17LSSCM	VIS-18LSSCM	VIS-21LSSCM
Panel size(mm)	555*70*3	601*70*3	630*70*3	700*70*3
Bottom Case(mm)	540*60*647	586*60*647	615*60*717	685*60*717
Screen size	15.6inch	17.3inch	18.4inch	21.5inch
Resolution	1920 x 1080	1920 x 1080	3840 x 2160	1920 x 1080
Product Weight	13KG	15KG	17KG	18.5KG
Package Size	60.8x 13.2x 75cm	66x 13.2x 75cm	69x 13.2x 81.5cm	76x13.2x 81.5cm
Gross Weigh	14KG	16KG	18KG	19.5KG

Drawing

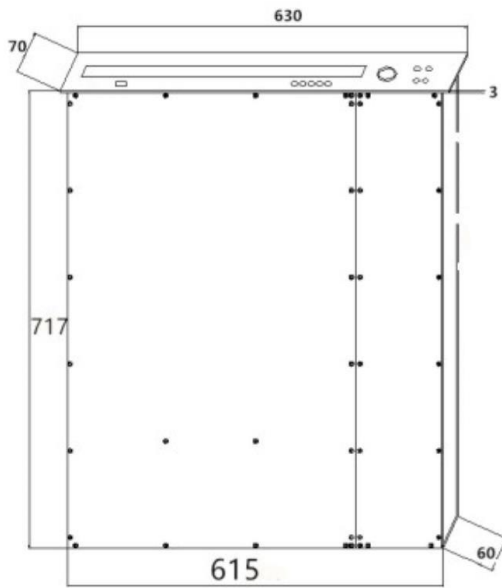
Model: VIS-15LSSCM



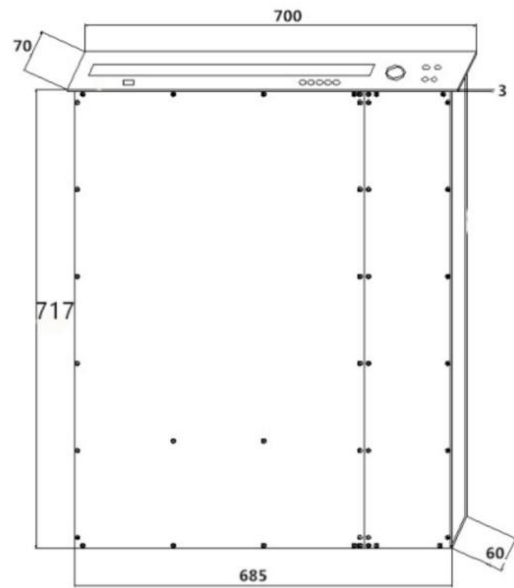
Model: VIS-17LSSCM



Model: VIS-18LSSCM



Model: VIS-21LSSCM



About VISSONIC Electronics Limited

Our mission is to develop and manufacture the most comprehensive and innovative audio visual products for our clients. We provide the best performance/price ratio products because it could give you satisfaction just from the time you use them, we believe the good design with cutting edge technology on products will provide value to all our partners and end users. Listen to your demands, we fulfill it.

VISSONIC

Building No.1, No. 9 KeJi St., Lanyusi St., Kaifa Rd., Economic development Zone, Huangpu district,
Guangzhou, China • Tel: +86-020-82515140 • E-mail: info@vissonic.com

@2020 VISSONIC Electronics Ltd. all rights reserved.