

VISSONIC

Professional Audio Video Manufacturer

Conference System

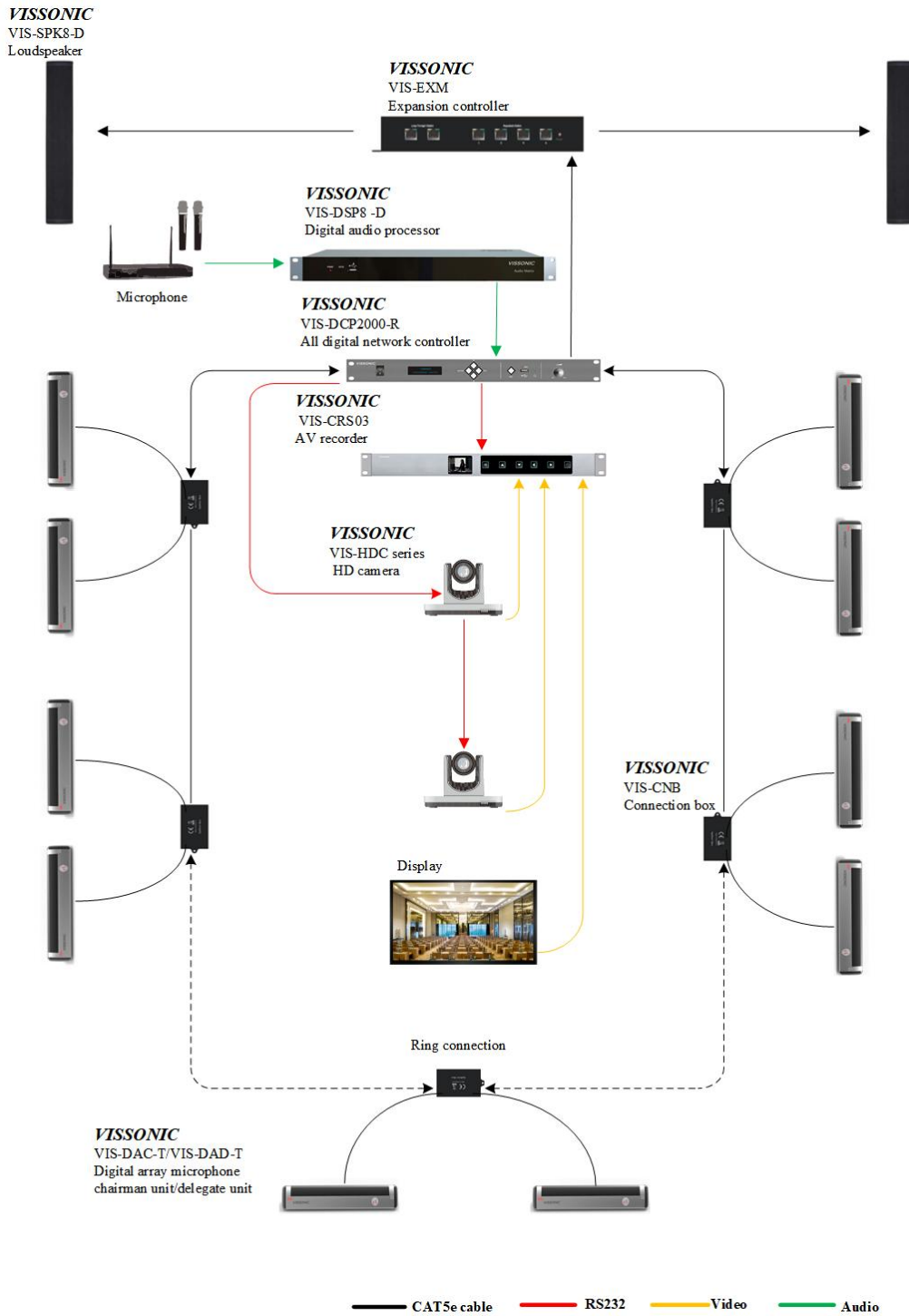
PRODUCT DATASHEET



VISSONIC ELECTRONICS LTD.

Think Solutions

Application diagram



Array Microphone Conference System, with High Tech in DSP unique Sound Processing

SONICON Array Microphone Conference System

Simple but elegant design

The whole housing is made Aluminum alloy and supply different colors for option to meet different conference tables. The compress appearance can be putted on the table and won't occupy extra space on front of speaker.

Excellent sound performance

Advanced voice processing technology, with the unique design of the microphone head, this unit can be accurate pickup and restore the human voice through a high-quality built-in speakers or an external PA system, original AUDIO-LINK digital ring network technology, Automatic Gain Control Volume (AGC) / automatic frequency control (AFC) technology help reach higher volume without triggering the howling effect, ensures each word spoken is well understood.

High tech intelligence platform

Timing function, overtime speaking reminder, network control and meeting management, conference Smart reservation, worldwide firmware real-time updates, the integration of IT technologies ensures smart conferencing platform, the SONICON series is one of them.

VIS-DCP2000-R

Full Digital Networked DSP Conference Processor for Array mic



Features

- The unique AUDIO-LINK digital ring network technology achieves full-digital signal transmission and processing.
- Single CAT5e cable transmits 64 channels of audio and various information
- All microphone units support audio, ID independent output. Working with voice recognition system to achieve voice role separation.
- High-fidelity sound quality, lossless audio transmission technology, 48K audio sampling frequency, 20Hz ~ 20KHz response frequency.
- A single conference controller can realize the independent control and merging of 4 conference rooms, can handle the cascade of multiple conference controllers to realize the merging and separation of larger conference rooms (including conference management, etc.).
- "Hand-in-Hand-Loop-Network" connection makes the system always working perfectly no matter changing discussion unit or having any malfunctioned units.
- The sensitivity of the unit microphone and 8 segment equalizer EQ adjusted independently.
- The main controller comes with self-learning AFC automatic feedback algorithm, combined with array microphones, short-stem microphones to achieve ultra-long pickup distance.
- Support AGC (Automatic Gain Control)/AFC (Adaptive Feedback Cancellation)/ANC (Acoustics Noise Cancellation) Sound output by separated zones function, each zone is automatically adjusted according to the volume of the position of the microphone, achieve longer distances pickup without whistle.
- Echo cancellation, remote two-way real-time call with another conference controller or another third-party video conferencing terminal.
- USB recording, controller monitor, advanced noise cancellation technology to realize clearer recording.
- Display with date, time management, and support speech time, countdown speech.
- Optional DANTE output module with other DANTE equipment used.
- Can drive 2*120W POE speaker through extension main unit, support up to 16 POE speakers.

Functions

- Compliance with IEC 60914, GBT 15381-94.
- Connecting with VIS-EXM extension main unit, it can expand to 5200 discussion units.
- "Hand-in-Hand-Loop-Network" connection and the system assigned to each unit independently ID to avoid ID conflict.

- Both wired/wireless discussion units can connect to the controller, fast and easily to adding delegate of meetings.
- Supports up to 8 wireless microphones to be turned on at the same time, adaptive avoiding interference technology to achieve stronger anti-interference ability, compliance with IEEE 802.11n standard Wi-Fi both for 2.4GHz and 5GHz.
- 2 channel audio input, XLR or RCA type, for local audio input or remote video-conferencing input.
- Maximum 8-channel audio output, XLR, RCA or Phoenix type, can be connected to simultaneous interpretation output or partitioned output.
- Add the audio input box, the system can be connected to other condenser microphones or dynamic microphones, more choices for users.
- Built-in multi-way internal communication function.
- TCP/IP connection between controller and PC
- RS232 central control, realize microphone switch, priority, volume and other controls.
- RS232 or RS485 to send the PELCO/VISCA protocol to realize camera auto-tracking function.
- Hot plug-and-play and auto-recovery function.
- Wide range of voltage from 100V~240VAC
- Without using PC software, our conference controller still owns following settings:
 - Limit on the number of speaking persons: By Setting the number of active units at the same time (Number is 1/2/4/6/ units), supports up to open 32 wired microphones in full-on mode.
 - Discussion modes:
"OPEN" Free for all, limited by the active units setting by controller, "VOICE" Can activate MIC by detecting sound without press button, "OVERRIDE" First in First out, "APPLY" To apply then to speak, "PTT" Press to speak (Optional), "ALL" Full open mode (Optional).
 - Voting function: Approve/Abstain/Object
 - Chairman unit has priority to close all other units or mute them temporarily
 - Chairman unit can approval the application for speaking from delegate
 - Simultaneous language interpretation
- With PC software to add more ways of voting:
 - Approve/Object
 - Approve/Abstain/Object
 - Level: 1/2/3/4/5
 - Ranking: --/-/0/+/++
- By using RFID card to identify, can realize voting with names.

Control & Indicators

LCD display to show all the operations and results

4-Way button for menu operate

One-button press to start recording

Recording light indicator

Master volume control knob

Interfaces

Front panel USB recording port

3.5mm headphone for monitoring
1x RCA audio input
1x XLR audio input
1x RCA audio output
1x XLR audio output
6x Phoenix connector audio output
2x RJ45 digital audio connection
2x RJ45 for chairman unit, delegate unit, unit translators and other connection
1x RJ45 for wireless AP or router
1x DP9 male port for external control
1x DP9 female port for camera
1x three-pin phoenix connector for camera control keyboard
1x RJ45 for computer connection or network switcher
1x grounding screw
1x 100 ~ 240V DC Power Interface

Technical Parameters

Power 100V / 240V AC
Static power consumption 12W
Maximum power consumption 150W
Frequency Response 20Hz ~ 20KHz
Noise ratio (S / N) >96dBA
Total harmonic distortion <0.05%
Channel Crosstalk > 85dB
Dynamic range >94dB
RS-232 control: 1×9-pole Sub-D female socket 1×9-pole Sub-D male socket
Ethernet control: RJ45 connected to PC
Mounting: 19" standard rack
Dimensions (mm) 483L x 260W x43.6H
Weight: 3kg
Black color

Max. audio inputs
LINE IN 1: +10dBu
LINE IN 2: +10dBu
Max. audio outputs
LINE OUT 1: +12dBu BAL.
LINE OUT 2: +12dBu BAL.
LINE OUT 3: +12dBu BAL.
LINE OUT 4: +12dBu BAL.

Transmission technology: WIFI 802.1n
Encryption technology: WPA2-PSK AES
Page 6

Working frequency: 5.2-5.8 GHZ

Output impedance: >1kΩ

PC communication method: TCP/IP

Camera control method: RS-232/UDP

Network Interface: RJ45

Display: LCD1602

Limit on the number of speakers: 1/2/4, max in 6 persons

Camera Tracking Protocol: PELCO-P/PELCO-D/VISCA

Operating temperature: 0 ~ 45°C

Storage temperature: 20 ~ 50°C

SONICON Series VIS-DAC-T/VIS-DAD-T

Digital Array Microphone Chairman/Delegate Unit



Features

- Stylish and modern design with touchable button
- ARRA-Tech™ Microphone array technology and the voice pick-up distance up to 120CM
- Priority button and approval button for chairman unit
- Standard CAT5e and RJ45 connectors are used in microphone to provide more convenient on project and maintenance.
- One 1.5m cable out to connect the splitter box and keep the table clear
- The unique AUDIO-LINK digital ring network technology achieves full-digital signal transmission and processing, completely avoiding the RF interference from cell phone or similar devices.
- Strong system robust by the "Hand-in-Hand-Loop-Network" connection technology
- Support Hot plug and play

Functions

- Compliance with IEC 60914, GBT 15381-94
- ARRA-Tech™ Microphone array technology improve sound up to 120CM. Using the built-in AGC technology, the acoustic transmission gain is increased. Using internal microphone capsules, the conference room looks tidy and clean.
- Single CAT5e cable transmits 64 channels of audio and various information.
- High fidelity sound by zero loss audio transmit technology, 48K audio sampling frequency, 20Hz~20KHz response frequency
- "Hand-in-Hand-Loop-Network" connection makes the system always working perfectly no matter changing discussion unit or having any malfunctioned units
- Conference controller can output 16 segment equalized EQ to achieve sound field adjustment; pressure limit, which can recognize the noise gate passed by human voice. AGC automatic volume gain control; AFC automatic feedback suppression and auto-mix technology.
- Hot plug-and-play and auto-recovery function.
- Chairman unit has the MIC switch button, priority and approval the application for speaking.
- Headphone port is available.
- This system assigned to each unit independently ID to avoid duplicate ID conflict
- AGC (Automatic Gain Control)/AFC (Adaptive Feedback Cancellation)/ANC (Active Noise Control)/Mix (Auto-Mix) technology
- Hot-swap for any system unit, and the controller has auto-recovery function
- Button for MIC ON/OFF, Priority & Apply Answer button for chairman unit

- Head-set interface is available
- Without using PC software, our conference controller still owns following settings:
 - Limit on the number of speaking persons: By Setting the number of active units at the same time (Number is 1/2/4/6/ units)
 - Discussion modes:
"OPEN" Free for all, limited by the active units setting by controller, "OVERRIDE" First in First out, "VOICE" Can activate MIC by detecting sound without press button, "APPLY" To apply then to speak
- Work with VIS-CDC series HD camera and VIS-CATC-A switcher, it can realize camera auto tracking function

Control & Indicators

Indicator for MIC ON/OFF

Chairman unit with priority button and consent button for the delegates

Interfaces

Pluggable gooseneck microphone base

1x 3.5mm stereo Headphone jack

1x CAT5 Cable with RJ45 jack

Technical Parameters

Button: Touchable interface

Sound Pickup: up to 120CM

Maximum power consumption: 1.0W

Headphone load: 16Ω

headphone volume: 10mW

Headphone jack: 3.5mm stereo

Input impedance: 2kΩ

SNR: 70dB

Frequency response: 20 ~ 20000Hz

Connection: CAT5 / CAT6 cable + RJ45

Equivalent noise: 20dBA (SPL)

Main material: Aluminum

Weight: 0.7kg

Dimension: 305L × 45W × 42H mm

Operating temperature: 0 °C to + 55 °C

Color: Silver or Black

Item Model for Order

VIS-DAC-T..... Digital Array Microphone Chairman Unit

VIS-DAD-T..... Digital Array Microphone Delegate Unit

VIS-CNB.....Connection Box for every two array microphones

SONICON Series VIS-DAC-F/VIS-DAD-F

Digital Array Microphone with lifting device



Simple but elegant design

The whole housing is made Aluminum alloy and supply different colors for option to meet different conference tables. The compress appearance can be putted on the table and won't occupy extra space on front of speaker.

Excellent sound performance

Advanced voice processing technology, with the unique design of the microphone head, this unit can be accurate pickup and restore the human voice through a high-quality built-in speakers or an external PA system, original AUDIO-LINK digital ring network technology, Automatic Gain Control Volume (AGC) / automatic frequency control (AFC) technology help reach higher volume without triggering the howling effect, ensures each word spoken is well understood.

High tech intelligence platform

Timing function, overtime speaking reminder, network control and meeting management, conference Smart reservation, worldwide firmware real-time updates, the integration of IT technologies ensures smart conferencing platform, the CLEACON is one of them.

Features

- Stylish and modern design with touchable button, flush mount on the desk with electrical lifting.
- ARRA-Tech™ Microphone array technology and the voice pick-up distance up to 120CM.
- Chairman unit has priority button and approve to speak button.
- Standard CAT5e with RJ45 connector as the connection cable, which is convenient for standardized engineering wiring installation and maintenance.

- One 1.5m cable out to connect the splitter box and keep the table clear.
- The unique AUDIO-LINK digital ring network technology achieves full-digital signal transmission and processing, anti the RF interference from cell phone or similar devices.
- "Hand-in-Hand-Loop-Network" connection, the system is more reliable.
- Hot plug-and-play.

Functions

- Compliance with IEC 60914, GBT 15381-94
- ARRA-Tech™ Microphone array technology improve sound pick-up distance up to 120CM. Using the built-in AGC technology, the acoustic transmission gain is increased. By hiding the mic capsule inside without gooseneck mic, the conference room looks tidy and clean. Even if the orator is moving in a larger area, the microphone can maintain a clear and stable pickup.
- The unique AUDIO-LINK digital ring network technology achieves full-digital signal transmission and processing, anti the RF interference from cell phone or similar devices.
- Single CAT5e cable transmits 64 channels of audio and various information.
- High-fidelity sound quality, lossless audio transmission technology, 48K audio sampling frequency, 20Hz~20KHz response frequency
- "Hand-in-Hand-Loop-Network" connection makes the system always working perfectly no matter changing discussion unit or having any malfunctioned units.
- This system assigned to each unit independently ID to avoid duplicate ID conflict
- Conference controller can output 16 segment equalized EQ to achieve sound field adjustment; pressure limit, which can recognize the noise gate passed by human voice. AGC automatic volume gain control; AFC automatic feedback suppression and auto-mix technology.
- Hot plug-and-play and auto-recovery function.
- Chairman unit has the MIC switch button, priority and approval the application for speaking.
- Headphone port is available
- Without using PC software, our conference controller still owns following settings:
 - Limit on the number of speaking persons: By Setting the number of active units at the same time (Number is 1/2/4/6/ units)
 - Discussion modes:
"OPEN" Free for all, limited by the active units setting by controller, "OVERRIDE" First in First out, "VOICE" Can activate MIC by detecting sound without press button, "APPLY" To apply then to speak
 - Chairman unit has priority to close all other units or mute them temporarily
 - Chairman unit can approval the application for speaking from delegate
- Combined with camera and camera tracking controller, it has an automatic camera tracking function.

Control & Indicators

Indicator for MIC ON/OFF

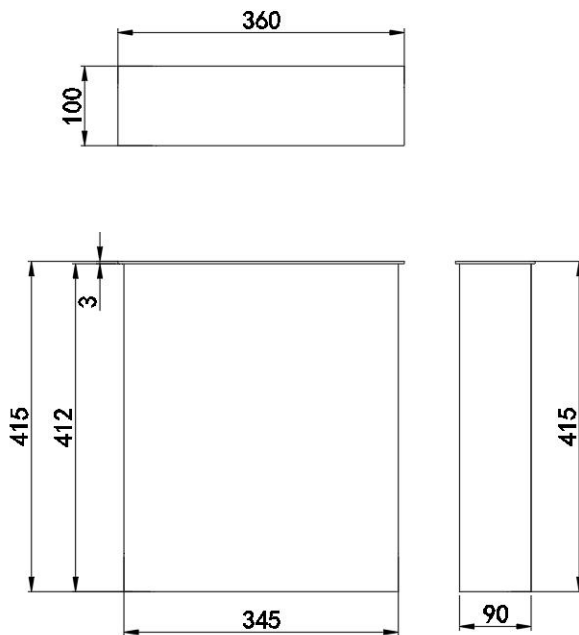
Chairman unit has priority button and approve to speak button

Interfaces

- 1x 3.5mm stereo Headphone jack
- 1x CAT5 Cable with RJ45 connector

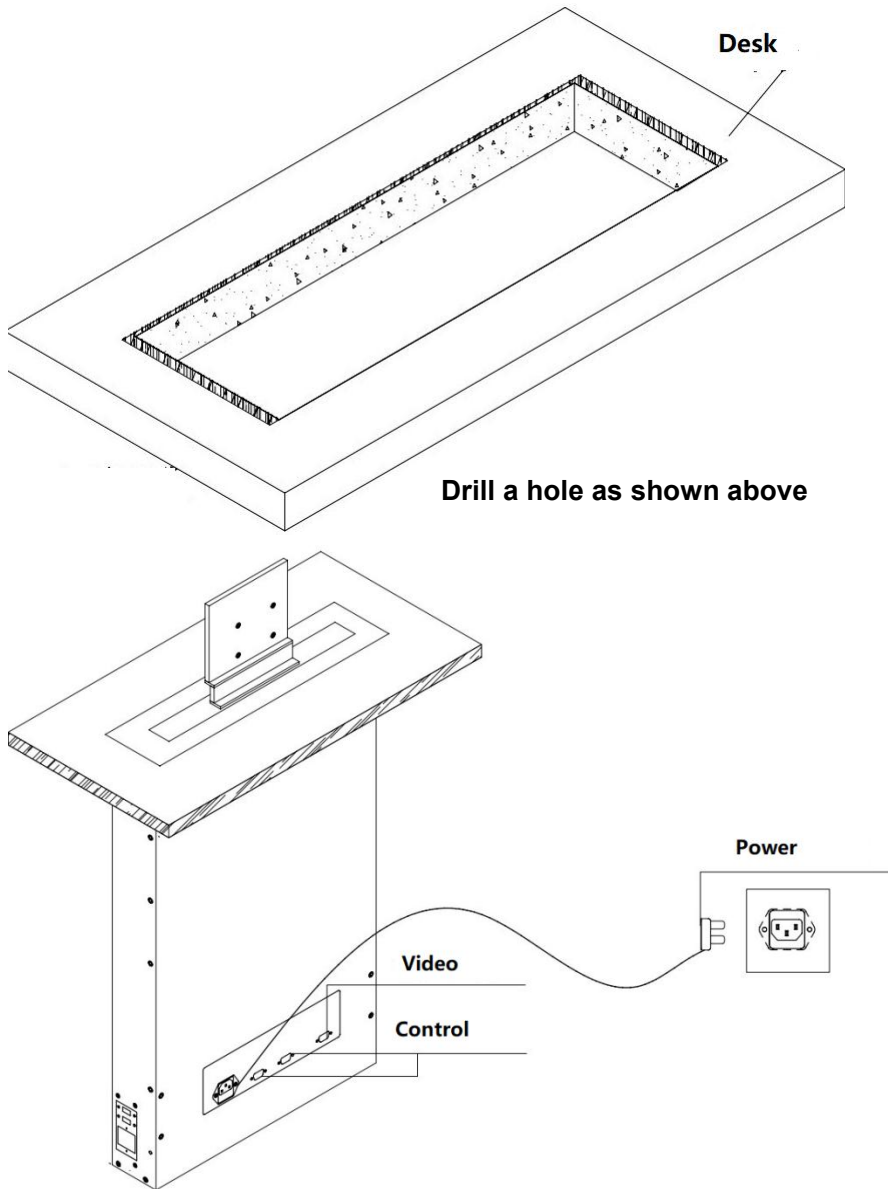
Technical Parameters

- Button: Touchable
- Sound Pickup: up to 120CM
- Maximum power consumption: 1.0W
- Headphone load: 16Ω
- headphone volume: 10mW
- Headphone jack: 3.5mm stereo
- Input impedance: 2kΩ
- SNR: 60dB
- Frequency response: 100 ~ 17000Hz
- Connection: CAT5 / CAT6 cable + RJ45
- Equivalent noise: 20dBA (SPL)
- Main material: Aluminum
- Weight: 6KG
- Panel Dimension: 360*100*3mm (L*W*T)
- Chassis: 345*90*412mm (L*W*H)
- Operating temperature: 0 °C to + 55 °C
- Color: Silver or Black



Cutting hole Dimension

- Panel: 361*101*3mm (L*W*T)
- Cutting hole: 347*92mm (L*W)



Drill a hole as shown above

Item Model for Order

- VIS-DAC-F.....Digital Array Microphone with lifting Chairman Unit
- VIS-DAD-F..... Digital Array Microphone with lifting Delegate Unit
- VIS-CNB.....Connection Box for every two array microphones

VIS-CNB

Splitter box



Features

- No noise design
- Compact size
- Splitting two channels for CU/DU

Functions

- To achieve loop wired architecture with star-type wired benefits
- Repeat 2 CU/DU channels for reducing the cables and different project requirements.
- No noise working design

Interfaces

2 x RJ45 loop ports and 2 xRJ45 for repeated chains ports

Technical Parameters

Dimension: 80Lx50Wx23Hmm

Weigth: 0.1KG

Item Model for Order

VIS-CNB..... Splitter box

VIS-EXM

Extension Main Unit



Features

- Expense four chains
- No fan and noiseless design
- Compact profile

Functions

- To achieve loop wired architecture with star wired benefits.
- Get 4 CU/DU channels.
- Work with no noise power supply to achieve "No fan, Noiseless" power enhancing.
- The distance between VIS-EXM extension main unit up to 100m

Control & Indicators

Power indicator

Loop through chains indicators

Repeated chains indicators

Grounded or Floating switch

Interfaces

Self-locking DC connector

4 x RJ45 loop ports or Microphone ports

2x RJ45 Loop through chains

Technical Parameters

Power: 3A 48VDC

Dimension: 223x37x92mm (W x H x D)

Weighth: 0.5KG

Item Model for Order

VIS-EXM.....Extension main unit

VIS-HL002/HL003/ HL005/ HL010/ HL020/ HL050/HL100

Professional CAT5E conference extension cables



Features

- TIA/EIA 568B CAT5E
- ISO/IEC 11801 ClassD
- CELENEC EN50173, EN50167, EN50169
- UL C(UL)&ETL Verified
- Pre-test by VISSONIC

Functions

- Extension cable for main unit to CU/DU unit
- Carry 48DC power and signals
- Male to Male cable
- Size from 2m to 100m

Interfaces

2x male RJ45

Technical Parameters

Standard: TIA/EIA 568B CAT5E

Connector: Shielded RJ45

Shielding: F/UTP

Resistance: 100ohm \pm 15%, 1MHz to 100MHz

Delay skew: 25ns/100m max

Gauge: 24AWG solid bare copper

Flame retardant rating: CM, IEC332/1

Storage Temperature: -20°C~80°C

Operation temperature: -20°C~60°C

Item Model for Order

- VIS-HL002..... 1.5m black shielded Cat5e U/FTP cable (shielded RJ45)
- VIS-HL003..... 3m black shielded Cat5e U/FTP cable (shielded RJ45)
- VIS-HL005..... 5m black shielded Cat5e U/FTP cable (shielded RJ45)
- VIS-HL010..... 10m black shielded Cat5e U/FTP cable (shielded RJ45)
- VIS-HL020..... 20m black shielded Cat5e U/FTP cable (shielded RJ45)
- VIS-HL050..... 50m black shielded Cat5e U/FTP cable (shielded RJ45)
- VIS-HL100..... 100m black shielded Cat5e U/FTP cable (shielded RJ45)

About VISSONIC Electronics Limited

Our mission is to develop and manufacture the most comprehensive and innovative audio visual products for our clients. We provide the best performance/price ratio products because it could give you satisfaction just from the time you use them, we believe the good design with cutting edge technology on products will provide value to all our partners and end users. Listen to your demands, we fulfill it.



4/F, Building 6, No. 50 Nanxiang 1st Road, Huangpu district, Guangzhou, China

• Tel: +86-020-82515140 • E-mail: info@vissonic.com

@2022 VISSONIC Electronics Ltd. all rights reserved.