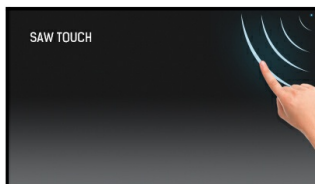




15" monitor with VA panel and Surface Acoustic Wave touch technology

The ProLite T1531SAW-B6 uses highly accurate Surface Acoustic Wave Touch Technology (SAW) with a pure-glass scratch resistive front, offering superior image clarity and screen durability. Featuring VA panel technology, it offers high contrast levels, making it an excellent choice for a vast array of demanding applications. The solid but flexible stand ensures resilience in the most demanding environments. Menu buttons are located on the side of the screen which can be locked to prevent tampering, and include a handy function to deactivate the touchscreen for cleaning. The Iiyama ProLite T1531SAW-B6 touchscreen is ideal for a wide range of applications including Point of Sale, Kiosks, Hospitality and Entertainment, Control rooms, Education, Training and many others.



Touch technology - Surface Acoustic Wave

Surface acoustic wave uses ultrasonic waves that pass over the panel. When the panel is touched, a portion of the wave is absorbed and a touch event is registered. Because the screen is covered with a glass layer this technology offers great picture performance (high contrast and colour accuracy). It is also scratch-resistant technology and therefore ideal for use in Public Places or Schools. Even if the screen is scratched, the touch function remains unaffected. Surface Acoustic Touch screens are activated with finger or a soft stylus touch.



Scratch resistance

Scratch resistance is essential for touch solutions used in public places and schools. This is achieved thanks to a glass overlay covering the screen. It guarantees high durability of the touch function and even more importantly the touch function remains unaffected even if the glass is scratched.

01 DISPLAY CHARACTERISTICS

Diagonal	15", 38cm
Panel	VA
Native resolution	1024 x 768 (0.8 megapixel)
Aspect ratio	4:3
Panel brightness	350 cd/m ²
Brightness	325 cd/m ² with touch
Light transmittance	92%
Static contrast	2500:1
Viewing zone	horizontal/vertical: 176°/176°, right/left: 88°/88°, up/down: 88°/88°
Colour support	16.2mIn (6bit + Hi-FRC)
Horizontal Sync	31.5 - 60.2kHz
Viewable area W x H	304 x 228mm, 12 x 9"
Pixel pitch	0.297mm
Bezel colour and finish	black, matte

02 TOUCH

Touch technology	SAW
Touch points	1
Touch method	stylus, finger, glove
Touch interface	USB
Supported operating systems	All iiyama monitors are Plug & Play and compatible with Windows and Linux. For details regarding the supported OS for the touch models, please refer to the driver instruction file available in the downloads section.

03 INTERFACES / CONNECTORS / CONTROLS

Analog signal input	VGA x1
Digital signal input	HDMI x1 DisplayPort x1
Audio output	Speakers 2 x 1W
HDCP	yes

04 FEATURES

Water and dust protection	IP54 (front)
OSD key lock	yes

05 GENERAL

OSD languages	EN, DE, FR, ES, IT, CN, JP
Control buttons	Menu, Scroll up/ Brightness, Scroll down/ Mute, Select, Power
User controls	Picture (contrast, brightness, h-position, v-position, phase, clock, auto adjust), Advanced (color temp., sharpness), OSD (timeout, position, h-position, v-position), Option (reset, language, source select, display mode, volume, mute, factory)
Convenience	Kensington-lock™ prepared
Plug&Play	DDC2B

06 MECHANICAL

Tilt angle	95° up; 25° down
------------	------------------

VESA mounting	100 x 100mm
---------------	-------------

Cable management system	yes
-------------------------	-----

07 ACCESSORIES INCLUDED

Cables	power, USB, HDMI, Audio, DP
--------	-----------------------------

Guides	quick start guide, safety guide
--------	---------------------------------

Cable cover	yes
-------------	-----

08 POWER MANAGEMENT

Power supply unit	internal
-------------------	----------

Power supply	AC 100 - 240V, 50/60Hz
--------------	------------------------

Power usage	16W typical, 1.5W stand by, 0.3W off mode
-------------	---

09 SUSTAINABILITY

Regulations	CE, EAC, RoHS support, ErP, WEEE, cULus, VCCI, REACH, UKCA
-------------	--

Energy efficiency class (Regulation (EU) 2017/1369)	E
---	---

REACH SVHC	above 0.1%: Lead
------------	------------------

10 DIMENSIONS / WEIGHT

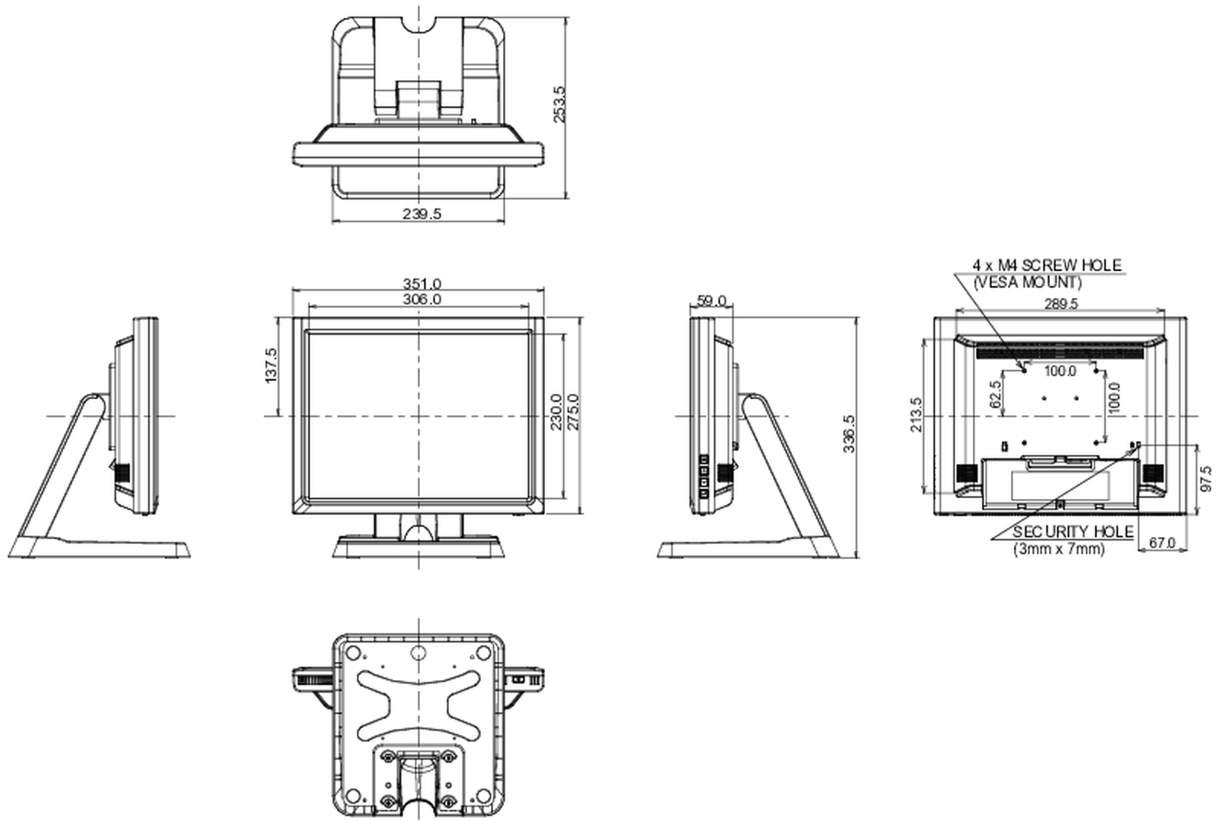
Product dimensions W x H x D	351 x 337 x 254mm
------------------------------	-------------------

Box dimensions W x H x D	425 x 416 x 222mm
--------------------------	-------------------

Weight (without box)	4.6kg
----------------------	-------

Weight (with box)	6.5kg
-------------------	-------

EAN code	4948570119738
----------	---------------



All trademarks and registered trademarks acknowledged. E & O E. Specification subject to change without notice. All LCD's comply with ISO-9241-307:2008 in connection with pixel defects.

© IYAMA CORPORATION. ALL RIGHTS RESERVED