



BenQ DLP Projector

W2710 (i)

Feature Highlight

- * True 4K UHD (3840 x 2160) 8.3M Pixel resolution
- * BenQ CinematicColor™ 95% DCI-P3 Wide Color Gamut
- * HDR10/HLG/HDR10+
- * HDR Pro™
- * Factory Calibrated Report
- * 1.3X big zoom lens and Vertical lens shift
- * Google certificated android TV dongle with Netflix – QS02



Display

Projection System	DLP
DMD type	0.47"
Native Resolution	4K UHD (3840 x 2160) Resolution
Brightness	2200 ANSI Lumens
Contrast Ratio*	50,000:1
Display Color	30 Bits (1,07 billion colors)
Aspect Ratio	Native 16:9 (4 aspect ratio selectable)
Light Source	Lamp
Light Source life**	Normal 4000 hours Economic 10000 hours SmartEco 15000 hours

Optical

Throw Ratio	1.13 - 1.47 (100" @ 2.5 m)
Zoom Ratio	1.3X
Keystone Correction	2D, (Auto) Vertical ± 30 degrees
Projection Offset	100%
LenShift	Vertical +10%
Projection Size (Clear Focus / Maximum)	40"-200"/30"-300"

Audio

Built-in Speaker	5W x 2 (treVolo Chamber)
------------------	--------------------------

Picture

Picture Mode	*** ISF Disabled: Bright / Bright Cinema / Cinema / FILMMAKER MODE / 3D / User / HDR10 / HDR10+ / HLG **** ISF Enabled: Bright / Bright Cinema / Cinema / FILMMAKER MODE / ISF Night / ISF Day
Color Wheel Segment	6 segments
Color Wheel Speed	2D: 96Hz; 100Hz; 120Hz 3D: 120Hz

Special Feature

Motion Enhancer	Yes
Local Contrast Enhancer	Yes
ISF	Yes
Fast Mode	Yes (17.9ms @4K 60Hz, 1080p 60Hz, 8.7ms @1080p240Hz, 21ms@1080p120Hz)

Compatibility

Resolution Support	VGA (640 x 480) to 4K UHD (3840 x 2160)
Horizontal Frequency	15K-135KHz
Vertical Scan Rate	23-240Hz
HDTV Compatibility	480i, 480p, 576i, 576p, 720p, 1080i, 1080p, 2160p
Video Compatibility	N/A

Power

Power Consumption(Max/Normal/Eco)	Max 350W, Normal 340W, Eco 280W
Standby Power Consumption	0.5W Max. at 100 ~ 240VAC
Power Supply	VAC 100 ~ 240 (50/60Hz)

Interface

HDMI-1 (HDCP 2.2)	x 1
HDMI-2 (Audio Return+) (HDCP 2.2, CEC/ARC/eARC)	x 1 (5.1/7.1/Dolby Atmos audio pass through)
HDMI-3 (HDCP 2.2)	x 1
USB 2.0 Type-A port (Media Reader/Scalar Firmware upgrade)	x 1
USB 2.0 Type-A port (5V/2.5A power supply)	x 1
USB 2.0 Type Mini B (TI Firmware upgrade)	x 1
Audio Out (3.5mm mini jack)	x1
12V Trigger (3.5mm Jack)	x1
RS232 In (D-sub 9pin, male)	x1
Audio Out (SPDIF)	x1 (5.1 channel audio pass through)
Hidden Space for QS02 ATV dongle	
- HDMI Mini Male cable (HDCP2.2)	x 1
- USB Micro-B Male cable (5V/1.5A Power supply)	x 1
IR Receiver (Front/Top)	x 2

Dimension and Weight

Product Dimensions (WxHxD)	380 x 127 x 263 mm
Product Weight	4.2 kg

Operation Condition

Noise Level(Normal/Eco)	30/28 dBA
Operating Temperature	0~40 degrees (Celcius)

Accessories

Accessories (Standard)	Remote Control - W2710 (RCI017 : 5JJKV06.003) - W2710i (RCI074: 5JJR406.001) Android TV Dongle QS02 (5A,JH328.01A) and QS02 Remote Control*1 (C008: 5JJH306.002) Power Cord (by region) x 1 (3m) User Manual E-edition (27L) Quick Start Guide (14L) Warranty Card (by region) Lens cover x 1
Accessories (Optional)	Spare Lamp Kit (5JJKC05.001) 3D Glasses

OSD

On Screen Display Language	Arabic/Bulgarian/ Croatian/ Czech/ Danish/ Dutch/ English/ Finnish/ French/ German/ Greek/ Hindi/ Hungarian/ Italian/ Indonesian/ Japanese/ Korean/ Norwegian/ Polish/ Portuguese/ Romanian/ Russian/ Simplified Chinese/Spanish/ Swedish/ Turkish/ Thai/ Traditional Chinese (28 Languages)
----------------------------	---

Environment Notice

* The Contrast is measure by Full On Full Off standard.

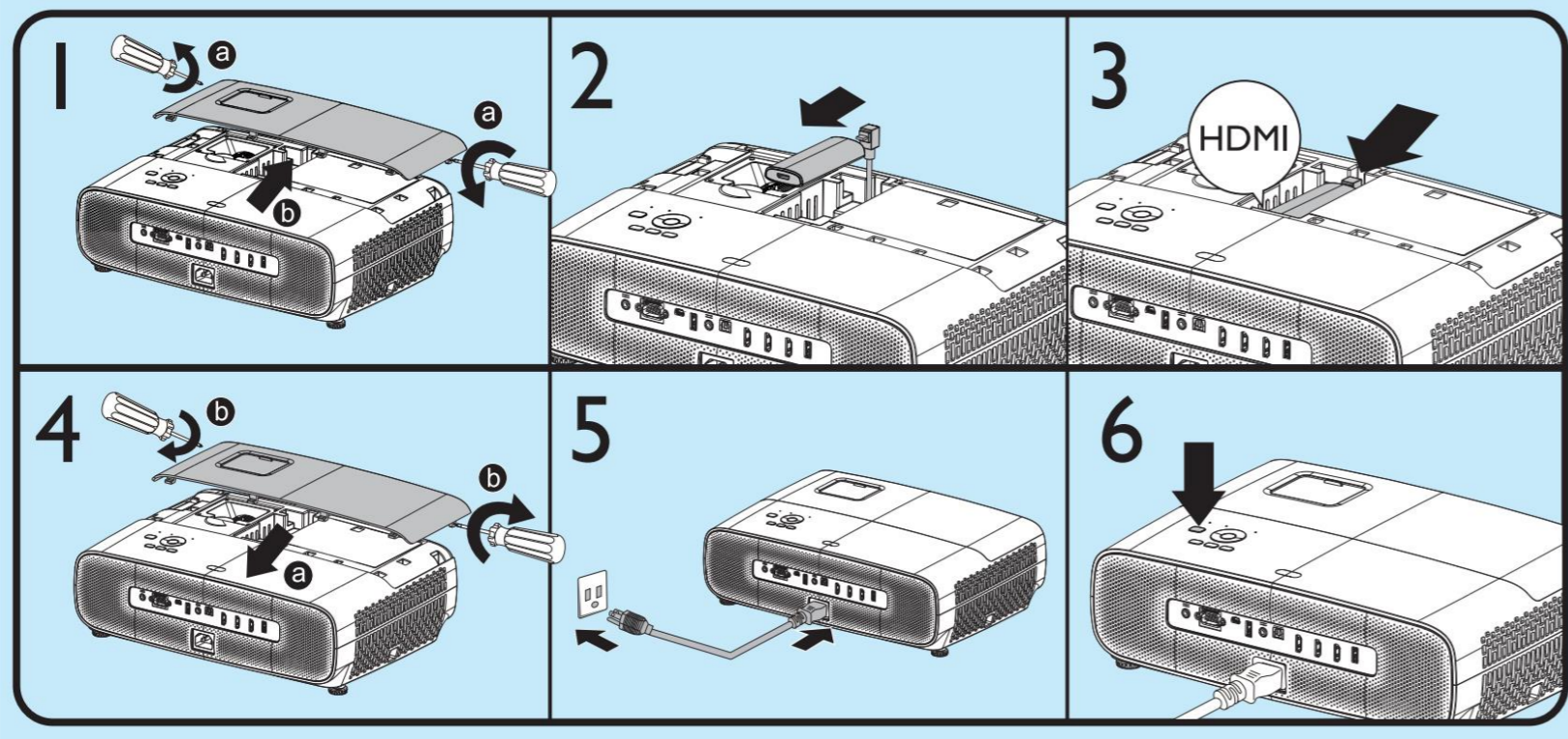
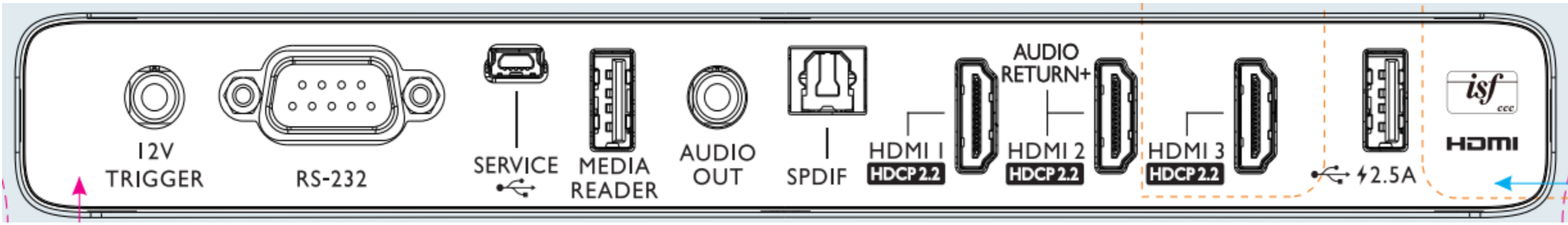
** Light life results will vary depending on environmental conditions and usage. Actual product's features and specifications are subject to change without notice.

*** Default picture mode is Cinema

**** When ISF is enable, default picture mode is ISF Night.



Connectivity

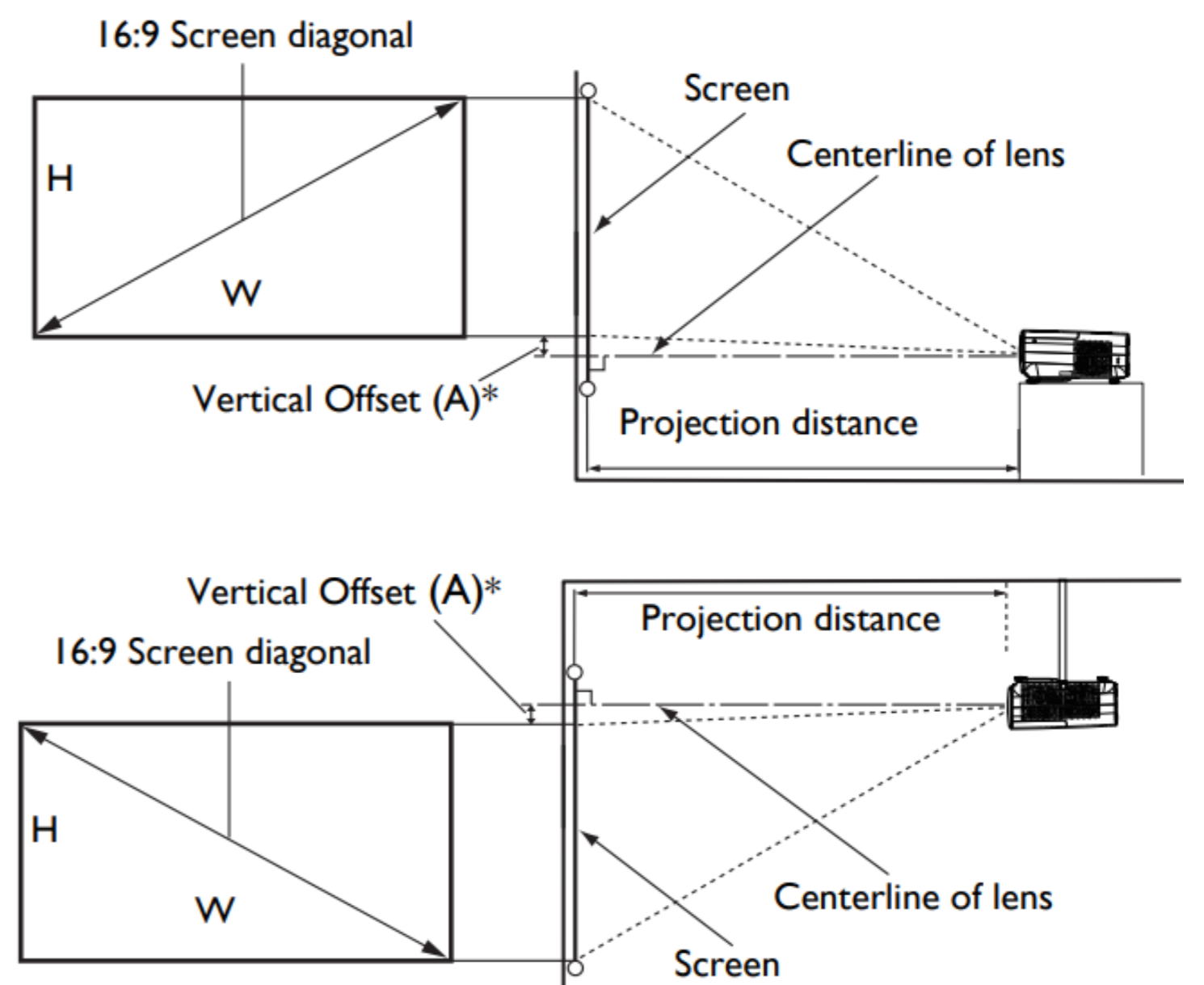


No	I/O	Quantity
1	SPDIF audio output (5.1 channel audio pass through)	1
2	Audio Out (3.5mm jack)	1
3	USB Type-A (Media Reader/Scalar Firmware upgrade)	1
4	HDMI-1 (HDCP2.2)	1
5	HDMI-2 (HDCP2.2) (Audio Return+) (5.1/7.1/Dolby Atmos audio pass through)	1
6	HDMI-3 (HDCP2.2)	1
7	USB Type-A (2.5A power supply)	1
8	USB (Type Mini B)	1
9	RS232 In (D-sub 9pin, male)	1
10	DC 12V Trigger	1
11	Hidden Space for ATV dongle	1
	- HDMI Male cable (2.0b, HDCP2.2)	1
	- Micro USB Male cable (Power supply 5V/1.5A)	1

Installation

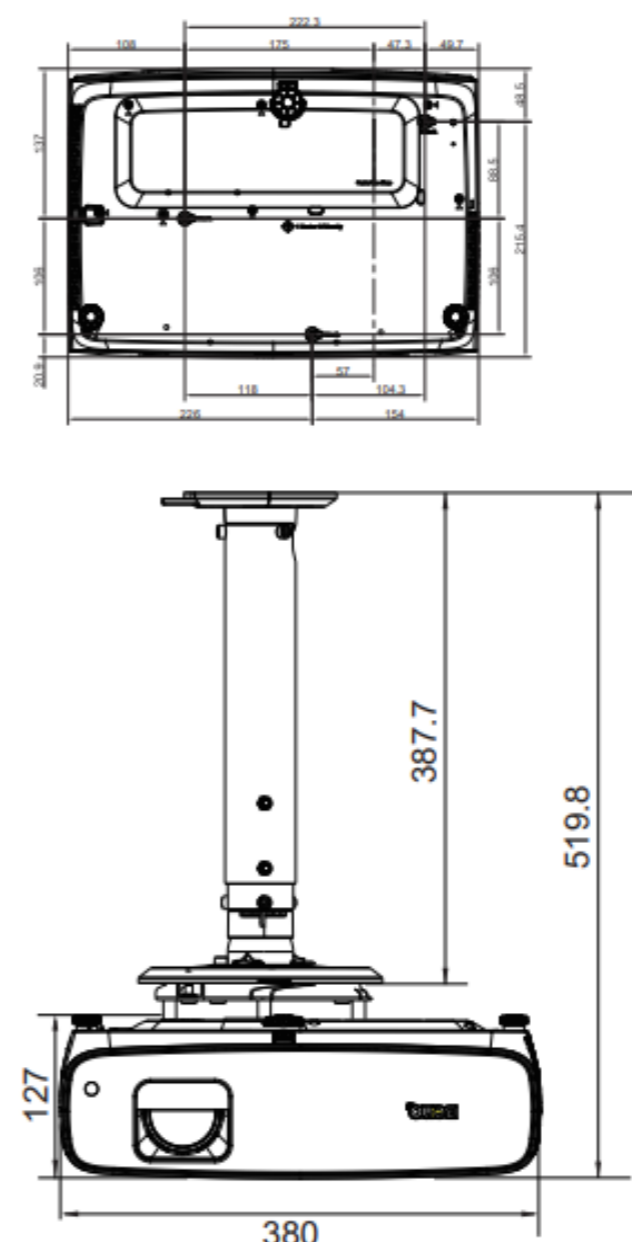
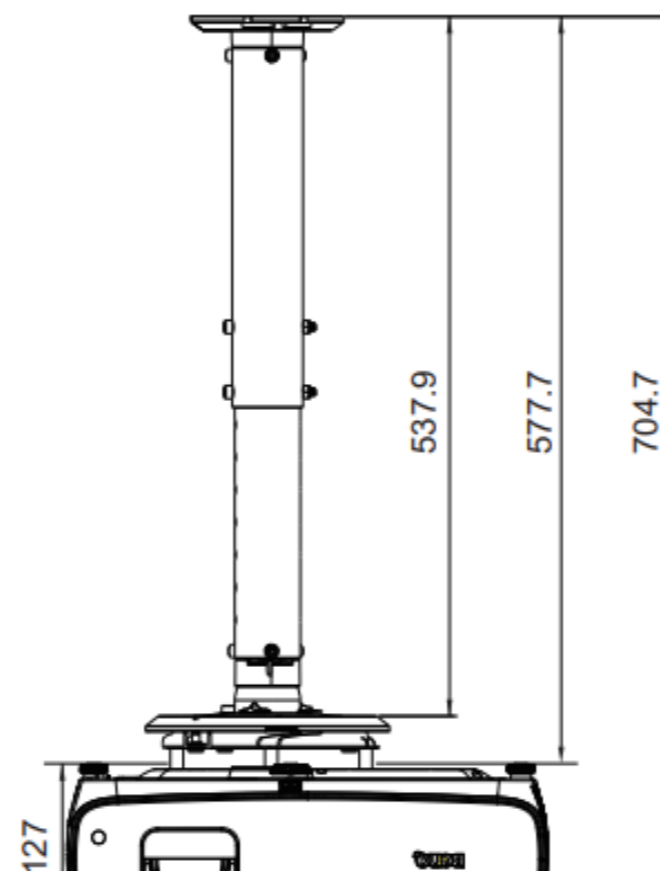
Screen size				Distance from screen (mm)			*Vertical offset (A)
Diagonal		H (mm)	W (mm)	Min length (max. zoom)	Average	Max length (min. zoom)	Distance between center of lens to image border (mm)
Inch	mm						
30	762	374	664	750	863	976	0 - 37
40	1016	498	886	1001	1151	1302	0 - 50
50	1270	623	1107	1251	1439	1627	0 - 62
60	1524	747	1328	1501	1727	1953	0 - 75
70	1778	872	1550	1751	2015	2278	0 - 87
80	2032	996	1771	2001	2302	2603	0 - 100
90	2286	1121	1992	2251	2590	2929	0 - 112
100	2540	1245	2214	2502	2878	3254	0 - 125
110	2794	1370	2435	2752	3166	3580	0 - 137
120	3048	1494	2657	3002	3454	3905	0 - 150
130	3302	1619	2878	3252	3741	4231	0 - 162
140	3556	1743	3099	3502	4029	4556	0 - 175
150	3810	1868	3321	3752	4317	4881	0 - 187
160	4064	1992	3542	4003	4605	5207	0 - 199
170	4318	2117	3763	4253	4893	5532	0 - 212
180	4572	2241	3985	4503	5180	5858	0 - 224
190	4826	2366	4206	4753	5468	6183	0 - 237
200	5080	2491	4428	5003	5756	6509	0 - 249

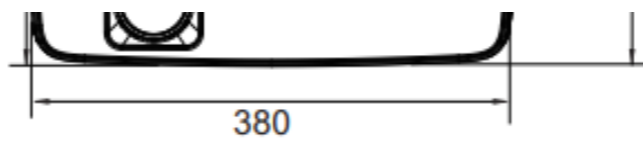
• The screen aspect ratio is 16:9 and the projected picture is in a 16:9 aspect



Dimensions/Ceiling/Wall mount installation diagram

Ceiling/Wall mount screw: M4
(Max L = 25 mm; Min L = 20 mm)





Unit: mm

Feature icons



Color Depth

Display format (refresh rate)	Chroma subsampling	8 Bit	10 Bit
4K/60p (60 Hz)	04:04:04	V	V
	04:02:02	V	V
	04:02:00	V	V
4K/60p (50 Hz)	04:04:04	V	V
	04:02:02	V	V
	04:02:00	V	V
4K/30p (30 Hz)	04:04:04	V	V
	04:02:02	V	V
	04:02:00	V	V
4K/24p (24 Hz)	04:04:04	V	V
	04:02:02	V	V
	04:02:00	V	V



it ratio

-



