

MW809STH BenQ DLP Projector

FEATURE HIGHLIGHTS

- 3,600 ANSI LUMENS HIGH BRIGHTNESS
- SHORT THROW RATIO
- POINTWRITE INTERACTIVE SOLUTION COMPATIBLE
- USB POWER & HDMI COMPATIBLE
- SMARTECO POWER SAVING TECHNOLOGY



HDMI™
HIGH-DEFINITION MULTIMEDIA INTERFACE

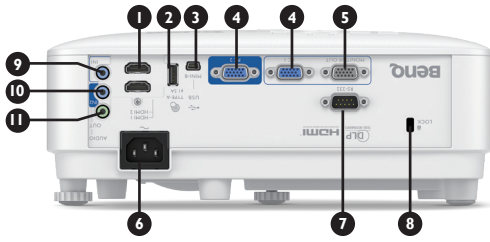
Product Specifications

Projection System	DLP
Native Resolution	WXGA, 1280 x 800 pixels
Brightness	3600 Lumens
Contrast Ratio	12,000 : 1
Display Color	1.07 Billion Colors
Lens	F=2.6 f=6.9 mm
Aspect Ratio	Native 16 : 10 (5 aspect ratio selectable)
Throw Ratio	0.49
Clear Image Size / Maximum Image Size	70"~120" / 120"
Zoom Ratio	Fixed
Lamp Type	200W
Lamp Mode (Normal / Economic / SmartEco / LampSave)	6000 / 10000 / 10000 / 15000 hours
Keystone Adjustment	1D, Vertical +/- 30 degrees
Projection Offset	105%±2.5% (Full-Height)
Resolution Support	VGA (640 x 480) to WUXGA_RB (1920 x 1200) *RB-Reduced Blanking
Horizontal Frequency	15K~102KHz
Vertical Scan Rate	23~120Hz
HDTV Compatibility	480i, 480p, 576i, 567p, 720p, 1080i, 1080p
3D Compatibility	Frame Sequential: Up to 720p
(Please refer to User's Manual for detailed support timing.)	Frame Packing: Up to 24Hz 1080p Side by Side Half: Up to 60Hz 1080p Top Bottom: Up to 60Hz 1080p
Interface	Computer Input (D-sub 15pin) × 2 (Share with Component) Monitor Output (D-sub 15pin) × 1 HDMI × 2 Audio Input (Mini Jack) × 2 Audio Output (Mini Jack) × 1 Speaker × 1 10W USB (Type A) × 1 (Power only 5V / 1.5A) USB (Type Mini B) × 1 (Download & page / down) RS232 (DB-9pin) × 1
Dimensions (W x D x H)	296 x 239 x 120 mm
Weight	2.6 kg (5.7 lbs)
Power Supply	AC 100 to 240 V, 50 / 60Hz
Power Consumption	260W (typical), Standby <0.5W
Audible Noise	33 / 29 dBA (Normal / Economic mode)
Picture Modes	Bright / Presentation / sRGB / Cinema / (3D) / User 1 / User 2
Accessories (Standard)	Remote Control with Battery Power Cord (by region) User Manual CD Quick Start Guide Warranty Card (by region)
Accessories (Optional)	PointWrite FingerTouch Spare Lamp Kit Wall Mount Dust Filter
On-Screen Display Languages	Arabic / Bulgarian / Croatian / Czech / Danish / Dutch / English / Finnish / French / German / Greek / Hindi / Hungarian / Italian / Indonesian / Japanese / Korean / Norwegian / Persian / Polish / Portuguese / Romanian / Russian / Simplified Chinese / Spanish / Swedish / Turkish / Thai / Traditional Chinese / Vietnam (30 languages)

* Lamp life results will vary depending on environmental conditions and usage. Actual product's features and specifications are subject to change without notice.

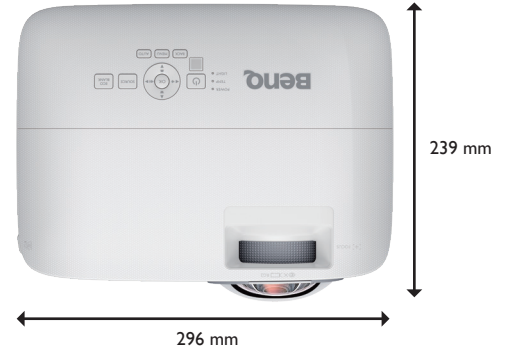
BenQ

Input and Output Terminals



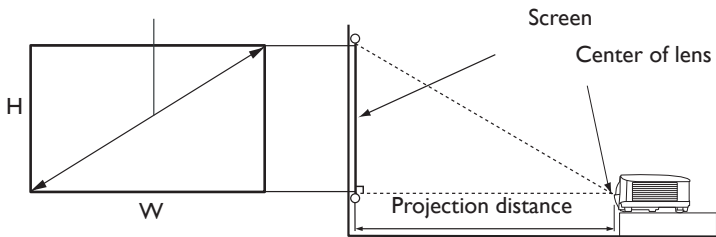
- ❶ HDMI input port
- ❷ USB Type A port (Power for Touch kit)
- ❸ USB Mini-B port
- ❹ RGB (PC) signal input jacks
- ❺ RGB (PC) signal output jack
- ❻ AC power cord inlet
- ❼ RS-232 control port
- ❽ Rear IR remote sensor
- ❾ Audio input
- ❿ Audio input
- ⓫ Audio output

Dimensions



Distance Chart

16:10 Screen diagonal

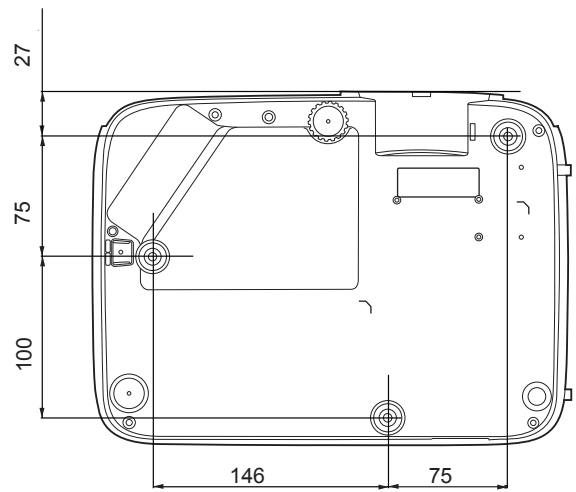


Screen Size				Distance from Screen (mm)	Lowest / Highest Lens position (mm)
Diagonal		Height	Width		
inch	mm	mm	mm		
60	1524	808	1292	631	40
70	1778	942	1508	736	47
80	2032	1077	1723	841	54
90	2286	1212	1939	947	61
100	2540	1346	2154	1052	67
110	2794	1481	2369	1157	74
120	3048	1615	2585	1262	81

* The screen aspect ratio is 16 : 10 and the projected picture is in a 16 : 10 aspect ratio

Ceiling Mount Chart

Ceiling/Wall mount screw: M4
(Max L = 25 mm; Min L = 20 mm)



Unit: mm



SCAN ME



<https://www.benq.eu/en-eu/business/index.html>

© 2020 BenQ Corp. Specifications may vary by region, please visit your local stores for details. Actual product's features and specifications are subject to change without notice. This material may include corporate names and trademarks of third parties which are the properties of the third parties respectively.

BENQ