

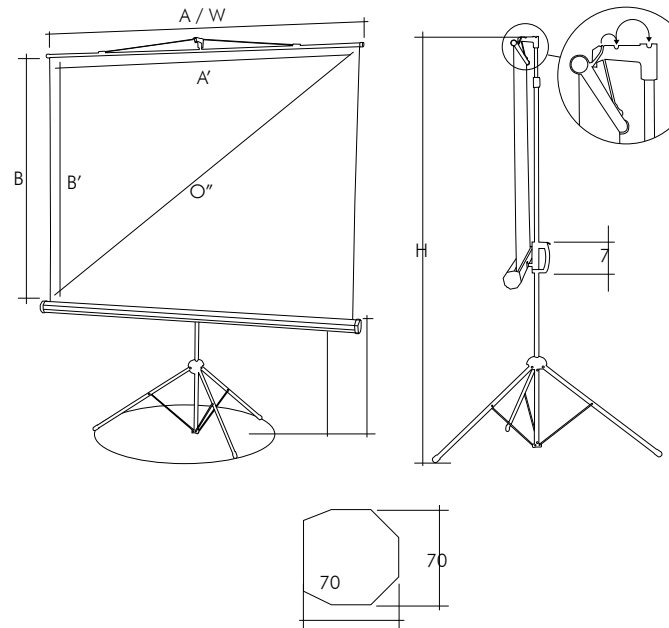
ORION PROJECTION SCREENS

on tripod, with anti-keystone effect system

Great stability and portable projection screen, standard Soft Matt White fabric to guarantee the perfect screen flatness once open and to avoid wrinkles during wind-up operation; stable, foldable tripod, ABS handle for a well balanced transportation of the screen once closed. Suitable for didactic rooms, small size board rooms, it is frequently used for rental application. The best projections are obtained in darkened rooms even if the black back of the canvas substantially reduces ambient light disturbances.

Technical features

- **Projection screens** made of MATT WHITE projection fabric (see technical data sheet pages 1-2-3)
- **Steel housing** 2 mm thickness Hexagonal section cm 7x7, very sturdy structure, Epoxy powder coated, **glossy black colour**, detachable; closing ends of the housing case made of robust ABS
- **Sturdy tripod in black varnished steel**, 360° rotation for optimal positioning in the smallest possible space, complete with moplen anti-slip, square section support tube, perforated at 75, 80,5, 88,5, 109,5 e 120 cm to enable different screen positioning heights
- **Anti-keystone effect** projection screen tilting system



anti-keystone effect projection screen tilting system, the tripod close up, the handle with release snap to raise and lower the screen



Code	Ratio	Screen size (AxB)	Viewing size / inches (A'xB'/O")	Viewing size (A'xB')	Total screen size (WxH)	Total size closed	Min-max total size	Screen case size	Counterweight size	Top extra drop	Max extra top drop	Lumens	Max load	Distance	Run	Fixing	Arm	Tilt	Joints	Pieces	Cable management	Volume	Projector case	Packing	Net weight	Gross weight
012601	ORION 150	1:1	150x150	170x22,5x15	9	11																				
012801	ORION 180	1:1	180x180	201x22,5x15	10	12																				

Size, in cm, weights expressed in kilograms, diagonal expressed in inches (")

Legenda

- Code
- Ratio
- Screen size (AxB)
- Viewing size / inches (A'xB'/O")
- Viewing size (A'xB')
- Total screen size (WxH)
- Total size closed
- Min-max total size
- Screen case size
- Counterweight size
- Top extra drop
- Max extra top drop
- Lumens
- Max load
- Distance
- Run
- Fixing
- Arm
- Tilt
- Joints
- Pieces
- Cable management
- Volume
- Projector case
- Packing
- Net weight
- Gross weight

PROJECTION