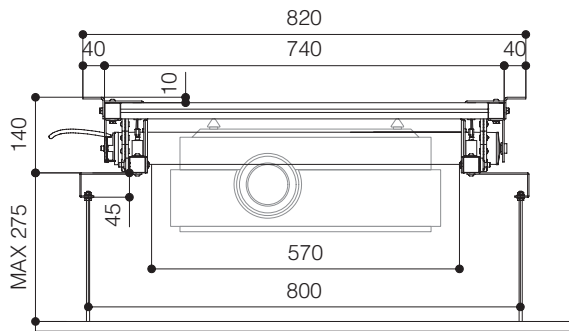


The **PROJECTOR LIFT SI-H L 50 HC** is studied in order to support large and heavy Professional and Home Cinema video projectors up to 30 Kg. of weight. The lift has been developed to be installed inside **very narrow false ceilings of only 14 cm.** granting the best architectural solution in hiding projector, lift and cables.

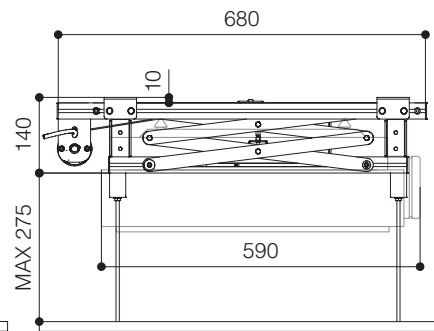
The SI-H L 50 HC is supplied with a powerful and extremely silent motor that allows a descent from a minimum of 14 cm to a maximum extent of 54 cm. Moreover it is supplied with extendable side brackets in order to allow an easy fixing of the panel of your false ceiling by adjustable threaded bars. The lift SI-H L 50 HC is equipped with **safety screws** which prevent the lift to extent further to the preset end stop, in case of failure.

** Ceiling cover plate is NOT included*

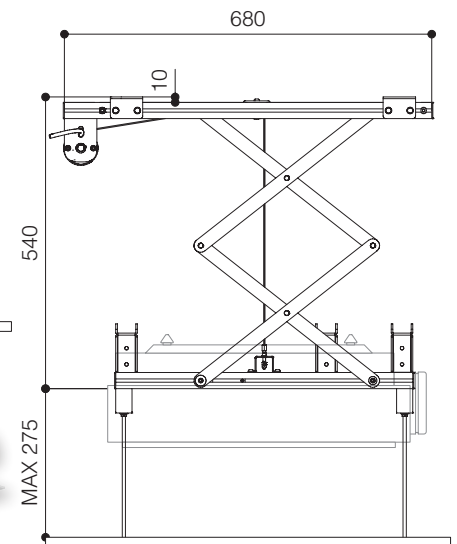
Frontal view closed



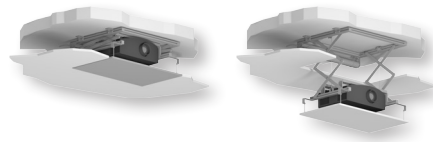
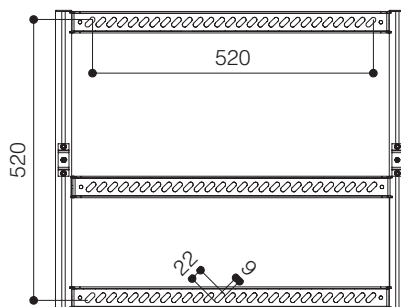
Side view closed



Side view open



Maximum size projector anchoring points



*With lift in closed position **minimum height** required **in false ceiling**:

-> **Projector height + 4 cm. + thickness ceiling cover plate**

(In any case, minimum height required in the false ceiling: 14 cm.)

Optionals:

- Ceiling tile holder CT-720
- Kit RF remote control with external receiver
- Interface switch 12 volt
- Low voltage contact interface

TECHNICAL SPECIFICATIONS

POWER SUPPLY	220-230V - 50HZ
MAXIMUM CONSUMPTION	184 W
TORQUE	20 Nm
MOTOR SPEED	17 rpm
MINIMUM DIMENSIONS LIFT CLOSED	740x140x680 (WxHxD in mm)
DIMENSIONS LIFT OPENED	740x540x680 (WxHxD in mm)
MAXIMUM SIZE FIXING POINTS PROJECTOR	520x520 (WxD in mm)
MAXIMUM SIZE OF PROJECTOR	570x590 (WxD in mm)
MAXIMUM LOAD	30 Kg
NET WEIGHT OF THE PROJECTOR LIFT	13 Kg
CABLE MANAGEMENT SYSTEM INCLUDED	

Warranty: 5 years on the motor - 24 months on the other components

ENGINEERED LIKE NO OTHER SCREEN IN THE WORLD
www.screenint.com

