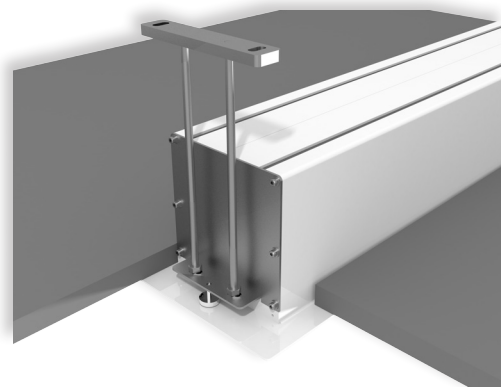


**GIOTTO PROFESSIONAL** is the most innovative UPGRADABLE electric **in-ceiling** projection screen on the market. Its mechanical construction makes it an ideal and unique solution for in-ceiling installations both in residential and AV professional environments.

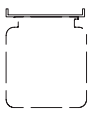

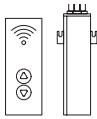

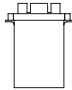

The Giotto is easy to mount and has the **possibility to install the roller tube with projection cloth after the installation is finished.**

This peculiar feature allows also to easily substitute the projection surface if required by the customer for maintenance reasons, or necessity to upgrade the projection cloth.

*Available in 4:3, 1:1 and 16:10 formats or bespoke sizes.*

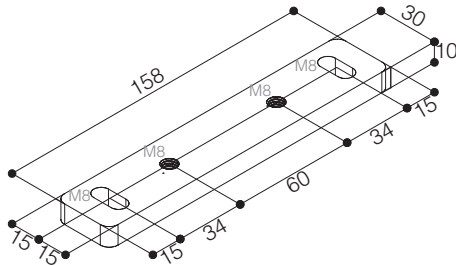


**LEFT SIDE VIEW**

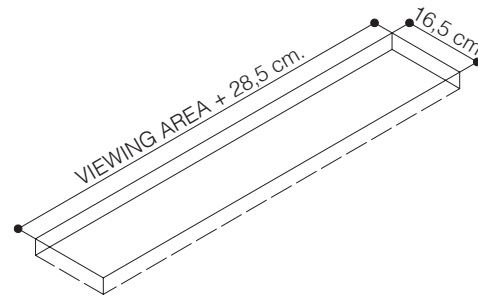
- |                                                                                                                               |                                                                                                                  |                                                                                                                                              |                                                                                                                    |                                                                                                                              |                                                                                                                                |
|-------------------------------------------------------------------------------------------------------------------------------|------------------------------------------------------------------------------------------------------------------|----------------------------------------------------------------------------------------------------------------------------------------------|--------------------------------------------------------------------------------------------------------------------|------------------------------------------------------------------------------------------------------------------------------|--------------------------------------------------------------------------------------------------------------------------------|
| <br>n.2<br>Ceiling<br>mounting<br>brackets | <br>n.1<br>On/off<br>switcher | <br>Kit RF Remote<br>control with<br>external<br>receiver | <br>Interface<br>switch 12 volt | <br>Low voltage<br>contact<br>interface | <br>Nm 9<br>Rpm 26<br><br>Faster<br>motor |
| <b>INCLUDED</b>                                                                                                               |                                                                                                                  | <b>OPTIONAL</b> pag 62-63                                                                                                                    |                                                                                                                    |                                                                                                                              |                                                                                                                                |



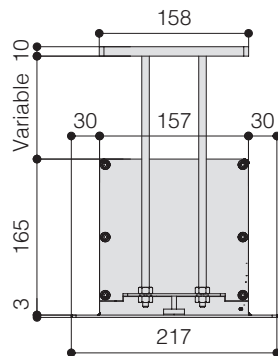
### CEILING BRACKET



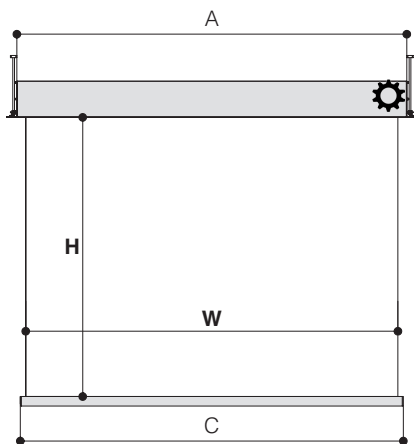
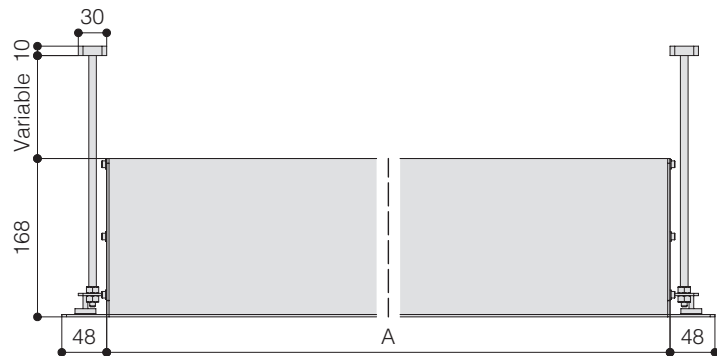
### DIMENSIONS OF THE HOLE TO BE MADE IN THE FALSE CEILING



### HOUSING SIDE VIEW



### HOUSING FRONT VIEW



### TECHNICAL SPECIFICATIONS

- Silent motor system provides a smooth and quiet operation
- Power: **7 Nm**
- Speed: **18 rpm**
- Power supply: **230V / 50 Hz**
- Consumption: **120 W**
- Certification: **IMQ**
- Housing manufactured from aluminium
- Lower part of the housing, trap door and bezel sprayed with white epoxy powders (RAL 9010)
- White dowel bar: height 35 mm. - depth 20 mm.
- Two ceiling mounting brackets with four threaded rods 100 cm. long
- On/Off switcher included
- Flame retardant projection surfaces - classification M1, M2 and B1
- Minimum height required in the false ceiling: 17 cm
- Screen housing available in different colours (*optional*)

The measures in the drawings are expressed in millimetres.

### DIMENSIONS measures in cm

| 1:1 Ratio<br>Viewing area<br>(WxH) | 4:3 Ratio<br>Viewing area<br>(WxH) | 16:10 Ratio<br>Viewing area<br>(WxH) | 16:9 Ratio<br>Viewing area<br>(WxH) | Overall<br>dimensions<br>A - C | Approx. net<br>weight<br>(Kg) |
|------------------------------------|------------------------------------|--------------------------------------|-------------------------------------|--------------------------------|-------------------------------|
| 160 x 160                          | 160 x 120                          | 160 x 100                            | 160 x 90                            | 180,5 - 164                    | 22                            |
| 180 x 180                          | 180 x 135                          | 180 x 112                            | 180 x 101                           | 200,5 - 184                    | 25                            |
| 200 x 200                          | 200 x 150                          | 200 x 125                            | 200 x 112                           | 220,5 - 204                    | 28                            |
| 220 x 220                          | 220 x 165                          | 220 x 137                            | 220 x 124                           | 240,5 - 224                    | 31                            |
| 250 x 250                          | 250 x 190                          | 250 x 156                            | 250 x 140                           | 270,5 - 254                    | 35                            |
| 300 x 300                          | 300 x 225                          | 300 x 187                            | 300 x 169                           | 320,5 - 304                    | 43                            |
| 350 x 350                          | 350 x 265                          | 350 x 219                            | 350 x 197                           | 370,5 - 354                    | 50                            |
| 400 x 400                          | 400 x 300                          | 400 x 250                            | 400 x 225                           | 420,5 - 404                    | 58                            |
| -                                  | 450 x 340                          | 450 x 281                            | 450 x 253                           | 470,5 - 454                    | 65                            |

### PROJECTION CLOTHS

| Front projection<br>surfaces | Gain | Rear projection<br>surfaces<br><i>**no black borders**</i> | Gain |
|------------------------------|------|------------------------------------------------------------|------|
| White                        | 1.2  | Rear Plus                                                  | 1.1  |
| Matte White                  | 1.2  | Front Rear                                                 | 0.9  |
| Microperforated              | 1.1  |                                                            |      |
| Lumi-Grey Microperforated    | 0.8  |                                                            |      |
| Fibre Matte*                 | 1.25 |                                                            |      |
| Ultra HD*                    | 1.2  |                                                            |      |
| Bright Contrast 3D 0.8*      | 0.8  |                                                            |      |
| Green Screen                 |      |                                                            |      |

\*Limited in height

**Warranty:** 5 years on the motor - 24 months on the other components

