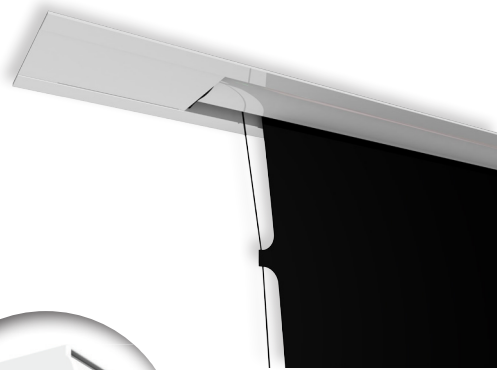
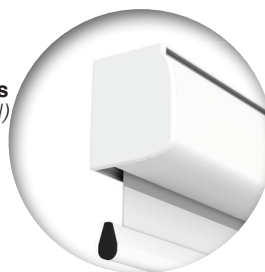


COMPACT TENSIONED is a motorized screen that incorporates a tab guide cable system which maintains tension on the cloth in order to get the screen surface perfectly flat. This product has been specifically studied for the niche of the Home Theatre market, so it is the right solution for the most demanding requests. It is professionally masked with black curved side borders and a black top border of 30 cm.

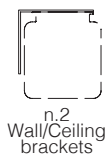
Available in 4:3, 16:9 and 16:10 formats or bespoke sizes.



White side covers
(optional)



False ceiling trim kit
(optional - for details see p. 48)

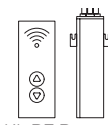


n.2
Wall/Ceiling
brackets



n.1
On/off
switcher

INCLUDED



Kit RF Remote
control with
external
receiver



Interface
switch 12 volt



Low voltage
contact
interface



Nm 9
Rpm 26

Faster and
quiet motor

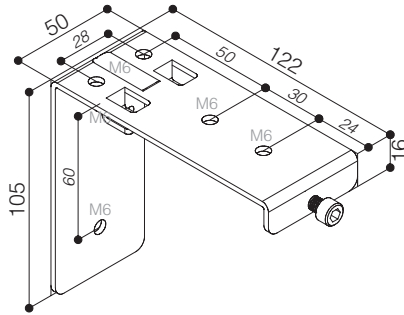
OPTIONAL pag 62-63



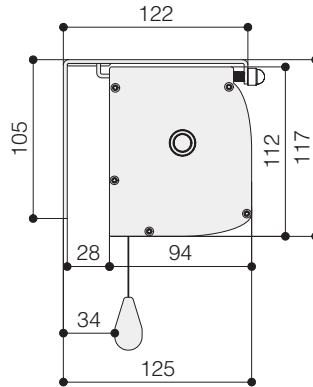
DROP OF PROJECTION CLOTH
STANDARD

FRONT DROP OF PROJECTION CLOTH
(optional)

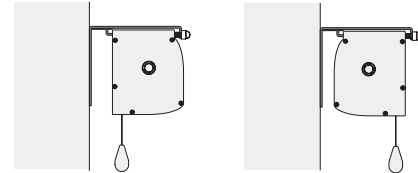
WALL-CEILING BRACKET



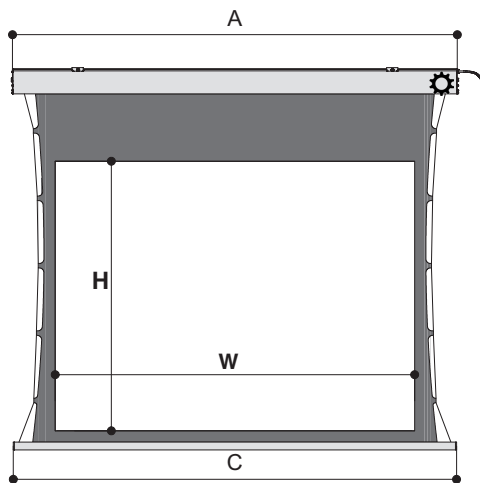
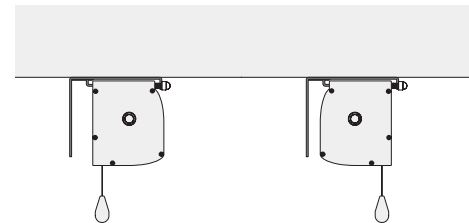
HOUSING DIMENSIONS



WALL MOUNTING



CEILING MOUNTING



TECHNICAL SPECIFICATIONS

- Silent motor system provides a smooth and quiet operation
 - Power: **6 Nm**
 - Speed: **17 rpm**
 - Power supply: **230V / 50 Hz**
 - Consumption: **137 W**
 - Certification: **IMQ**
- Totally manufactured from aluminium
- Smart design and easy to install
- Housing dimensions: 94x112 mm. (DxH)
- Housing painted with white epoxy powders (RAL 9010)
- Two universal mounting brackets either for ceiling or for wall included
- On/off switcher included
- Power cable located at the **right** side of the screen housing seen from the front
- Flame-retardant projection surfaces - classification M1, M2 and B1
- Side black borders of 5 cm. (in the narrowest point), black bottom border of 5 cm., black top drop of 30 cm. and black dowel bar: height 35 mm. depth 20 mm.
- Hour-shape glass tensioning system to provide perfect flatness
- Screen housing available in different colours (optional)

The measures in the drawings are expressed in millimetres.

DIMENSIONS measures in cm

4:3 Ratio Viewing area (WxH)	16:9 Ratio Viewing area (WxH)	16:10 Ratio Viewing area (WxH)	Overall dimensions A - C	Approx. net weight (Kg)
160 x 120	160 x 90	160 x 100	198 - 194	15
180 x 135	180 x 101	180 x 112	218 - 214	17
200 x 150	200 x 112	200 x 125	238 - 234	19
220 x 165	220 x 124	220 x 137	258 - 254	20
250 x 190	250 x 140	250 x 156	288 - 284	22

PROJECTION CLOTHS

Front projection surfaces	Gain	Rear projection surfaces <i>**no black borders**</i>	Gain
Matte White	1.2	Rear Plus	1.1
Lumi Grey	0.8	Front Rear	0.9
Microperforated	1.1		
Lumi Grey Microperforated	0.8		
Cinesound*	0.7		
Bright Contrast 3D 0.8*	0.8		
Ultra HD*	1.2		

*Limited in height

Warranty: 5 years on the motor - 24 months on the other components

