

# FUNC Flatscreen CH VSTD2



## Double up?

The Func Flatscreen CH VSTD2 is a single solution for two requirements. It is a very functional bracket that can hold two displays on the same pillar. Like most of our ceiling brackets the displays can be tilted for a perfect angle. The displays can be swiveled to any point in the room and the length is also adjustable. The cables are discreetly fed through the cylinder. The Func Flatscreen CH VSTD2 is a reliable choice for your heavier displays.

### Special features.

The design of the adapter plate is user friendly and easy to mount. The design of the ceiling plate allows you to mount the bracket even if the ceiling is sloping. The Func Flatscreen H Uniside is included in the package.

Available in three different colors; white, black and silver.

**INFO**

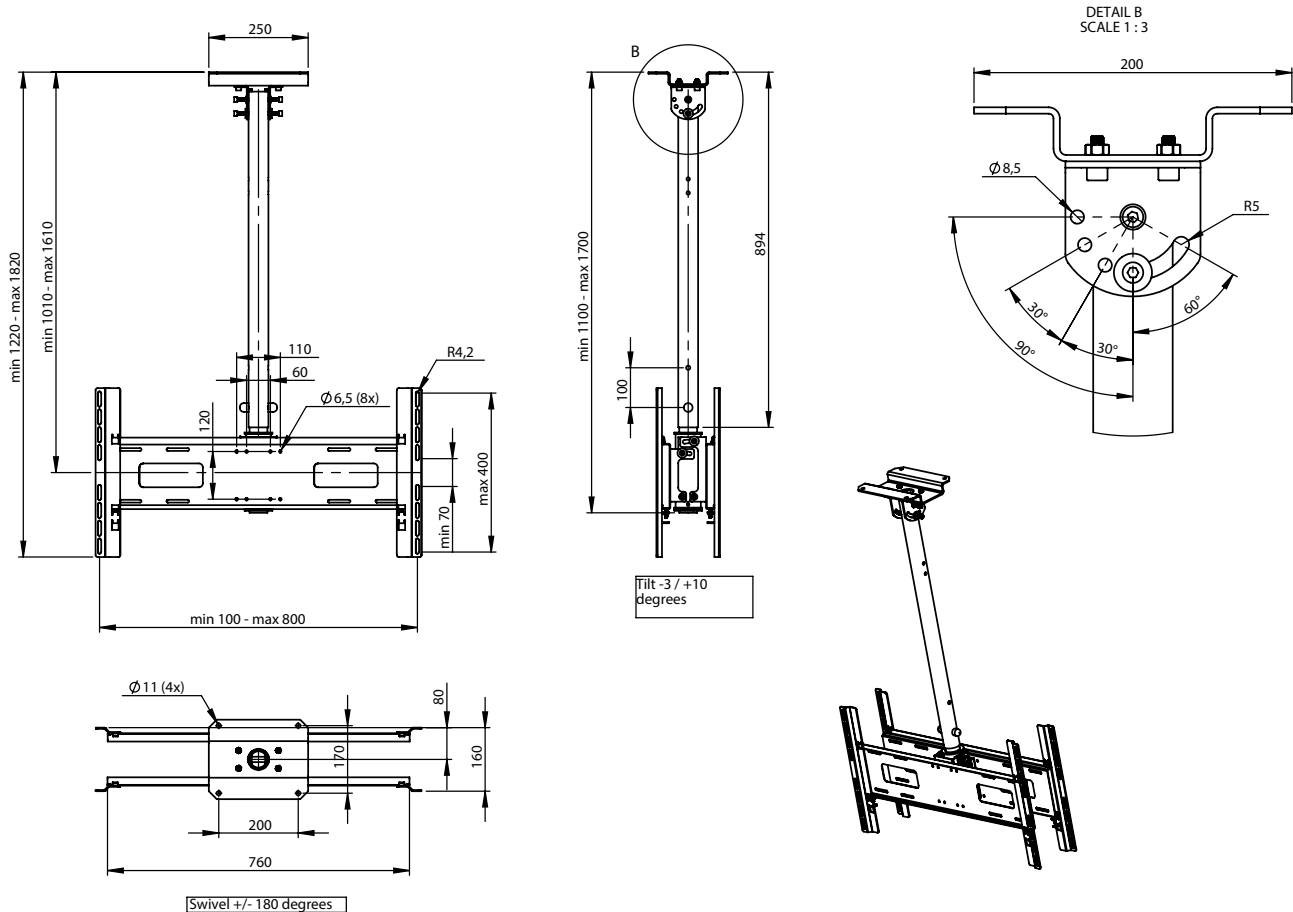
Color: Black, silver or white.  
 Max load: 50 kg/display.  
 Weight: 14 kg  
 Total length (from ceiling to the display center line): 1010-1610 mm.  
 Swivel & Tilt: The screen can be swiveled +/-180° and tilted 10°.  
 Adjustable: The length is adjustable in 100 mm steps.

Note: Cables are fed through the pillar. The adapter plate is prepared with a hole that makes it possible to secure the screen with a padlock. Can be mounted in environments with inclined walls and pitched roofs.

Required unislide: Func Flatscreen H Unislide (included).  
 VESA standard: 200x100 / 200x200 / 400x200 / 400x400 / 600x200 / 600x400 / 800x400.

Note: The SMS Flatscreen H Unislide is NOT compatible with this bracket.

**PRODUCT DIMENSIONS [mm]**

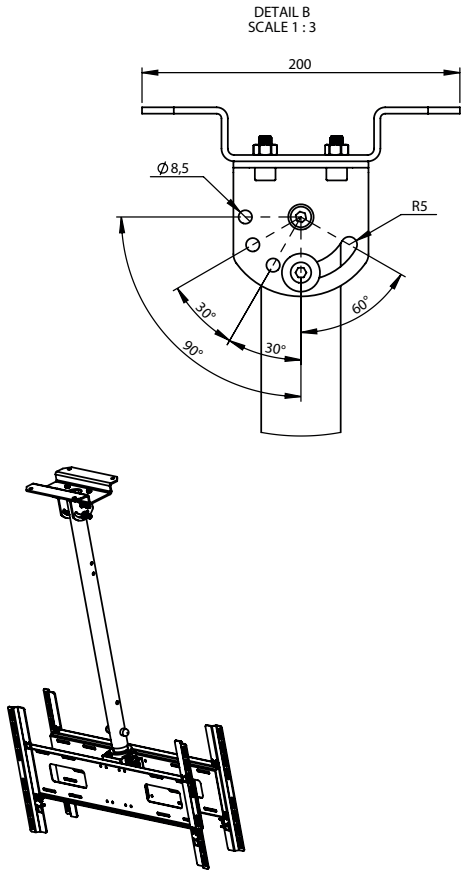


**ART. NO.**

**PL061090-P0** Func Flatscreen CH VSTD2 Black  
**PL061033** Pipe CHVST2/D2 1540-2740 Black  
**PL061034** Pipe CHVST2/D2 2540-4540 Black

**PL061091-P0** Func Flatscreen CH VSTD2 Silver  
**PL061043** Func Pipe CHVST2/D2 1540-2740 Silver  
**PL061044** Func Pipe CHVST2/D2 2540-4540 Silver

**PL061097-P0** Func Flatscreen CH VSTD2 White  
**PL061053** Func Pipe CHVST2/D2 1540-2740 White  
**PL061054** Func Pipe CHVST2/D2 2540-4540 White



We reserve the right to introduce changes in the product specifications after the printing and publication of this document.