



49" Professional Signage Displays

- Resolution: 1920x1080 (FHD)
- Brightness: 400 cd/m2
- Operation: 24/7
- Bezel: 9-11 mm (T/R/L), 13-15 mm (B)
- Interface: HDMI 2.0 / VGA / USB / RS232 /RJ45 /RJ12 / IR / HP / Audio / Speaker

Key Features



OSD Orientation

The orientation of the OSD can be adjusted to improve its ease of use whilst displaying content in portrait.



Detachable Logo

Detachable logo allows you to put the logo desired position. Either portrait or landscape mode your logo presented in a good placement. Also you can remove the logo if it is blocking you to use more screens together.



IP Streaming Support

Our processors in the displays make it easier to manage content through many devices. IP video streaming protocols such as RTSP/RTP/HLS and UDP Multicast are supported for real-time content streaming. So that, live broadcasts can be displayed in this way.



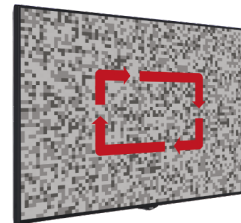
Display Control over RS232 and LAN

Our platform allows users to control their displays, using a large range of commands through either a Local Area Network or direct RS232 Serial connection.



Scheduler

Digital Signage Monitor Software allows many important features such as Scheduler. Scheduler sets your display turn on/off time easily and lets you not to worry about the status of your displays in any time.



Pixel Shifting

Pixel Shifting is designed to be activated inside the SoC in order to prevent for potential risk of image sticking, caused by constant content. With this feature turned on, pixels on the screen will move in an interval while causing no interference of visual experience.

Features

HDMI Wake Up

To maximize the user experience while using external video devices such as mediaplayers, display controllers or PCs, all our devices have HDMI Wakeup feature ready to turn on/off the display by simply plugging/unplugging the HDMI cable.

Menu Lock

Allows user to enable/disable menu access in order to prevent displays settings in the public area. After initial installation, you can have additional security to your signage displays in the field by using menu lock feature.

Embedded CMS

Embedded content management program which supports playback library, ready templates and scheduler. With its simple and intuitive menus and layout options, it is effective for small and medium enterprises to make easy content management.

Wireless Display

Using either Microsoft Wireless Display Adaptor or Android Screen Sharing functions on Windows and Android devices, you can mirror screen to the display using embedded wireless display capabilities without using any external devices or cables.

Auto Launch

We have made it easy to give any HTML5-based application link to the display within the SoC software. Upon this, the display will start with the given link. The application can either be an offline or an online application, allowing the customers to execute their own application.

PANEL

Screen Size	49"
Panel Technology	IPS
Backlight Type	Direct-Type LED
Brightness (typical)	400 cd/m ²
Native Resolution	1920 x 1080 (16:9) - FHD
Contrast Ratio (typical)	1000:1
Dynamic Contrast Ratio	40000:1
Panel Life Time (Min.)	50000 Hrs
Response Time (typical)	6 ms
Active Area (H x V)	1074 x 605 mm
Pixel Pitch (H x V)	0.5593 x 0.5593 mm
PPI (pixel per inch)	45
Viewing Angle	178° Vert., 178° Hor. (89U/89D/89L/89R) @ CR>10
Color Value	16.7 M (8-bit)
Screen Treatment	3H
Haze Level	1%
Refresh Rate	60 Hz
Front Type	Ultra Narrow Bezel
Orientation	Horizontal / Vertical
Operation Hours	24/7
Area of Usage	Indoor

MAINBOARD

Mainboard Model	17MB135VS
-----------------	-----------

MONITOR CONNECTIVITY

RGB Input	VGA(DE-15F)
RGB Output	N/A
Video Input	2xHDMI2.0, 2xUSB2.0, USB2.0(Internal)
Video Output	HDMI2.0
Audio Input	Line In L/R
Audio Output	Headphone, Optic SPDIF
External Control	RS232(DE-9F), Ethernet(RJ45), Service(RJ12)
External Sensor	RJ12

MECHANICAL

Product Dimensions (WxDxH)	1102 x 104 x 635 mm
Package Dimensions (WxDxH)	1215 x 165 x 775 mm
Product Weight	12.8 kg
Package Weight	16.8 kg
Vesa Mounting	200 x 200 mm - M6
Bezel Width	B:15 T:11 L/R:11 mm

ENVIRONMENTAL CONDITIONS

Operating Temperature	0-40°C
Operating Humidity	10-90%

POWER

Power Supply	110 VAC - 240 VAC - 50/60 Hz
--------------	------------------------------

POWER CONSUMPTION

Typical	82 W
Deep Standby	≤0.5 W

FEATURES

Main Features	Open Content Management Support, Scheduler, USB-Autoplay, Auto-Launch, HDMI-CEC, HDMI-Wakeup, Auto-switch on Failover, Panel Lock
Mechanical Features	Joystick, IR Extender Support, Rocker Switch, Detachable power cable, Carrying slots, Detachable logo positioning, Internal usb cover, Cable Holder
Optional Features	OPS Compliance, IR Overlay Touch Compliance
Speaker	2 x 8 W

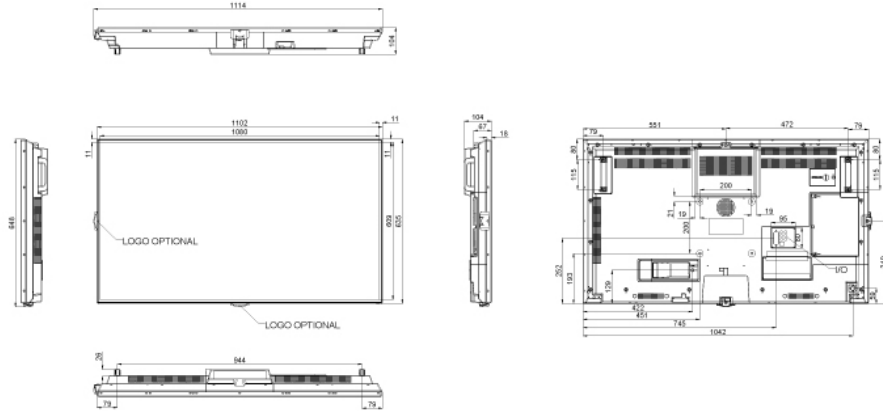
ACCESSORY

Standard	QSG, IB, Power Cord, Remote Control, RC Battery, Mounting Kit, Extension Brackets, IR Extender Cable
----------	--

CERTIFICATION

Safety	YES
EMC	YES
CE	YES

REV. NO	REV. TARİHİ	REV. AÇIKLAMASI
1	04.02.2018	FORMAT DEĞİŞTİRİLDİ
2		
3		



MODEL 49495 DS	DIMENSIONS (mm)		
	WIDTH mm	DEPTH mm	HEIGHT mm
PRODUCT	1102	104	635
PACKAGING	1215	165	775

1074

ACTIVE CELL DIMENSIONS

TOLERANCES	K	NAME:	REV:
0.00/0.00	±0.00	49495 DS	R01
0.00/0.00	±0.30	CREATED : HOSEYIN CIFTCI	DATE: 04.02.2018
0.00/0.00	±0.50	LAST REV. : NURAY OZTEN	SHEET: 1 / 1
0.00/0.00	±0.75	CHECK : Hakan KOPUNCIOGLU	SCALE: 1:1
0.00/0.00	±1.00	APPROV. : Deniz CETINUREK	UNIT mm
0.00/0.00	±1.50	VESITEL VESTEL ELECTRONICS / DIGITAL PRODUCTS OPERATIONS MANISA/TURKEY TEL:+902362539660 FAX:+902362539552	
ANGLES	±0.5°		