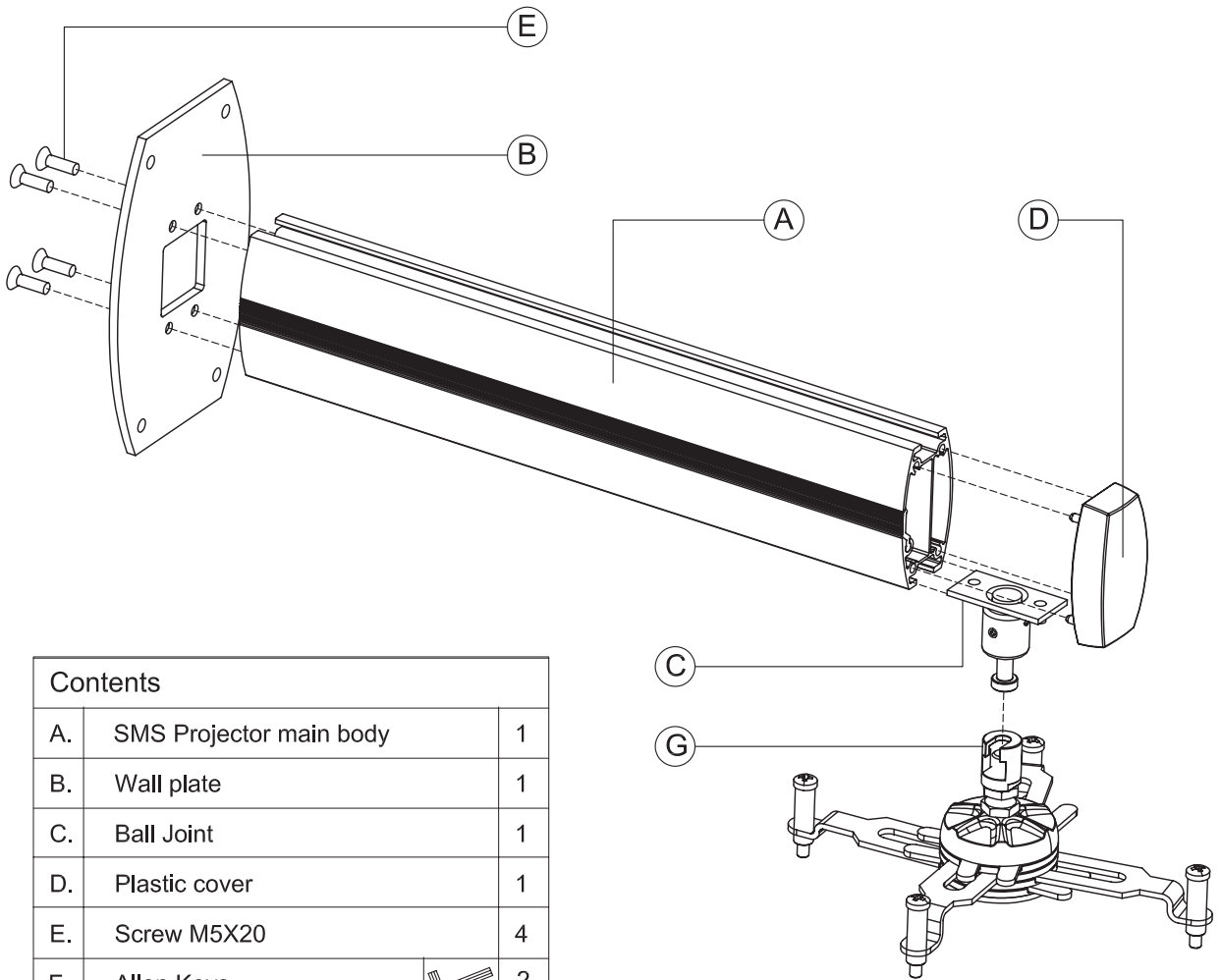




SMS PROJECTOR WL V INCLUDING SMS UNISLIDE





Contents		
A.	SMS Projector main body	1
B.	Wall plate	1
C.	Ball Joint	1
D.	Plastic cover	1
E.	Screw M5X20	4
F.	Allen Keys	 2
G.	SMS Unislide	1
H.	Wall Screws+Washers (Not included)	
I.	Spanner/ Key	 1
J.	Projector (Not included)	

Holes Pattern SMS Projector WL V Wall Plate

