



A screen that has been dubbed “Made for Installation” due to its innovative assembly system. In addition, this model disappears into a false ceiling by means of a retractable mechanism, and is endowed with the classic tensioning method, which ensures a perfect planarity of the surface while safeguarding a harmonious aesthetic impact. Two elastic cables depart from the ends of the base and are threaded through eyelets along the sides of the canvas, creating a lateral arch which avoids the risk of any creases forming during the rolling phase, despite the presence of the eyelets (see page 8). While maintaining the characteristic Inceel design, this solution further enhances an invaluable tool for your work and leisure time without posing any space limitations.

Tensioned Screens

Create your own screen with the PSS:

- > **personalized dimensions:** width and height
- > **roller type:** motorized or radio integrated
- > **case:** available only with case
- > **case color:** available only in white
- > **projection surfaces:** ReferenceWhite, ReferenceGrey, VisionWhite, VisionWhitePro and VisionAcoustik only with black border
- > **height of top:** from 5 to 45 cm
- > **projection surface drop:** front or rear
- > **side of command/motor:** right only

Standard accessories:

- > kit containing eight 50 cm threaded bars for installation with maximum height of 1 m
- > unipolar selector switch
- > remote control (only for radio-integrated version)
- > end plates for closing the plasterboard

Optional accessories:

- > receiver and RF remote control for motorized screen (3 modalities: basic, automatic and compatible with domotic systems)
- > receiver and infrared remote control
- > bracket extensions for screens up to 60 cm



Standard formats

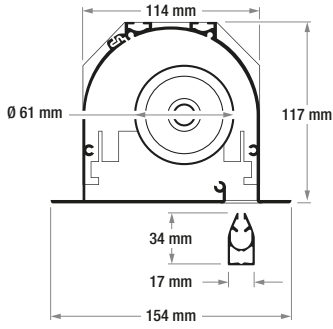


PSS formats

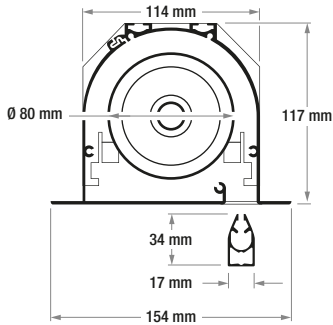


Surfaces Fireproof Certification



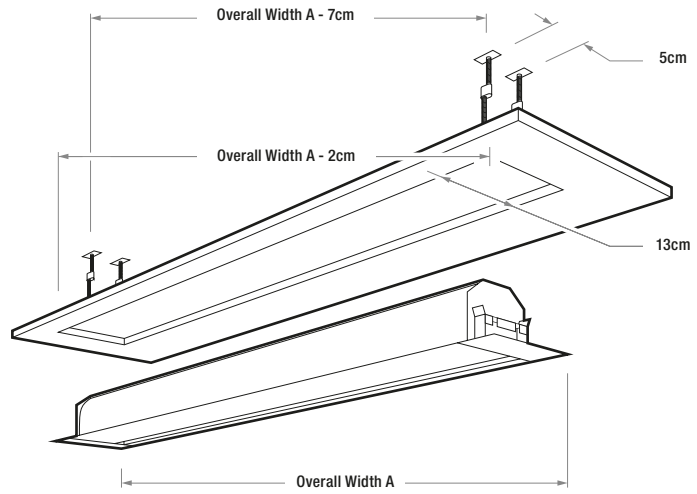


* Up to 250 cm base



* From 250 cm base

* In certain circumstances due to the surface's height it is necessary to use a case with the rolling tube of 80 mm



Format	Overall Width	Overall Height	Surface Width	Surface Height	Net Surface Width	Net Surface Height	Standard Top	Maximum Total Top	Diagonal Inches	Shipment Sizes	Net Weight	Gross Weight
	A	E	F	G	H	I	P	cm	O	cm	kg	kg
4:3	217	149	175	134	165	124	5	45	81	230x20x21	17	22
	237	164	195	149	185	139	5	45	91	250x20x21	18	23
	267	186	225	171	215	161	5	40	106	280x20x21	19	24
	317	229	275	214	265	199	10	45	130	330x20x21	21	26
	367	266	325	251	315	236	10	45	155	380x20x21	23	30
16:9	217	118	175	103	165	93	5	45	75	230x20x21	16	21
	237	129	195	114	185	104	5	45	84	250x20x21	17	22
	267	146	225	131	215	121	5	45	97	280x20x21	18	23
	317	179	275	164	265	149	10	45	120	330x20x21	20	25
	367	207	325	192	315	177	10	45	142	380x20x21	22	27
417*	235	375	220	365	205	10	30	165	430x20x21	24	29	
16:10	217	128	175	113	165	103	5	45	77	230x20x21	16	21
	237	141	195	126	185	116	5	45	86	250x20x21	17	22
	267	159	225	144	215	134	5	45	100	280x20x21	18	23
	317	196	275	181	265	166	10	45	123	330x20x21	20	25
	367	227	325	212	315	197	10	45	146	380x20x21	22	27
417*	258	375	243	365	228	10	10	169	430x20x21	24	29	
21:9	217	95	175	80	165	70	5	45	71	230x20x21	16	21
	237	104	195	89	185	79	5	45	79	250x20x21	17	22
	267	117	225	101	215	91	5	45	92	280x20x21	18	23
	317	143	275	128	265	113	10	45	113	330x20x21	20	25
	367	164	325	149	315	134	10	45	135	380x20x21	22	27
417*	185	375	170	365	155	10	30	156	430x20x21	24	29	

*Not available with VisionWhitePro surface

