

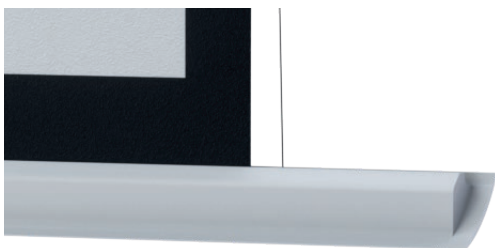


This projection screen model has been conceived for residential installations, where design features and attention to details are needed.

In its tensioned version (Tensio Classic), the Rugby PLUS screens are the perfect solution to combine aesthetics, functionality and technical performance.

The Tensio Classic system uses elastic tensioning cables threaded through eyelets, creating a curvature of the projection surface that prevents the formation of folds and puckering and ensures crease-free edges. The black (standard) or white (optional on request) side edges are available in 50 or 70 mm.

See page **60**
for Technical data



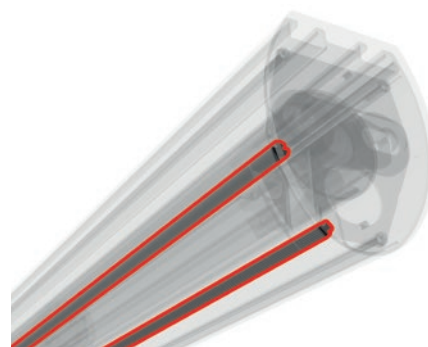
Lowbar design detail ▲





Quiet Rolling System

Using a double head enables the insertion of rubber bushings to absorb vibrations between the case and the roller. This system reduces the noise of the screen, which will be highly appreciated in residential environments.



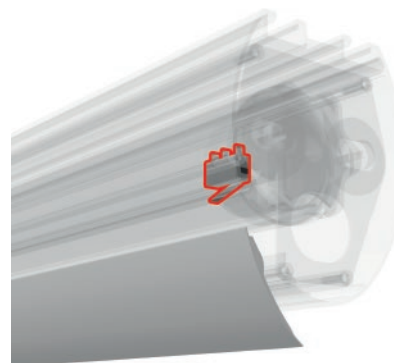
Softend Lowbar System

Designed using soft gaskets that dampen noise and absorb contacts when closing the lower bar.



SuperQuick Bracket Attachment System

The screen is supplied with an improved rapid and user-friendly fixing system for both wall and ceiling mounting. The clamping has been designed adopting symmetrical logics to enable both front and back mounting. The bracket kit consists of a single fixing unit (extruded aluminium bracket) and a single clamping unit (PVC moulded block), significantly reducing the number of parts.



Auto Adjustment System

Another feature of the Rugby PLUS model is the use of a micro switch that ensures that the lower bar is always locked in the same position when closed. This auto-adjustment system means that there is no need for the customer to correct any stretching of the screen over time.

Create your own screen with the PSS

- > **Personalized dimensions:** width and height
- > **Motor type:** standard motor or RTS radio integrated motor (optional) or IO silent radio integrated motor (optional)
- > **Case:** with quick-installation system
- > **Case color:** standard in White Matte. Optional in Black Matte. Custom color for an extra cost
- > **Standard Drop:** from 5 to 45 cm
- > **Projection surface fall:** back (standard), front or reverse-roll (optional)
- > **Side of command/motor:** right (standard) or left (optional)

Projection Surfaces (see page 6)

- > VisionWhite / VisionWhitePro
- > AmbientGrey
- > ReferenceWhite / ReferenceGrey
- > VisionAcoustik
- > VisionRear DB and VisionRear, only without black borders

Standard Accessories

- > SuperQuick Bracket Attachment System, quick installation wall or ceiling brackets
- > Softend Lowbar System, rubber shock absorbers between the lower bar and case
- > Quiet Rolling System, rubber shock absorbers between the roller and case
- > Auto Adjustment System, limit switch automatic adjustment
- > Unipolar switch

Optional Accessories

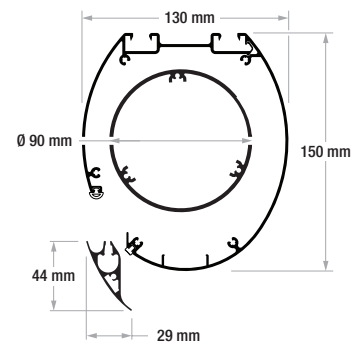
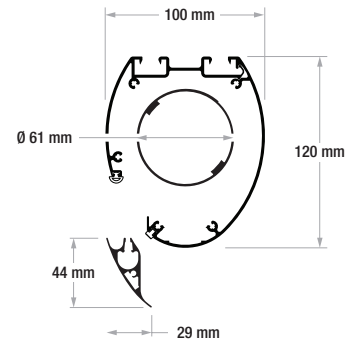
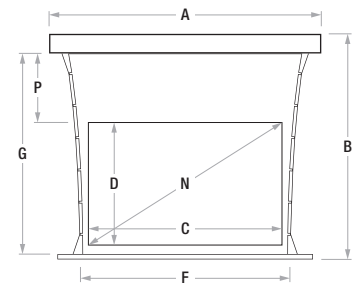
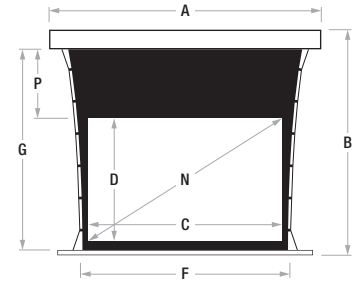
- > Interface to drive the screen in radio frequency with remote control (not included), 12V trigger, unipolar switch, dry contact or RS232
- > SRI motor option RF radio integrated standard receiver and transmitter
- > SIO IO-homecontrol® motor option RF radio integrated and remote control
- > Receiver and infrared remote control
- > Extension brackets for screens up to 60 cm
- > Screen lift

PSS Formats

1:1	1.33:1	1.60:1	1.78:1	2.35:1	2.37:1	2.39:1	2.40:1
	4:3	16:10	16:9	21:9			

Rugby Plus Tensio Classic 50 mm borders / without borders

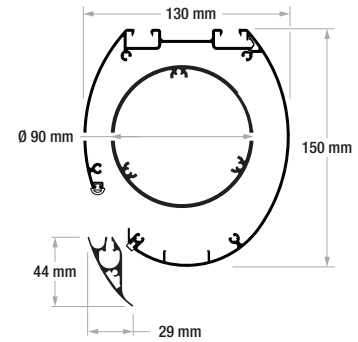
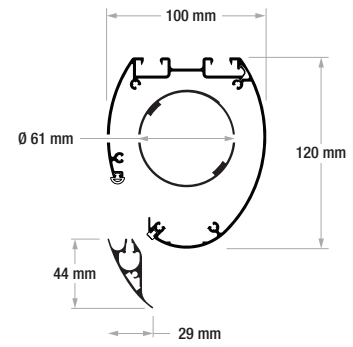
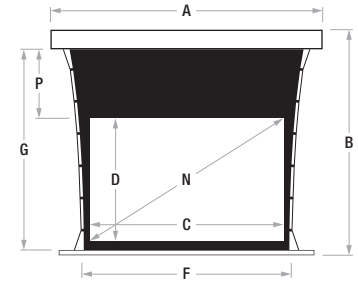
Aspect ratio	Viewing Width	Viewing Height	Diagonal Inches	Overall Width	Overall Height	Surface Width	Surface Height	Standard Drop	Total Maximum Drop	Packaging Dimensions	Net Weight	Gross Weight
	C	D	N	A	B	F	G	P	mm	mm	kg	kg
1,00 (1:1)	1620	1620	90	2080	1884	1720	1720	50	50	2260X150X180	15	17
	2120	2120	118	2580	2414	2220	2220	50	50	2760X210X200	20	22
	2620	2620	146	3080	2964	2720	2770	100	100	3260X210X200	26	28
1,33 (4:3)	1620	1218	80	2080	1482	1720	1318	50	450	2250X150X180	15	17
	2120	1594	104	2580	1858	2220	1694	50	450	2250X150X180	20	22
	2620	1970	129	3080	2314	2720	2120	100	450	3260X210X200	26	28
	3120	2346	154	3580	2690	3220	2496	100	450	3760X210X200	32	34
	3620	2722	178	4080	3066	3720	2872	100	450	4260X210X200	38	40
4120	3098	203	4580	3442	4220	3248	100	350	4760X210X200	44	46	
1,78 (16:9)	1620	910	73	2080	1174	1720	1010	50	450	2250X150X180	15	17
	2120	1191	96	2580	1455	2220	1291	50	450	2250X150X180	20	22
	2620	1472	118	3080	1816	2720	1622	100	450	3260X210X200	26	28
	3120	1753	141	3580	2097	3220	1903	100	450	3760X210X200	32	34
	3620	2722	178	4080	3066	3720	2872	100	450	4260X210X200	38	40
4120	3098	203	4580	3442	4220	3248	100	450	4760X210X200	44	46	
1,6 (16:10)	1620	1013	75	2080	1277	1720	1113	50	450	2250X150X180	15	17
	2120	1325	98	2580	1589	2220	1425	50	450	2250X150X180	20	22
	2620	1638	122	3080	1982	2720	1788	100	450	3260X210X200	26	28
	3120	1950	145	3580	2294	3220	2100	100	450	3760X210X200	32	34
	3620	2722	178	4080	3066	3720	2872	100	450	4260X210X200	38	40
4120	3098	203	4580	3442	4220	3248	100	450	4760X210X200	44	46	
2,35 (21:9)	1620	689	69	2080	953	1720	789	50	450	2250X150X180	15	17
	2120	902	91	2580	1166	2220	1002	50	450	2250X150X180	20	22
	2620	1115	112	3080	1459	2720	1265	100	450	3260X210X200	26	28
	3120	1328	133	3580	1672	3220	1478	100	450	3760X210X200	32	34
	3620	2722	178	4080	3066	3720	2872	100	450	4260X210X200	38	40
4120	3098	203	4580	3442	4220	3248	100	450	4760X210X200	44	46	
2,37	1620	684	69	2080	948	1720	784	50	450	2250X150X180	15	17
	2120	895	91	2580	1159	2220	995	50	450	2250X150X180	20	22
	2620	1105	112	3080	1449	2720	1255	100	450	3260X210X200	26	28
	3120	1316	133	3580	1660	3220	1466	100	450	3760X210X200	32	34
	3620	2722	178	4080	3066	3720	2872	100	450	4260X210X200	38	40
4120	3098	203	4580	3442	4220	3248	100	450	4760X210X200	44	46	
2,40	1620	675	69	2080	939	1720	775	50	450	2250X150X180	15	17
	2120	883	90	2580	1147	2220	983	50	450	2250X150X180	20	22
	2620	1092	112	3080	1436	2720	1242	100	450	3260X210X200	26	28
	3120	1300	133	3580	1644	3220	1450	100	450	3760X210X200	32	34
	3620	2722	178	4080	3066	3720	2872	100	450	4260X210X200	38	40
4120	3098	203	4580	3442	4220	3248	100	450	4760X210X200	44	46	



In certain circumstances, due to the surface's height, it is necessary to use a case with the rolling tube of 90 mm.

Rugby Plus Tensio Classic 70 mm borders

Aspect Ratio	Viewing Width	Viewing Height	Diagonal Inches	Overall Width	Overall Height	Surface Width	Surface Height	Standard Drop	Total Maximum Drop	Packaging Dimensions	Net Weight	Gross Weight
	C	D	N	A	B	F	G	P	mm	mm	kg	kg
1,00 (1:1)	1580	1580	88	2080	1884	1680	1720	70	50	2260X150X180	15	17
	2080	2080	116	2580	2414	2180	2220	70	50	2760X210X200	20	22
	2580	2580	144	3080	2944	2680	2750	100	100	3260X210X200	26	28
1,33 (4:3)	1580	1188	78	2080	1492	1680	1328	70	450	2250X150X180	15	17
	2080	1564	102	2580	1868	2180	1704	70	450	2250X150X180	20	22
	2580	1940	127	3080	2304	2680	2110	100	450	3260X210X200	26	28
	3080	2316	152	3580	2680	3180	2486	100	450	3760X210X200	32	34
	3580	2692	176	4080	3056	3680	2862	100	450	4260X210X200	38	40
1,78 (16:9)	4080	3068	201	4580	3432	4180	3238	100	350	4760X210X200	44	46
	1580	888	71	2080	1192	1680	1028	70	450	2250X150X180	15	17
	2080	1169	94	2580	1473	2180	1309	70	450	2250X150X180	20	22
	2580	1449	117	3080	1813	2680	1619	100	450	3260X210X200	26	28
	3080	1730	139	3580	2094	3180	1900	100	450	3760X210X200	32	34
1,6 (16:10)	3580	2692	178	4080	3056	3680	2862	100	450	4260X210X200	38	40
	4080	3068	203	4580	3432	4180	3238	100	450	4760X210X200	44	46
	1580	988	73	2080	1292	1680	1128	70	450	2250X150X180	15	17
	2080	1300	97	2580	1604	2180	1440	70	450	2250X150X180	20	22
	2580	1613	120	3080	1977	2680	1783	100	450	3260X210X200	26	28
2,35 (21:9)	3080	1925	143	3580	2289	3180	2095	100	450	3760X210X200	32	34
	3580	2692	178	4080	3056	3680	2862	100	450	4260X210X200	38	40
	4080	3068	203	4580	3432	4180	3238	100	450	4760X210X200	44	46
	1580	672	68	2080	976	1680	812	70	450	2250X150X180	15	17
	2080	885	89	2580	1189	2180	1025	70	450	2250X150X180	20	22
2,37	2580	1098	110	3080	1462	2680	1268	100	450	3260X210X200	26	28
	3080	1311	132	3580	1675	3180	1481	100	450	3760X210X200	32	34
	3580	2692	178	4080	3056	3680	2862	100	450	4260X210X200	38	40
	4080	3068	203	4580	3432	4180	3238	100	450	4760X210X200	44	46
	1580	667	68	2080	971	1680	807	70	450	2250X150X180	15	17
2,40	2080	878	89	2580	1182	2180	1018	70	450	2250X150X180	20	22
	2580	1089	110	3080	1453	2680	1259	100	450	3260X210X200	26	28
	3080	1300	132	3580	1664	3180	1470	100	450	3760X210X200	32	34
	3580	2692	178	4080	3056	3680	2862	100	450	4260X210X200	38	40
	4080	3068	203	4580	3432	4180	3238	100	450	4760X210X200	44	46



In certain circumstances, due to the surface's height, it is necessary to use a case with the rolling tube of 90 mm.



Surface Fireproof Certifications