

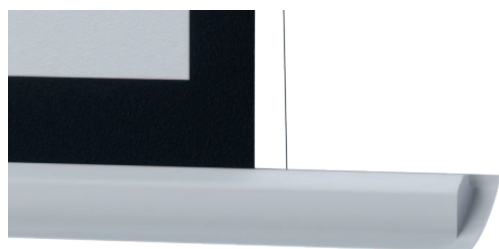


The Rugby PLUS motorized screen has been developed for home installations where design, attention of detail and functionality are nowadays a must-have.

In this model, the side heads are composed of two parts which are made of milled aluminium and have a magnet fixing system that conceals the internal heads where the roller and motor are mounted, thus making the screen trim and linear.

The insertion of rubber bushings for the absorption of vibrations between the case and the roller ensure a noiseless product, greatly appreciated in residential environments. This screen model has an improved fixing system that allows symmetrical installation regardless how the surface falls (front or rear).

Rugby PLUS also comes with an automatic lower bar locking system that guarantees perfect closure of the case.

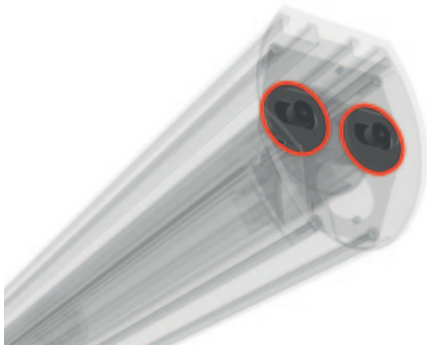


Lowbar design detail ▲

In the Rugby range, rollers of different diameters are used based on the size of the projection viewing area. Rolls of 90 mm are mounted on sizes over 2500 mm and up to 4500 mm of viewing area width. In the non-tensioned version, the Rugby PLUS screens are available with or without edges.

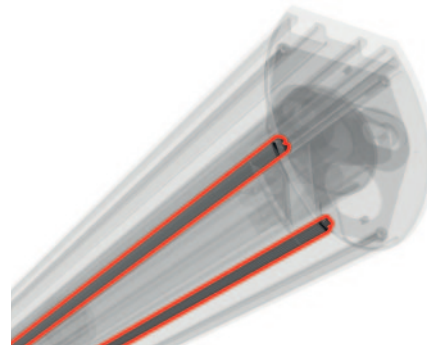
Case and lower bar are available in matt white or matt black.

Back fall for the surface is the standard. Front fall or reverse-roll are also available as options. Motor is on the right side (standard). It can also be ordered on the left side (optional).



Quiet Rolling System

Using a double head enables the insertion of rubber bushings to absorb vibrations between the case and the roller. This system reduces the noise of the screen, which will be highly appreciated in residential environments.



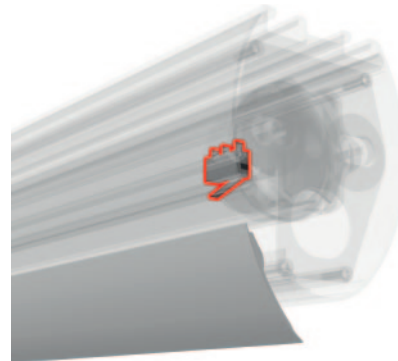
Softend Lowbar System

Designed using soft gaskets that dampen noise and absorb contacts when closing the lower bar.



SuperQuick Bracket Attachment System

The screen is supplied with an improved rapid and user-friendly fixing system for both wall and ceiling mounting. The clamping has been designed adopting symmetrical logics to enable both front and back mounting. The bracket kit consists of a single fixing unit (extruded aluminium bracket) and a single clamping unit (PVC moulded block), significantly reducing the number of parts.



Auto Adjustment System

Another feature of the Rugby PLUS model is the use of a micro switch that ensures that the lower bar is always locked in the same position when closed. This auto-adjustment system means that there is no need for the customer to correct any stretching of the screen over time.

Create your own screen with the PSS

- > **Personalized dimensions:** width and height
- > **Motor type:** standard motor or RTS radio-integrated motor (optional) or IO silent radio-integrated motor (optional)
- > **Case:** with quick-installation system
- > **Case color:** available in matt white or matt black
- > **Standard Drop:** from 5 to 45 cm
- > **Projection surface fall:** back (standard), front or reverse-roll (optional)
- > **Side of command/motor:** right (standard) or left (optional)

Projection Surfaces (see page 6)

- > VisionWhite / VisionWhitePro
- > ReferenceWhite / ReferenceGrey
- > VisionAcoustik
- > VisionRear DB and VisionRear, only without black borders

Standard Accessories

- > SuperQuick Bracket Attachment System, quick installation wall or ceiling brackets
- > Softend Lowbar System, rubber shock absorbers between the lower bar and case
- > Quiet Rolling System, rubber shock absorbers between the roller and case
- > Auto Adjustment System, limit switch automatic adjustment
- > Single-pole switch

Optional Accessories

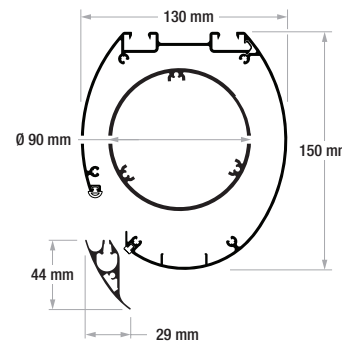
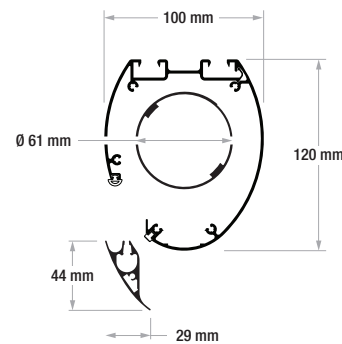
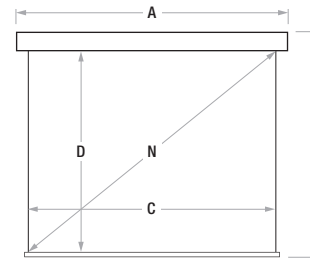
- > Receiver and RF remote control for motorized screen (3 modalities: basic, automatic and compatible with domotic systems)
- > SRI motor option RF radio-integrated standard receiver and transmitter
- > SIO IO-homecontrol® motor option RF radio-integrated with transmitter
- > Receiver and infrared remote control
- > Extension brackets for screens up to 60 cm
- > Screen lift

PSS Formats

1:1	1.33:1	1.60:1	1.78:1	2.35:1	2.37:1	2.39:1	2.40:1
	4:3	16:10	16:9	21:9			

Rugby Plus Without borders

Aspect ratio	Viewing Width	Viewing Height	Diagonal Inches	Overall Width	Overall Height	Packaging Dimensions	Net Weight	Gross Weight
	C	D	N	A	B	mm	kg	kg
1.00 (1:1)	2000	2000	111	2080	2164	2180X150X180	15	17
	2500	2500	139	2580	2694	2680X210X200	20	22
	3000	3000	167	3080	3194	3180X210X200	26	28
1.33 (4:3)	2000	1504	99	2080	1668	2180X150X180	15	17
	2500	1880	123	2580	2044	2680X210X200	20	22
	3000	2256	148	3080	2450	3180X210X200	26	28
	3500	2632	172	3580	2826	3680X210X200	32	34
	4000	3008	197	4080	3202	4180X210X200	38	40
1.6 (16:10)	2000	1250	93	2080	1414	2180X150X180	15	17
	2500	1563	116	2580	1727	2680X210X200	20	22
	3000	1875	139	3080	2069	3180X210X200	26	28
	3500	2188	162	3580	2382	3680X210X200	32	34
	4000	2500	186	4080	2694	4180X210X200	38	40
1.78 (16:9)	2000	1124	90	2080	1288	2180X150X180	15	17
	2500	1404	113	2580	1568	2680X210X200	20	22
	3000	1685	135	3080	1879	3180X210X200	26	28
	3500	1966	158	3580	2160	3680X210X200	32	34
	4000	2247	181	4080	2441	4180X210X200	38	40
2.35 (21:9)	2000	851	86	2080	1015	2180X150X180	15	17
	2500	1064	107	2580	1228	2680X210X200	20	22
	3000	1277	128	3080	1471	3180X210X200	26	28
	3500	1489	150	3580	1683	3680X210X200	32	34
	4000	1702	171	4080	1896	4180X210X200	38	40
2.37	2000	844	85	2080	1008	2180X150X180	15	17
	2500	1055	107	2580	1219	2680X210X200	20	22
	3000	1266	128	3080	1460	3180X210X200	26	28
	3500	1477	150	3580	1671	3680X210X200	32	34
	4000	1688	171	4080	1882	4180X210X200	38	40
2.39	2000	837	85	2080	1001	2180X150X180	15	17
	2500	1046	107	2580	1210	2680X210X200	20	22
	3000	1255	128	3080	1449	3180X210X200	26	28
	3500	1464	149	3580	1658	3680X210X200	32	34
	4000	1674	171	4080	1868	4180X210X200	38	40
2.40	2000	833	85	2080	997	2180X150X180	15	17
	2500	1042	107	2580	1206	2680X210X200	20	22
	3000	1250	128	3080	1444	3180X210X200	26	28
	3500	1458	149	3580	1652	3680X210X200	32	34
	4000	1667	171	4080	1861	4180X210X200	38	40



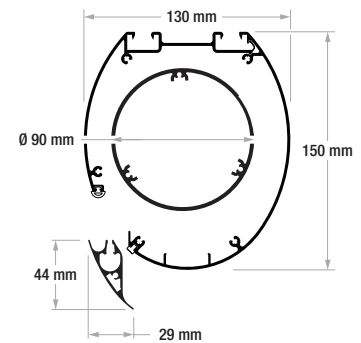
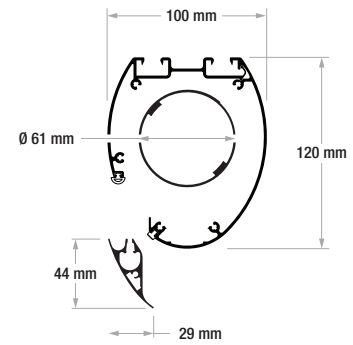
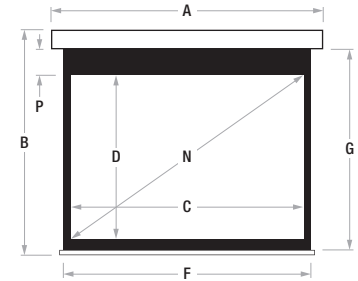
In certain circumstances, due to the surface's height, it is necessary to use a case with the rolling tube of 90 mm.



Surface
Fireproof
Certifications

Rugby Plus 50 mm borders

Aspect Ratio	Viewing Width	Viewing Height	Diagonal Inches	Overall Width	Overall Height	Surface Width	Surface Height	Standard Drop	Total Maximum Drop	Packaging Dimensions	Net Weight	Gross Weight
	C	D	N	A	B	F	G	P	mm			
1.00 (1:1)	1900	1900	106	2080	2164	2000	2000	50	50	2344X150X180	15	17
	2400	2400	134	2580	2694	2500	2500	50	50	2874X210X200	20	22
	2900	2900	161	3080	3244	3000	3050	100	50	3374X210X200	26	28
1.33 (4:3)	1900	1429	94	2080	1693	2000	1529	50	450	2080X150X180	15	17
	2400	1805	118	2580	2069	2500	1905	50	450	2580X150X180	20	22
	2900	2180	143	3080	2524	3000	2330	100	450	3080X210X200	26	28
	3400	2556	167	3580	2900	3500	2706	100	450	3580X210X200	32	34
	3900	2932	192	4080	3276	4000	3082	100	450	4080X210X200	38	40
4400	3308	217	4580	3652	4500	3458	100	150	4580X210X200	44	46	
1.6 (16:10)	1900	1188	88	2080	1452	2000	1288	50	450	2080X150X180	15	17
	2400	1500	111	2580	1764	2500	1600	50	450	2580X150X180	20	22
	2900	1813	135	3080	2157	3000	1963	100	450	3080X210X200	26	28
	3400	2125	158	3580	2469	3500	2275	100	450	3580X210X200	32	34
	3900	2438	181	4080	2782	4000	2588	100	450	4080X210X200	38	40
4400	2750	204	4580	3094	4500	2900	100	450	4580X210X200	44	46	
1.78 (16:9)	1900	1067	86	2080	1331	2000	1167	50	450	2080X150X180	15	17
	2400	1348	108	2580	1612	2500	1448	50	450	2580X150X180	20	22
	2900	1629	131	3080	1973	3000	1779	100	450	3080X210X200	26	28
	3400	1910	154	3580	2254	3500	2060	100	450	3580X210X200	32	34
	3900	2191	176	4080	2535	4000	2341	100	450	4080X210X200	38	40
4400	2472	199	4580	2816	4500	2622	100	450	4580X210X200	44	46	
2.35 (21:9)	1900	809	81	2080	1073	2000	909	50	450	2080X150X180	15	17
	2400	1021	103	2580	1285	2500	1121	50	450	2580X150X180	20	22
	2900	1234	124	3080	1578	3000	1384	100	450	3080X210X200	26	28
	3400	1447	145	3580	1791	3500	1597	100	450	3580X210X200	32	34
	3900	1660	167	4080	2004	4000	1810	100	450	4080X210X200	38	40
4400	1872	188	4580	2216	4500	2022	100	450	4580X210X200	44	46	
2.37	1900	802	81	2080	1066	2000	902	50	450	2080X150X180	15	17
	2400	1013	103	2580	1277	2500	1113	50	450	2580X150X180	20	22
	2900	1224	124	3080	1568	3000	1374	100	450	3080X210X200	26	28
	3400	1435	145	3580	1779	3500	1585	100	450	3580X210X200	32	34
	3900	1646	167	4080	1990	4000	1796	100	450	4080X210X200	38	40
4400	1857	188	4580	2201	4500	2007	100	450	4580X210X200	44	46	
2.39	1900	795	81	2080	1059	2000	895	50	450	2080X150X180	15	17
	2400	1004	102	2580	1268	2500	1104	50	450	2580X150X180	20	22
	2900	1213	124	3080	1557	3000	1363	100	450	3080X210X200	26	28
	3400	1423	145	3580	1767	3500	1573	100	450	3580X210X200	32	34
	3900	1632	166	4080	1976	4000	1782	100	450	4080X210X200	38	40
4400	1841	188	4580	2185	4500	1991	100	450	4580X210X200	44	46	
2.40	1900	792	81	2080	1056	2000	892	50	450	2080X150X180	15	17
	2400	1000	102	2580	1264	2500	1100	50	450	2580X150X180	20	22
	2900	1208	124	3080	1552	3000	1358	100	450	3080X210X200	26	28
	3400	1417	145	3580	1761	3500	1567	100	450	3580X210X200	32	34
	3900	1625	166	4080	1969	4000	1775	100	450	4080X210X200	38	40
4400	1833	188	4580	2177	4500	1983	100	450	4580X210X200	44	46	



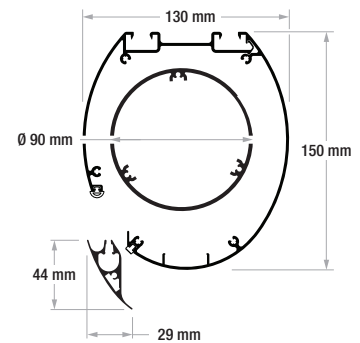
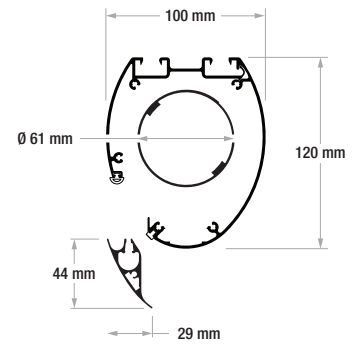
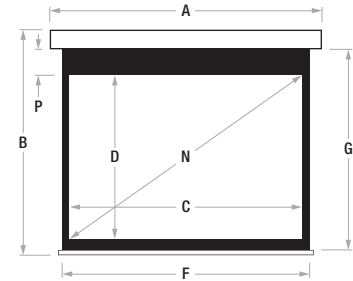
In certain circumstances, due to the surface's height, it is necessary to use a case with the rolling tube of 90 mm.



Surface Fireproof Certifications

Rugby Plus 70 mm borders

Aspect Ratio	Viewing Width	Viewing Height	Diagonal Inches	Overall Width	Overall Height	Surface Width	Surface Height	Standard Drop	Total Maximum Drop	Packaging Dimensions	Net Weight	Gross Weight
	C	D	N	A	B	F	G	P	mm	mm	kg	kg
1.00 (1:1)	1860	1860	104	2080	2164	2000	2000	70	70	2344X150X180	15	17
	2360	2360	131	2580	2694	2500	2500	70	70	2874X210X200	20	22
	2860	2860	159	3080	3224	3000	3030	100	70	3374X210X200	26	28
1.33 (4:3)	1860	1398	92	2080	1702	2000	1538	70	450	2040X150X180	15	17
	2360	1774	116	2580	2078	2500	1914	70	450	2540X150X180	20	22
	2860	2150	141	3080	2514	3000	2320	100	450	3040X210X200	26	28
	3360	2526	166	3580	2890	3500	2696	100	450	3540X210X200	32	34
	3860	2902	190	4080	3266	4000	3072	100	450	4040X210X200	38	40
1.6 (16:10)	4360	3278	215	4580	3642	4500	3448	100	150	4540X210X200	44	46
	1860	1163	86	2080	1467	2000	1303	70	450	2040X150X180	15	17
	2360	1475	110	2580	1779	2500	1615	70	450	2540X150X180	20	22
	2860	1788	133	3080	2152	3000	1958	100	450	3040X210X200	26	28
	3360	2100	156	3580	2464	3500	2270	100	450	3540X210X200	32	34
1.78 (16:9)	3860	2413	179	4080	2777	4000	2583	100	450	4040X210X200	38	40
	4360	2725	202	4580	3089	4500	2895	100	450	4540X210X200	44	46
	1860	1045	84	2080	1349	2000	1185	70	450	2040X150X180	15	17
	2360	1326	107	2580	1630	2500	1466	70	450	2540X150X180	20	22
	2860	1607	129	3080	1971	3000	1777	100	450	3040X210X200	26	28
2.35 (21:9)	3360	1888	152	3580	2252	3500	2058	100	450	3540X210X200	32	34
	3860	2169	174	4080	2533	4000	2339	100	450	4040X210X200	38	40
	4360	2449	197	4580	2813	4500	2619	100	450	4540X210X200	44	46
	1860	791	80	2080	1095	2000	931	70	450	2040X150X180	15	17
	2360	1004	101	2580	1308	2500	1144	70	450	2540X150X180	20	22
2.37	2860	1217	122	3080	1581	3000	1387	100	450	3040X210X200	26	28
	3360	1430	144	3580	1794	3500	1600	100	450	3540X210X200	32	34
	3860	1643	165	4080	2007	4000	1813	100	450	4040X210X200	38	40
	4360	1855	187	4580	2219	4500	2025	100	450	4540X210X200	44	46
	2.39	1860	785	79	2080	1089	2000	925	70	450	2040X150X180	15
2360		996	101	2580	1300	2500	1136	70	450	2540X150X180	20	22
2860		1207	122	3080	1571	3000	1377	100	450	3040X210X200	26	28
3360		1418	144	3580	1782	3500	1588	100	450	3540X210X200	32	34
3860		1629	165	4080	1993	4000	1799	100	450	4040X210X200	38	40
2.40	4360	1840	186	4580	2204	4500	2010	100	450	4540X210X200	44	46
	1860	778	79	2080	1082	2000	918	70	450	2040X150X180	15	17
	2360	987	101	2580	1291	2500	1127	70	450	2540X150X180	20	22
	2860	1197	122	3080	1561	3000	1367	100	450	3040X210X200	26	28
	3360	1406	143	3580	1770	3500	1576	100	450	3540X210X200	32	34
2.40	3860	1615	165	4080	1979	4000	1785	100	450	4040X210X200	38	40
	4360	1824	186	4580	2188	4500	1994	100	450	4540X210X200	44	46
	1860	775	79	2080	1079	2000	915	70	450	2040X150X180	15	17
	2360	983	101	2580	1287	2500	1123	70	450	2540X150X180	20	22
	2860	1192	122	3080	1556	3000	1362	100	450	3040X210X200	26	28
2.40	3360	1400	143	3580	1764	3500	1570	100	450	3540X210X200	32	34
	3860	1608	165	4080	1972	4000	1778	100	450	4040X210X200	38	40
	4360	1817	186	4580	2181	4500	1987	100	450	4540X210X200	44	46



In certain circumstances, due to the surface's height, it is necessary to use a case with the rolling tube of 90 mm.



Surface Fireproof Certifications