

Integrated motorized tensioned screen without casing.

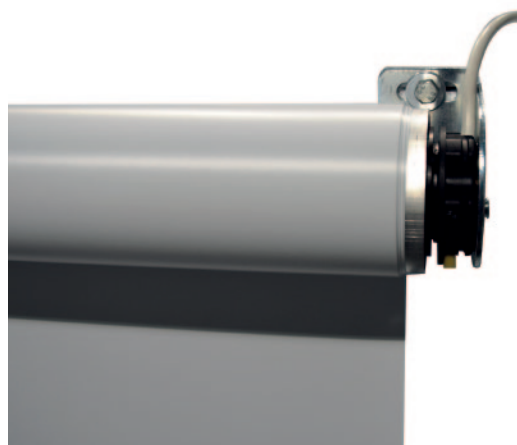
This screen has been developed for professional installation, where the casing is not required.

Easy to install with installation brackets into the sides, is a screen that can be placed on wall or on ceiling in almost every spaces.

Basic Tensio can count on the CTS (Constant Tensio System), which ensures the constant self-tensioning of the screen by means of two counterweights hooked onto hinges placed at the end of the screen lower bar, devised for tensioning rigid cables threaded through lateral eyelets.

The screen can be supplied with standard motor or in RI version, with all surfaces available for motorized screen version and in version tensio all white.

See page **96**  
for Technical data



▲ Roller and installation system detail



▲ CTS tensioning system detail

#### Create your own screen with the PSS

- > **Personalized dimensions:** width and height
- > **Motor type:** standard or radio integrated (optional)
- > **Case:** available only without case
- > **Projection surface fall:** back (standard), front or reverse-roll (optional)
- > **Side of command/motor:** right (standard) or left (optional)

#### Projection Surfaces (see page 6)

- > VisionWhite / VisionWhitePro
- > ReferenceWhite / ReferenceGrey
- > VisionAcoustik / VisionMacroAcoustik
- > VisionRear DB and VisionRear, only without black borders

#### Standard Accessories

- > 1 Kit of side installation brackets
- > 1 switch with directional arrows, inclusive of wall mount hood
- > 1 plastic hex wrench

#### Optional Accessories

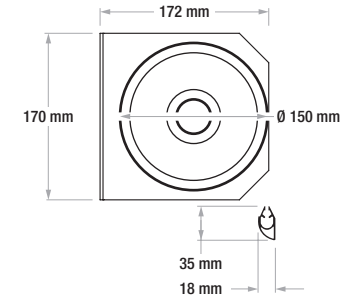
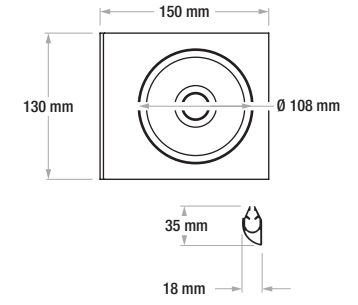
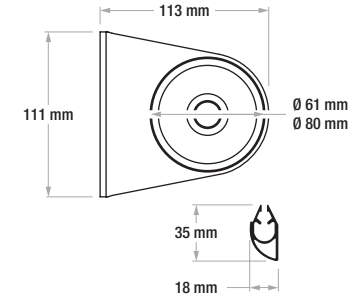
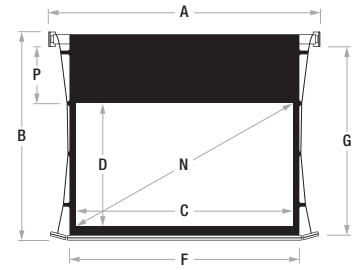
- > Receiver and RF remote control for motorized screen
- > Receiver and infrared remote control
- > Extension brackets for screens up to 60 cm

#### PSS Formats

1:1	1.33:1	1.60:1	1.78:1	2.35:1	2.37:1	2.39:1	2.40:1
	4:3	16:10	16:9	21:9			

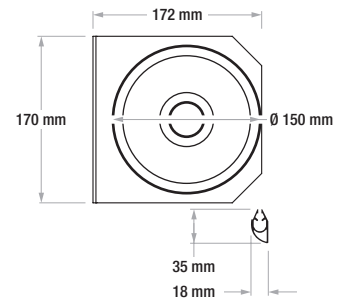
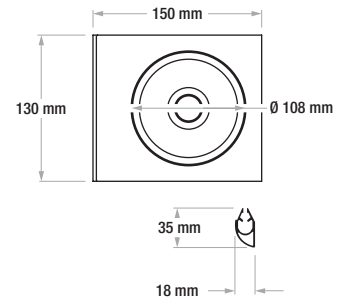
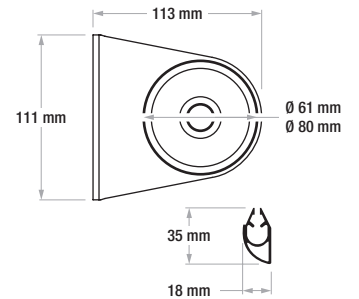
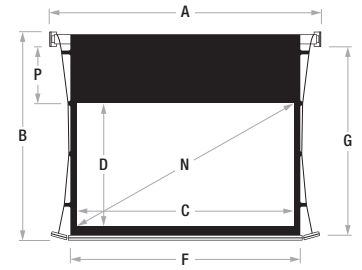
Basic Tensio CTS 50 mm borders

Aspect ratio	Viewing Width	Viewing Height	Diagonal Inches	Overall Width	Overall Height	Surface Width	Surface Height	Standard Drop	Total Maximum Drop	Packaging Dimensions	Net Weight	Gross Weight
	C	D	N	A	B	F	G	P	mm	mm	kg	kg
1.00 (1:1)	2000	2000	111	2420	2246	2100	2100	50	50	2620x150x180	10	11
	2500	2500	139	2920	2746	2600	2600	50	50	3120x150x180	12	15
	3000	3000	167	3420	3246	3100	3100	50	50	3620x150x180	22	25
1.33 (4:3)	2000	1504	99	2420	2150	2100	1604	50	450	2620x150x180	10	11
	2500	1880	123	2920	2376	2600	1980	50	300	3120x150x180	12	15
	3000	2256	148	3420	2902	3100	2406	100	450	3620x150x180	22	25
	3500	2632	172	3920	3178	3600	2782	100	350	4120x150x180	25	30
	4000	3008	197	4430	3423	4100	3158	100	200	4630x150x180	33	39
	4500	3383	222	4930	3798	4600	3533	100	200	5130x150x180	38	43
1.60 (16:10)	5000	3759	246	5480	4214	5100	3909	100	200	5680x150x180	53	75
	5500	4135	271	5980	4590	5600	4285	100	200	6180x150x180	59	81
	2000	1250	93	2420	1896	2100	1350	50	450	2620x150x180	10	11
	2500	1563	116	2920	2209	2600	1663	50	450	3120x150x180	12	15
	3000	1875	139	3420	2521	3100	2025	100	450	3620x150x180	22	25
	3500	2188	162	3920	2834	3600	2338	100	450	4120x150x180	25	30
1.78 (16:9)	4000	2500	186	4430	2915	4100	2650	100	200	4630x150x180	33	39
	4500	2813	209	4930	3228	4600	2963	100	200	5130x150x180	38	43
	5000	3125	232	5480	3580	5100	3275	100	200	5680x150x180	53	75
	5500	3438	255	5980	3893	5600	3588	100	200	6180x150x180	59	81
	2000	1124	90	2420	1770	2100	1224	50	450	2620x150x180	10	11
	2500	1404	113	2920	2050	2600	1504	50	450	3120x150x180	12	15
2.35 (21:9)	3000	1685	135	3420	2331	3100	1835	100	450	3620x150x180	22	25
	3500	1966	158	3920	2612	3600	2116	100	450	4120x150x180	25	30
	4000	2247	181	4430	2912	4100	2397	100	450	4630x150x180	33	39
	4500	2528	203	4930	3193	4600	2678	100	450	5130x150x180	38	43
	5000	2809	226	5480	3264	5100	2959	100	200	5680x150x180	53	75
	5500	3090	248	5980	3545	5600	3240	100	200	6180x150x180	59	81
2.37	2000	851	86	2420	1497	2100	951	50	450	2620x150x180	10	11
	2500	1064	107	2920	1710	2600	1164	50	450	3120x150x180	12	15
	3000	1277	128	3420	1923	3100	1427	100	450	3620x150x180	22	25
	3500	1489	150	3920	2135	3600	1639	100	450	4120x150x180	25	30
	4000	1702	171	4430	2367	4100	1852	100	450	4630x150x180	33	39
	4500	1915	193	4930	2580	4600	2065	100	450	5130x150x180	38	43
2.39	5000	2128	214	5480	2583	5100	2278	100	200	5680x150x180	53	75
	5500	2340	235	5980	2795	5600	2490	100	200	6180x150x180	59	81
	2000	844	85	2420	1490	2100	944	50	450	2620x150x180	10	11
	2500	1055	107	2920	1701	2600	1155	50	450	3120x150x180	12	15
	3000	1266	128	3420	1912	3100	1416	100	450	3620x150x180	22	25
	3500	1477	150	3920	2123	3600	1627	100	450	4120x150x180	25	30
2.40	4000	1688	171	4430	2353	4100	1838	100	450	4630x150x180	33	39
	4500	1899	192	4930	2564	4600	2049	100	450	5130x150x180	38	43
	5000	2110	214	5480	2565	5100	2260	100	200	5680x150x180	53	75
	5500	2321	235	5980	2776	5600	2471	100	200	6180x150x180	59	81
	2000	837	85	2420	1483	2100	937	50	450	2620x150x180	10	11
	2500	1046	107	2920	1692	2600	1146	50	450	3120x150x180	12	15
2.40	3000	1255	128	3420	1901	3100	1405	100	450	3620x150x180	22	25
	3500	1464	149	3920	2110	3600	1614	100	450	4120x150x180	25	30
	4000	1674	171	4430	2339	4100	1824	100	450	4630x150x180	33	39
	4500	1883	192	4930	2548	4600	2033	100	450	5130x150x180	38	43
	5000	2092	213	5480	2547	5100	2242	100	200	5680x150x180	53	75
	5500	2301	235	5980	2756	5600	2451	100	200	6180x150x180	59	81



## Basic Tensio CTS 70 mm borders

Aspect Ratio	Viewing Width	Viewing Height	Diagonal Inches	Overall Width	Overall Height	Surface Width	Surface Height	Standard Drop	Total Maximum Drop	Packaging Dimensions	Net Weight	Gross Weight
	C	D	N	A	B	F	G	P	mm	mm	kg	kg
1.00 (1:1)	2000	2000	111	2460	2286	2140	2140	70	70	2660x150x180	10	11
	2500	2500	139	2960	2786	2640	2640	70	70	3160x150x180	12	15
	3000	3000	167	3460	3286	3140	3140	70	70	3660x150x180	22	25
1.33 (4:3)	2000	1504	99	2460	1790	2140	1644	70	450	2660x150x180	10	11
	2500	1880	123	2960	2166	2640	2020	70	300	3160x150x180	12	15
	3000	2256	148	3460	2572	3140	2426	100	450	3660x150x180	22	25
	3500	2632	172	3960	2948	3640	2802	100	350	4160x150x180	25	30
	4000	3008	197	4470	3343	4140	3178	100	200	4670x150x180	33	39
	4500	3383	222	4970	3718	4640	3553	100	200	5170x150x180	38	43
1.60 (16:10)	5000	3759	246	5520	4134	5140	3929	100	200	5720x150x180	53	75
	5500	4135	271	6020	4510	5640	4305	100	200	6220x150x180	59	81
	2000	1250	93	2460	1536	2140	1390	70	450	2660x150x180	10	11
	2500	1563	116	2960	1849	2640	1703	70	450	3160x150x180	12	15
	3000	1875	139	3460	2191	3140	2045	100	450	3660x150x180	22	25
	3500	2188	162	3960	2504	3640	2358	100	450	4160x150x180	25	30
1.78 (16:9)	4000	2500	186	4470	2835	4140	2670	100	200	4670x150x180	33	39
	4500	2813	209	4970	3148	4640	2983	100	200	5170x150x180	38	43
	5000	3125	232	5520	3500	5140	3295	100	200	5720x150x180	53	75
	5500	3438	255	6020	3813	5640	3608	100	200	6220x150x180	59	81
	2000	1124	90	2460	1410	2140	1264	70	450	2660x150x180	10	11
	2500	1404	113	2960	1690	2640	1544	70	450	3160x150x180	12	15
2.35 (21:9)	3000	1685	135	3460	2001	3140	1855	100	450	3660x150x180	22	25
	3500	1966	158	3960	2282	3640	2136	100	450	4160x150x180	25	30
	4000	2247	181	4470	2582	4140	2417	100	450	4670x150x180	33	39
	4500	2528	203	4970	2863	4640	2698	100	450	5170x150x180	38	43
	5000	2809	226	5520	3184	5140	2979	100	200	5720x150x180	53	75
	5500	3090	248	6020	3465	5640	3260	100	200	6220x150x180	59	81
2.37	2000	851	86	2460	1137	2140	991	70	450	2660x150x180	10	11
	2500	1064	107	2960	1350	2640	1204	70	450	3160x150x180	12	15
	3000	1277	128	3460	1593	3140	1447	100	450	3660x150x180	22	25
	3500	1489	150	3960	1805	3640	1659	100	450	4160x150x180	25	30
	4000	1702	171	4470	2037	4140	1872	100	450	4670x150x180	33	39
	4500	1915	193	4970	2250	4640	2085	100	450	5170x150x180	38	43
2.39	5000	2128	214	5520	2503	5140	2298	100	200	5720x150x180	53	75
	5500	2340	235	6020	2715	5640	2510	100	200	6220x150x180	59	81
	2000	844	85	2460	1130	2140	984	70	450	2660x150x180	10	11
	2500	1055	107	2960	1341	2640	1195	70	450	3160x150x180	12	15
	3000	1266	128	3460	1582	3140	1436	100	450	3660x150x180	22	25
	3500	1477	150	3960	1793	3640	1647	100	450	4160x150x180	25	30
2.40	4000	1688	171	4470	2023	4140	1858	100	450	4670x150x180	33	39
	4500	1899	192	4970	2234	4640	2069	100	450	5170x150x180	38	43
	5000	2110	214	5520	2485	5140	2280	100	200	5720x150x180	53	75
	5500	2321	235	6020	2696	5640	2491	100	200	6220x150x180	59	81
	2000	837	85	2460	1123	2140	977	70	450	2660x150x180	10	11
	2500	1046	107	2960	1332	2640	1186	70	450	3160x150x180	12	15
2.40	3000	1255	128	3460	1571	3140	1425	100	450	3660x150x180	22	25
	3500	1464	149	3960	1780	3640	1634	100	450	4160x150x180	25	30
	4000	1674	171	4470	2009	4140	1844	100	450	4670x150x180	33	39
	4500	1883	192	4970	2218	4640	2053	100	450	5170x150x180	38	43
	5000	2092	213	5520	2467	5140	2262	100	200	5720x150x180	53	75
	5500	2301	235	6020	2676	5640	2471	100	200	6220x150x180	59	81



Surface Fireproof Certifications