

SONY

VPL-GTZ280

4K SXRD® 5000lm* / 2000lm Laser Light Source Projector

Sony combines the best of its projection technologies, 4K SXRD imager and Z-Phosphor™ laser light source, to create a projector with native 4K resolution, high-speed signal processing, fast motion blur reduction, infrared light output for night vision, and vibration resistance – all ideal for visualization, simulation and training applications.

*5000lm with LSM-BRIN1 optional upgrade

Key Features/Benefits

Great Image Quality

- Native 4K resolution
- Super high contrast ratio
- Reality Creation 4K upscaling
- HDR compatible*¹
- 120Hz input*¹
- Smear reduction
- Fine multi-projection blending

Virtually Zero Maintenance

- Long-life optics up to 20,000h (up to 40,000h using the LSM-BRIN1 optional upgrade)*²
- Sealed optics for dust-resistance
- Auto calibration
- Constant brightness mode using the LSM-BRIN1 optional upgrade

Advanced Usability

- Complete tilt-angle free
- One-way air flow and liquid cooling system with low noise operation
- Quick start enhances operation
- Low transport delay
- Infrared light output*¹ for night vision goggle stimulation



Model		VPL-GTZ280
Display System		4K SXRD panel, projection system
Display device	Size of effective display area	0.74" x 3
	Number of pixels	26,542,080 (4096 x 2160 x 3) pixels
Projection lens* ³	Focus	Powered
	Zoom	Powered
Light Source		Laser diode
Light output		2,000 lm 5,000 lm using the LSM-BRIN1 optional upgrade
Color light output		2,000 lm 5,000 lm using the LSM-BRIN1 optional upgrade
Contrast ratio		Up to 20,000:1* ² (native contrast)
Accepted digital signals* ⁴		VGA, SVGA, XGA, WXGA(1280x768), Quad-VGA, SXGA, 720x480/60p, 720x576/50p, 1280x720/50p, 1280x720/60p, 1920x1080/24p, 1920x1080/50p, 1920x1080/60p, 3840x2160/24p, 3840x2160/50p, 3840x2160/60p, 3840x2160/100P, 3840x2160/120P, 4096x2160/24p, 4096x2160/50p, 4096x2160/60p, 4096x2160/100P, 4096x2160/120P
Color bit depth		Up to 10 bit
INPUT OUTPUT (Computer/Video/Control)	Display Port	4 inputs (HDCP 1.3 x 2, HDCP 1.3 for V Split x 2), Digital (RGB)
	TRIGGER	2 connectors, Mini jack, DC 12V Max.100 mA
	REMOTE	RS-232C, D-sub 9-pin (female)
	LAN	RJ45, 10BASE-T/100BASE-TX
	IR IN / OUT	IN:1, Out:1, Mini jack
	SYNC	IN:1, Out:1
USB	Type A	
OSD languages		18-languages (English, Dutch, French, Italian, German, Spanish, Portuguese, Turkish, Russian, Swedish, Norwegian, Japanese, Simplified Chinese, Traditional Chinese, Korean, Thai, Arabic, Polish)
Acoustic noise		30 dB ~ 35 dB* ²
Operating temperature / Operating humidity		5°C to 40°C (41° F to +104° F)/20% to 80% (no condensation)
Storage temperature / Storage humidity		-10°C to +60°C (14° F to +140° F)/20% to 80% (no condensation)
Power requirements		AC 220 V to 240 V, 6 A, 50/60 Hz (For Europe and China) AC 100 V to 240 V, 12 A to 6 A, 50/60 Hz (For the other countries)
Power consumption		MAX. 1.2 kW
Power consumption (Standby Mode)		0.4 W (When "Remote Start" is set to "Off")
Power consumption (Networked Standby Mode)		0.6 W (LAN) (When "Remote Start" is set to "On")
Heat dissipation		4092 BTU/h
Dimensions (W x H x D)		550 x 228 x 750 mm (21 21/32 x 8 31/32 x 29 17/32 in) (without protrusions) 550 x 262 x 750 mm (21 21/32 x 10 5/16 x 29 17/32 in)
Mass		Approx. 40 kg / 88 lb (excluding lens)
Supplied accessories		RM-PJ29 Remote Commander (1), Size AA (R6) Manganese Batteries (2), AC Power Cord (1), Operating Instructions (CD-ROM) (1)

*¹ Optional feature

*² This value is approximate. Depends on the projector setting condition and usage environment

*³ The lenses are optional accessories

*⁴ 60p,30p,24p include 59.94/60Hz, 29.97Hz/30Hz, 23.98Hz/24Hz



OPTIONAL LENSES

Projection lens	VPLL-Z7008	VPLL-Z7013
		
Throw ratio	0.80:1 to 1.02:1	1.27:1 to 2.73:1
Zoom / Focus	Powered/Powered	Powered/Powered
Lens shift	Powered, Vertical: +/- 50 %, Horizontal: +/- 18 %	Powered, Vertical: +/- 80 %, Horizontal: +/- 31 %
Aperture	f/2.9	f/2.9 to 3.9
Screen size*	60" to 1000"	60" to 300"
Dimensions	Wide W 134 x H 131 x D 309 mm (W 5 9/32 x H 5 5/32 x D 12 5/32 in) Tele W 134 x H 131 x D 283 mm (W 5 9/32 x H 5 5/32 x D 11 5/32 in)	W 131 mm x H 131 mm x D 252 mm (W 5 5/32 x H 5 5/32 x D 9 29/32 in)
Mass	3.7 kg / 8.2 lb	2.6 kg / 5.7 lb

OPTIONAL ACCESSORIES

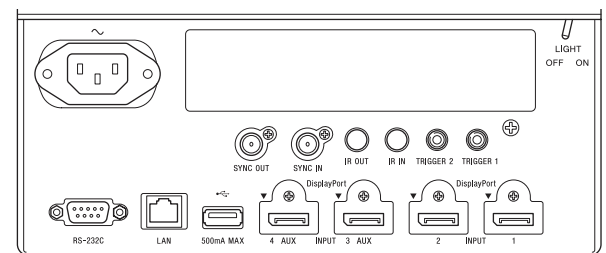


TDG-BT500A
3D Glasses

OPTIONAL LICENSES

Optional feature	Model name
Brightness Increase (+3000lm)	LSM-BRIN1
HDR compatible	LSM-HDR1
120Hz input	LSM-120P1
Infrared light output	LSM-NVG1

CONNECTOR PANELS



LASER NOTICES
IEC 60825-1:2007



IEC 60825-1:2014

CLASS 1 LASER PRODUCT
RISK GROUP 2 to IEC 62471:2006
Caution: Possibly hazardous optical radiation emitted from this product.

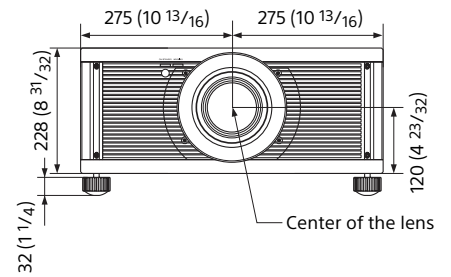


Distributed by

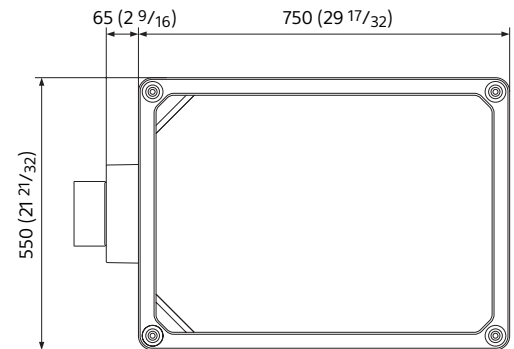
DIMENSIONS

Front

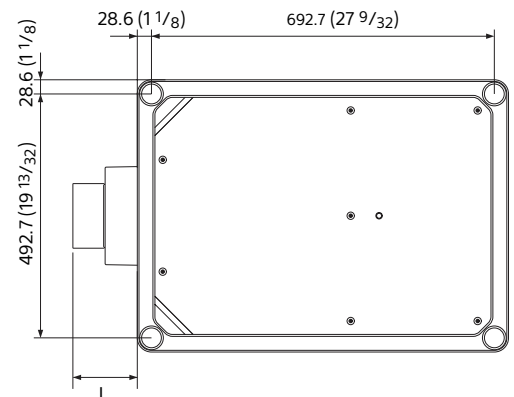
Unit: mm (inches)



Top



Bottom



The distance L is between the front of the lens (center) and the front of the cabinet.

Unit: mm (inches)

Lens	L
VPLL-Z7008	Wide 185.2 (7 9/32) / Tele 159.0 (6 1/4)
VPLL-Z7013	130.2 (5 1/8)