



The unique style of the Elegance screen comes with two types of tensioning. The CTS (Constant Tension System) is equipped with two counterweights, hooked onto hinges placed at the ends of the screen base: these tension rigid cables threaded through the lateral eyelets, guaranteeing constant self-tensioning and a smooth, crease-free rolling, owing to the fact that the eyelets are positioned outside the screen's surface. The ideal solution for those who put technical performance first. But since aesthetics are important, there is also the classic system, in which the cables are elastic. Threaded through the eyelets, they create a lateral curve of the surface, which is useful to prevent the formation of creases, despite the presence of the eyelets (see page 8). In both cases the additional elements maintain the harmonious lines of the lateral sides and of the abutting base. Providing customized aesthetics and optimal planarity in one product.

Create you own screen with the PSS:

- > **personalized dimensions:** width and height
- > **roller type:** motorized or radio integrated
- > **case:** with standard or quick-installation case
- > **case color:** available in white or black
- > **projection surfaces:** ReferenceWhite, ReferenceGrey, VisionWhite, VisionWhitePro, and VisionAcoustik only with black border
- > **height of top:** from 5 to 45 cm
- > **projection surface drop:** front or rear
- > **side of command/motor:** right or left

Standard accessories:

- > kit with wall -or ceiling- mount brackets
- > unipolar selector switch
- > remote control (only for radio-integrated version)

Optional accessories:

- > receiver and RF remote control for motorized screen (3 modalities: basic, automatic and compatible with domotic systems)
- > receiver and infrared remote control
- > bracket extensions for screens up to 60 cm



Surfaces Fireproof Certification

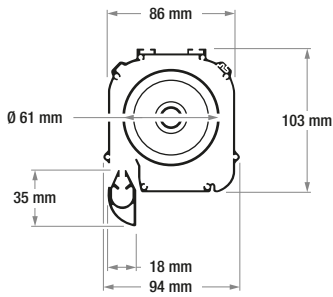
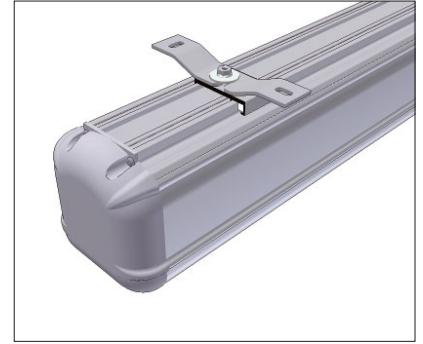
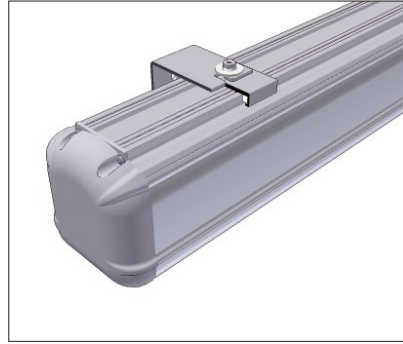
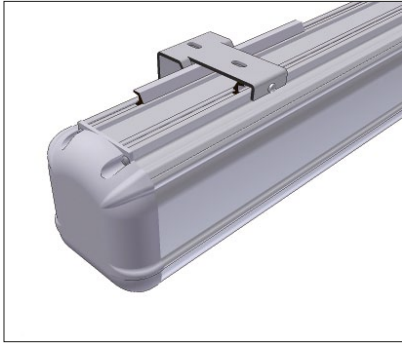
B1 M1

Standard formats

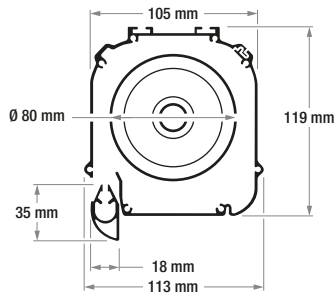


PSS formats



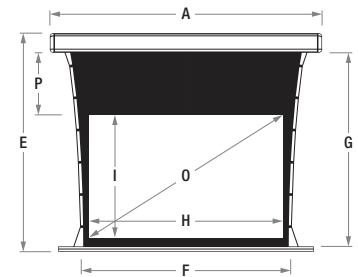
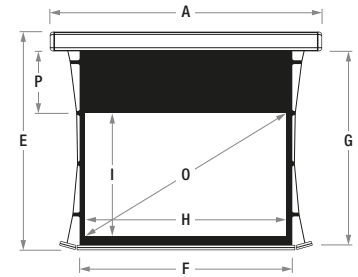


* Up to 250 cm base



** From 250 cm base

* In certain circumstances due to the surface's height it is necessary to use a case with the rolling tube of 80 mm



Format	Overall Width		Overall Height		Surface Width		Surface Height		Net Surface Width		Net Surface Height		Standard Top	Maximum Total Top	Diagonal Inches	Shipment Sizes	Net Weight	Gross Weight
	A	E	F	G	H	I	P	cm	O	cm	kg	kg						
4:3	200	138	162	124	152	114	5	45	75	220x15x18	12	15						
	250	175	212	162	202	152	5	40	99	270x15x18	15	18						
	300	219	261	203	251	188	10	45	124	320x15x18	25	28						
	350	256	311	241	301	226	10	45	148	370x15x18	28	33						
16:9	200	109	162	95	152	85	5	45	69	220x15x18	11	12						
	250	137	212	123	202	113	5	45	91	270x15x18	14	17						
	300	171	261	156	251	141	10	45	113	320x15x18	23	26						
	350	200	311	184	301	169	10	45	136	370x15x18	26	31						
16:10	200	119	162	105	152	95	5	45	71	220x15x18	11	12						
	250	150	212	136	202	126	5	45	94	270x15x18	14	17						
	300	187	261	172	251	157	10	45	117	320x15x18	23	26						
	350	219	311	203	301	188	10	45	140	370x15x18	26	31						
21:9	200	88	162	75	152	65	5	45	65	220x15x18	10	11						
	250	110	212	96	202	86	5	45	86	270x15x18	13	16						
	300	137	261	122	251	107	10	45	107	320x15x18	22	25						
	350	158	311	143	301	128	10	45	129	370x15x18	25	30						