

Thunder-KMT21P

High-performing, 21" subwoofer



DATASHEET

Installed Sound Thunder-MT21P

DESCRIPTION

The Thunder-KMT21P is a high performance sub-bass system designed for use with small to medium wavefront system, in both touring and install applications.

It features a 1800 watt 21" drive unit with magnet structure and suspension engineered

for maximum linear excursion.

The ultra-light reflex cabinet is fitted with two pocket handles and one M20 thread mount position for attaching mid-high speakers. It features large area porting to reduce air noise.

The KMT21P is ideal for medium throw applications, like theaters, concert halls, AV installations.

All KMT21P components are designed by K-array R&D department and custom-made under K-array's quality control system.

COLORS & PREMIUM FINISHES AVAILABLE



Black



White



Custom

SUGGESTED ACCESSORIES

K-POLE1

K-WIRE2

K-WHEEL

K-WIRE15

K-WHEELB

FREQUENT APPLICATIONS

LARGE CONGREGATIONS

THEATERS & CONCERT HALLS

NIGHTCLUBS

EVENT PRODUCTIONS

BROADCAST & STUDIOS

THEME PARKS

TOURING, FESTIVALS, CONCERTS & LIVE

CINEMAS

FEATURES



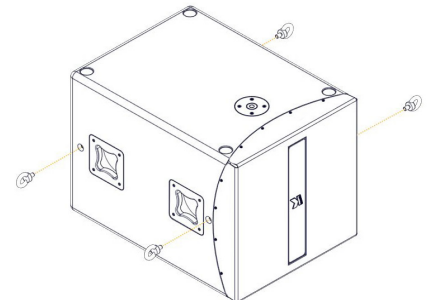
Weather Resistant



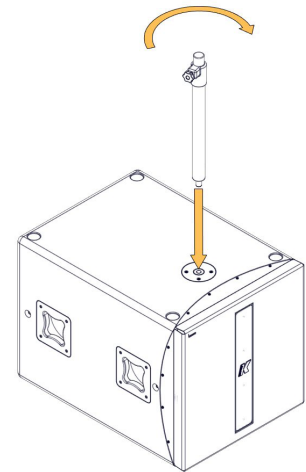
Lightweight

TECHNICAL SPECIFICATIONS

ACOUSTICS	
Power handling	1800W ^(AES)
Impedance	4 Ohm
Frequency range	30 Hz - 150 Hz ± 3dB (preset dependent)
Maximum SPL3	132 dB (cont) - 131dB (peak)
COVERAGE	
	Omni
CROSSOVER	
Type	External Crossover Required
Frequency	Low pass @ 150 Hz maximum
TRANSDUCERS	
Type	1 x 21" Neodymium speakers with 3" voice coil
AUDIO INPUT	
Connectors	2 x NL4 Speakon
Digital Connectors	1+ 1- (signal IN& LINK); 2+ 2-(through)
PHYSICAL OVERVIEW	
Dimensions	55.5 x 55.5 x 76.3 cm (21.85" x 21.85" x 30.03") ⁽¹⁾
Weight	44.5 Kg (98.10 lb)
<p>1. (W x H x D).</p> <p>New materials and design are introduced into existing products without previous notice. Present systems may differ in some respects from those presented in this catalogue.</p>	



Thunder-KMT21P I
suspending accessory



Thunder-KMT21P I+
K-POLE1

