



## Description

K-array's flagship series, Mugello consists of incredibly flat and lightweight solutions that boast impressive power, intelligible control and high quality performance.

Equipped with Slim Array Technology, the Mugello loudspeakers have a minimal footprint and their compact design allows for a better impulse response and K-array's Electronic Beam Steering technology gives the Mugello line ability to digitally direct the dispersion of the sound beams to ensure the same listening experience to all the audience.




Other important features include an onboard touch screen, various stacking and hanging positions, weather resistance and integrated DSP with multiple

analog and digital inputs. And with the K-dante accessory, the system can be used in Dante network.

The self-powered Mugello-KH5 is the largest speaker of the Mugello line and represents a revolutionary compact line array element for large-scale concerts and live events.

Comprised of two 15" neodymium woofers and four compression drivers with a 2.5" voice coil in a shallow box frame, the large-format speaker can deliver up to 140 dB SPL rendering a powerful audio solution for the live sound market.

All KH5 components are designed by K-array and custom-made under K-array's quality control system.

Colors		Features			Frequent Applications	
Black		Slim Array Technology (SAT)	Onboard Touch Screen		Concerts & Live Events	Theme Parks
White		Electronic Beam Steering (EBS)	Weather Resistant		Theaters & Auditoriums	Large Congregations
Custom		Dante Compatible	Remote Setup and Monitoring		Stadiums & Sport Venues	Nightclubs & Lounges

Accessories					
K-HCBASE	K-DANTE	K-HCDOLLY35	K-HCFLY	K-HCFLYST	K-HCLINK2/35

## Technical Specifications

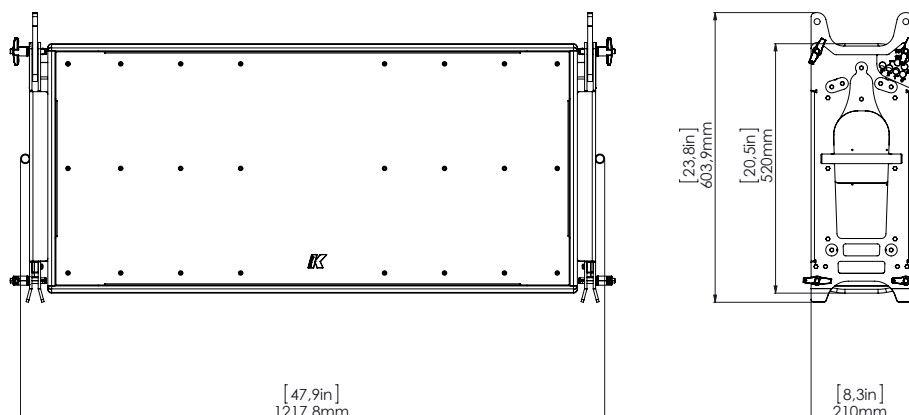
General	
Type	Line array element
Transducers	2x 15" neodymium magnet woofer with 2.5" voice coil 4x compression driver with 2.5" voice coil
Frequency Response	120 Hz – 19 kHz (-6 dB) <sup>1</sup>
Maximum SPL	140 dB (peak) <sup>3</sup>
Coverage	110° Horizontal; 7°–25° Vertical (preset dependant)

Internal Processing	
Input sample rate and resolution	Up to 96 kHz @ 24 bit with internal SRC and jitter correction
Built-in DSP	Input gain, delay up to 330 ms 8 full parametric IIR filters (Peaking, Shelving, Hi/Lo pass, Hi/Lo Butterworth) FIR filter for electronic beam steering Onboard preset Level and temperature remote monitoring

Internal Amplifier Module	
Type	4 ch., switch-mode class D
Peak Output Power	4x 1600 W @ 4 Ω 1% THD+N <sup>3</sup>
Operating Range	100-240V AC, 50-60 Hz with PFC
Power Consumption	600 W @ 8 Ω load, Pink noise 1/8 rated power
Protections	Over Temp. (Power Limiting – Thermal Shutdown), Short Circuit/Overload Output Protection, Power Limiting, Clip Limiter/Permanent Signal Limiter, High Frequency Protection
Mains Connector	powerCON with link inlet

Controls and Connectivity		
Controls	Remote control with dedicated PC software via USB or RS485 Onboard touch screen display	
Connectivity	Analog: 2x XLR (bal) input signal 2x XLR (bal) parallel output  Digital: 1x XLR AES3 input 1x XLR AES3 output	Remote connectivity: 1x XLR RS485 serial input 1x XLR RS485 serial output 1x USB-B inlet  MAINS: 1x powerCON 1x powerCON link

Handling	
Dimensions (WxHxD)	1218 x 604 x 210 mm (47.9 x 23.8 x 8.3 in) with rigging hardware 1104 x 520 x 200 mm (43.5 x 20.5 x 7.9 in) net dimensions
Weight	64 kg / 134.48 lb (with rigging hardware)
IP rating	20 (53 with K-AMPCOVER accessory)



Notes for data:

1. With dedicated presets.
2. Maximum SPL is calculated using a signal with crest factor 4 (12dB) measured at 8 m then scaled at 1 m
3. EIAJ sine wave 8/32 burst

New materials and designs are introduced into existing products without previous notice.  
Present systems may differ in some respects from those presented in this catalog.

