

ViewSonic  **VIEWBOARD**
IFP9850-3

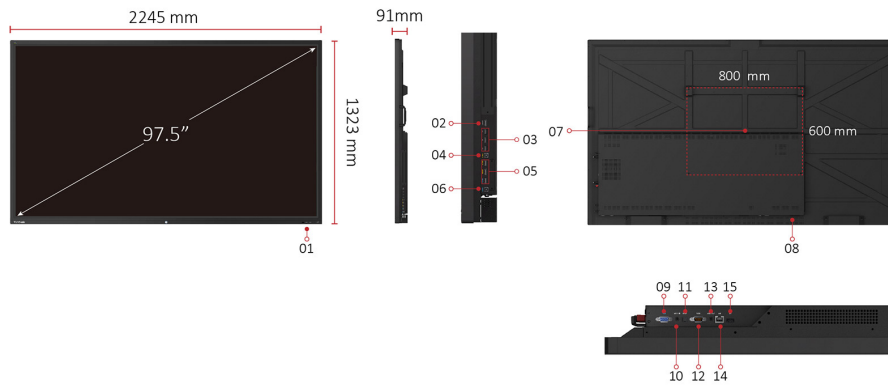
Key Features

- UFT (Ultra Fine Touch) Technology
- myViewBoard™ digital whiteboard software
- ViewBoard® Cast 4-way split screen content sharing software
- SmartPort™ shared front USB ports for internal & external PCs
- 2.0 Stereo sound



Product Description

The ViewBoard® IFP50 series embraces UFT (Ultra Fine Touch) Technology to offer more precise writing and faster processing time than traditional IR panels. Smooth, dual-pen writing with our new, slim 2.5mm pens enables groups of teachers and students to work efficiently on any detailed tasks that require the use of accurate, fine tipped pens. The ViewBoard® IFP50 series is designed with a slim bezel to broaden your viewing experience so that even at the edge you can write clearly and confidently. Integrated myViewBoard™ digital whiteboarding software allows users to collaborate on the go, while ViewBoard® Cast provides 4-way, split screen content sharing.



- | | | |
|--------------------------------|---------------|-------------|
| 1. USB 2.0 X 2 | 8. AC IN | 15. USB 2.0 |
| 2. HDMI OUT | 9. VGA | |
| 3. USB 3.0 X 3 | 10. AUDIO IN | |
| 4. USB Touch Port | 11. SPDIF Out | |
| 5. HDMI In X 3 | 12. RS232 | |
| 6. USB Touch Port | 13. AUDIO OUT | |
| 7. VESA® WALL Mount 800x600 mm | 14. LAN | |

Visit Us - www.viewsonic.com

DISPLAY

Panel Size:	98"
Type/Tech:	TFT LCD Module with DLED Backlight.
Display Area (mm):	2171.85(H) x 1232.35(V) (97.52"diagonal)
Aspect Ratio:	16:9
Native Resolution:	UHD 3840x2160(Pixels)
Colours:	1.07B colours (10bit)
Brightness:	350 nits (typ.)
Contrast Ratio:	1200:1 Typ. , 5000:1 Max.
Response Time:	6ms
Viewing Angles:	H = 178, V = 178 typ.
Backlight Life:	30,000 Hours (Min)
Surface Treatment:	Anti-Glare
Orientation:	Landscape

PLATFORM

Processor:	ARM Cortex A73*2(1.5GHz)+A53*2(1.2GHz)
RAM:	3GB DDR4
Storage:	16GB

TOUCH

Type/ Tech:	IR Recognition
Touch Resolution:	32767 x 32767
Touch Point:	20 points touch, 10 points writing

INPUT

HDMI:	2.0 x3 (3840x2160 @60Hz)
RGB / VGA:	x1
Audio:	x1 (PC audio in)
RS232:	x1
OPS:	x1 PC Slot

OUTPUT

HDMI:	x1
Audio:	x1 (Earphone out)
SPDIF:	1(optical)
RS232:	x1

LAN

RJ45:	x1
-------	----

USB

Type A:	USB 2.0 x3 USB 3.0 x3
Type B:	x2, for touch

SPEAKERS

SPEAKERS:	12Wx2
-----------	-------

CAMERA PLATE ON TOP FOR SCREW-IN WEBCAM**INSTALLATION**

Camera plate on top for screw-in webcam installation:	Yes
---	-----

COMPATIBILITY

HDMI:	3840x2160
-------	-----------

USB SUPPORTED FILE FORMAT

USB SUPPORTED FILE FORMAT:	Picture - BMP, JPEG, PNG,GIF
	Video - Codec: H.263, H.264, MJPEG, MPEG2, MPEG4, RV30/40, VP6, Xvid-ASP Container: 3GP, ASF, ASX, AVI, FLV, M4V, MKV, MOV, MP4, MPG, MPEG, RMVB, TS H.265
	Audio - Codec: AAC, ALAC, FLAC, MPEG 3, Vorbis, WAV, WMA Container: AAC, APC, FLAC, M4A, MP3, OGG, WAV, WMA

BUNDLE SOFTWARE

Basic Annotation Software:	myViewBoard for android
Pro Annotation Software:	myViewBoard for windows (Embedded in Windows Slot-in PC)
Wireless Presentation with Touch Feedback: Viewboard Cast:	ViewBoard Cast

SPECIAL FEATURES

All-in-one USB port (combine Windows/Android USB port; no need to distinguish them anymore):	Front "SmartPort USB" to all channels.
Simple LAN sharing between IFP and slot-in device:	Yes

POWER

Voltage:	100-240VAC +/- 10% Wide Range
Consumption:	171 (Typ.) < 0.5 W ("Off")

ERGONOMICS

Wall Mount (VESA®):	800 x 600
----------------------	-----------

OPERATING CONDITIONS

Temperature (° C):	0°C to 40°C
Humidity:	10% ~ 90% RH non-condensing

DIMENSIONS (W X H X D)

Physical (inch / mm):	88.4 x 52.1 x 3.6 in / 2245 x 1323 x 91 mm
Packaging (inch / mm):	97.8 x 58.8 x 14.8 in / 2483 x 1493 x 376 mm

WEIGHT

Net (lb / kg):	223.77 lb / 101.5 kg
Gross (lb / kg):	306 lb / 138.8 kg

REGULATIONS

REGULATIONS:	FCC, cTUVus
--------------	-------------

ENERGY STAR VERSION

Energy Star version:	ES8.0
----------------------	-------

EELI RATING

EELI rating:	A++
--------------	-----

PACKAGE CONTENTS

PACKAGE CONTENTS:	1. Power cable(3 meters) x 4 2. Remote control 3. USB cable(3 meters) 4. Touching pen x 2 5. Quick Start Guide 6. RS232 adapter 7. Clamp x 5 8. Plate 9. Screw x 8 10. HDMI cable
-------------------	--

COMPATIBLE SLOT-IN PC

Compatible Slot-in PC:	VPC14-WP series VPC10-WP series VPC15-WP series VPC16-WP series VPC17-WP series
------------------------	---