

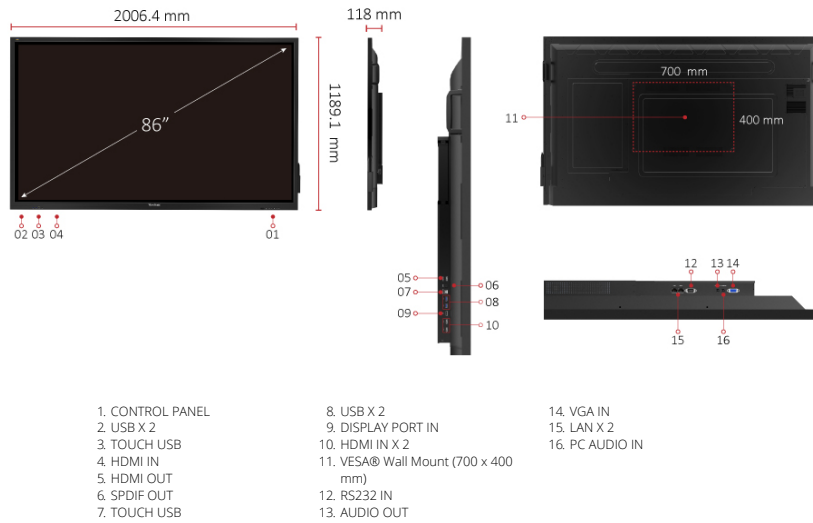
Key Features

- UFT (Ultra Fine Touch) Technology
- myViewBoard® digital whiteboard software
- Dual-pen writing with 3mm/8mm diameter pen tips
- Ambient Light Sensor
- Wireless presentation across devices



Product Description

The ViewBoard® IFP30 series embraces ultra fine touch technology to offer fine precision writing. It increases the writing accuracy with 2mm height sensitivity while allowing for dual-pen writing with both 3mm & 8mm diameter pens. It's also very responsive to distinguish the touch diameters among pens, fingers and palms to avoid false strokes. In addition, the IFP30 series is integrated with myViewBoard® whiteboarding software to provide more accommodative features such as to collaboration on the go; and it's further complimented by native casting including Miracast, Airplay, and Chromecast; as well as the front I/O ports including HDMI, Touch USB, and USB for easy access. Interactive whiteboards are becoming commonplace. The IFP30 series is the solution for schools and workplaces of all sizes and considerations.



Visit Us  www.viewsonic.com

DISPLAY

Panel Size:	86"
Type/Tech:	TFT LCD module with DLED backlight
Display Area (mm):	1895.04*1065.94mm
Aspect Ratio:	16:9
Native Resolution:	4K60hz
Colors:	10 bits
Brightness:	400(Typ.)
Contrast Ratio:	1200:1
Response Time:	8ms(Tyoe)
Viewing Angles:	H = 178, V = 178 typ.
Backlight Life:	30,000hr(min)
Surface Treatment:	Hardness: 7H, Costing: AG coating
Bezel:	Slim
Orientation:	Landscape

PLATFORM

Processor:	Cortex-A73*2 + Cortex-A53*2 1.5Hz
RAM:	3GB DDR4
Storage:	16GB

TOUCH

Type/ Tech:	IR Recognition
Touch Resolution:	32767W*32767D
Touch Point:	20 points , 5 writing

INPUT

HDMI:	Front*1, Rear* 2, All ports HDMI2.0
RGB / VGA:	1
DisplayPort:	DP1.2*1
Audio:	PC audio in (3.5 mm)*1
RS232:	x1
OPS:	1

OUTPUT

HDMI:	x1, up to 4K60hz
Audio:	3.5mm Earphone Out *1, SPDIF*1
SPDIF:	1(optical)

LAN

RJ45:	*2, 10M/100M
-------	--------------

USB

Type A:	USB2.0 *4 (Front:*2 Rear: *2), USB3.0:N/A
Type B:	For touch (Front*1, rear*1))

SPEAKERS

SPEAKERS:	15WX2
-----------	-------

TOP CAMERA PLATE

yes	
-----	--

COMPATIBILITY

RGB PC/HDMI PC:	VGA: 1080p, HDMI: 4K
HDMI:	3840x2160
DisplayPort:	3840x2160

EMBEDDED OS

Embedded OS:	Android 8.0
--------------	-------------

BUNDLE SOFTWARE

Basic Annotation Software:	myViewBoard for Android
Pro Annotation Software:	myViewBoard for Windows (embedded in VPC12)
Wireless Presentation with Touch Feedback: Viewboard Cast:	Yes
ViewSonic Launcher:	Embedded

SPECIAL FEATURES

All-in-one USB port (combine Windows/Android USB port; no need to distinguish them anymore):	Front "SmartPort USB" to all channels.
Simple LAN sharing between IFP and slot-in device:	10M/100M share to OPS

POWER

Voltage:	PB model: , 100-240VAC +/- 10% Wide Range
----------	---

ERGONOMICS

Wall Mount (VESA®):	400*700
----------------------	---------

OPERATING CONDITIONS

Temperature (° C):	0°C to 40°C
Humidity:	20% ~ 80% RH Non-Condensing(working)

DIMENSIONS (W X H X D)

Physical (inch / mm):	2006.4*1189.1*118(mm), 79*46.8*4.7(inch)
Packaging (inch / mm):	2140*1340*280(mm), 84.3*52.8*11(inch)

WEIGHT

Net (lb / kg):	176lb / 79.8kg
Gross (lb / kg):	219.4lb / 99.5kg

REGULATIONS

REGULATIONS:	EMC/CE-EU, CB-EU/IEC62368, RoHS Green BOM & RoSH DoC, REACH, WEEE (Doc & Disassebly report), ErP, EAC(local apply), UKrSEPRO(local apply), , RCM
--------------	--

PROAV CERTIFICATE READINESS

Crestron:	On-going
Extron:	On-going
AMX:	Self-certificate

PACKAGE CONTENTS

PACKAGE CONTENTS:	<ol style="list-style-type: none"> 1. US/EU/UK/AU power cord 3M, no PE bag 2. QSG 3. Compliance statement 4. HDMI cable 3M*1 5. Touch USB cable 3M *1 6. Touch PEN *2. Extra tip: Thick*2, thin*1 7. Remote control with AAA batteries (VS version) 8. Webcam plate with screws pack <ol style="list-style-type: none"> a. Need to compatible with Logi CC4000e b. Add screw holes on top of the frame 9. Pen tray*1 (two pen, detachable, mount for both side) 10. Wall mount screws
-------------------	--

COMPATIBLE SLOT-IN PC

Compatible Slot-in PC:	VPC12 series
------------------------	--------------