

**ViewSonic**  **VIEWBOARD**  
**IFP7530**

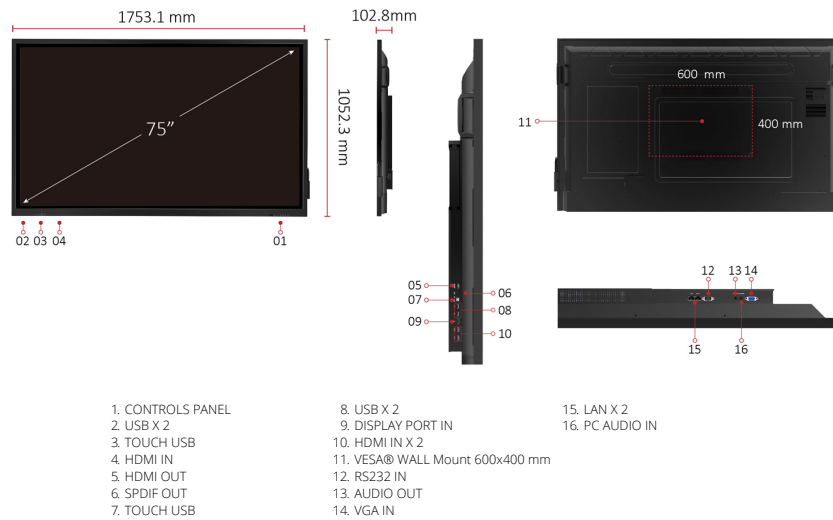
**Key Features**


- UFT (Ultra Fine Touch) Technology
- myViewBoard™ digital whiteboard software
- Dual-pen writing with 3mm/8mm diameter pen tips
- Ambient Light Sensor
- ENERGY STAR® certified



**Product Description**

The ViewBoard® IFP30 series embraces UFT (Ultra Fine Touch) Technology to offer more precise writing and faster processing time than traditional IR panels. 2mm height sensitivity increases writing accuracy while allowing for dual-pen annotation with both 3mm & 8mm diameter pens. It's also incredibly responsive, distinguishing the different touch diameters among pens, fingers and palms to avoid false strokes. In addition, the IFP30 series is integrated with myViewBoard™ digital whiteboard software to provide collaboration on the go, and is further complimented by native casting including Miracast, Airplay, and Chromecast. Interactive whiteboards are becoming commonplace. The IFP30 series is the solution for schools and workplaces of all sizes and considerations.



Visit Us  [www.viewsonic.com](http://www.viewsonic.com)

**DISPLAY**

Panel Size:	75"
Type/Tech:	IPS/V-by-one
Display Area (mm):	1647.36*926.64mm
Aspect Ratio:	16:9
Native Resolution:	4K60hz
Colours:	10 bits
Brightness:	450(Typ.) 400(min.)
Contrast Ratio:	1200:1
Response Time:	8ms(Type)
Viewing Angles:	H = 178, V = 178 typ.
Backlight Life:	30,000hr(min)
Surface Treatment:	Hardness: 7H Coating: AG coating Thickness: 4mm
Bezel:	29/29/29/49.7mm(btm.)
Orientation:	Landscape

**PLATFORM**

Processor:	ARM Cortex-A73*2 + Cortex-A53*2 1.5Hz
RAM:	3GB DDR4
Storage:	16GB

**TOUCH**

Type/ Tech:	IR Recognition
Touch Resolution:	32767W*32767D
Touch Point:	20 points 10 writing

**INPUT**

HDMI:	Front*1 Rear* 2 All ports HDMI2.0
RGB / VGA:	1
DisplayPort:	DP1.2*1
Audio:	PC audio in (3.5 mm)*1
RS232:	x1
OPS:	1

**OUTPUT**

HDMI:	*1
Audio:	3.5mm Earphone Out *1, SPDIF*1
SPDIF:	x1

**LAN**

RJ45:	*2 10M/100
-------	---------------

**USB**

Type A:	USB2.0 *4 (Front:*2 Rear: *2 )
Type B:	For touch (Front*1, rear*1))

**SPEAKERS**

SPEAKERS:	15WX2
-----------	-------

**CAMERA PLATE ON TOP FOR SCREW-IN WEBCAM****INSTALLATION**

Camera plate on top for screw-in webcam installation:	yes
---	-----

**COMPATIBILITY**

RGB PC/HDMI PC:	VGA: 1080p HDMI: 4K
HDMI:	3840x2160
DisplayPort:	3840x2160

**EMBEDDED OS**

Embedded OS:	OS 8.0 to Android 8.0
--------------	-----------------------

**POWER**

Voltage:	PB model: 100-240VAC +/- 10% Wide Range
Consumption:	On: 115W(Typ.) Off: <0.5W

**ERGONOMICS**

Wall Mount (VESA®):	600 x 400
---------------------	-----------

**OPERATING CONDITIONS**

Temperature (° C):	0°C to 40°C
Humidity:	20% ~ 80% RH Non-Condensing(working)

**DIMENSIONS (W X H X D)**

Physical (inch / mm):	1753.1*1052.3*102.8(mm) 69.02*41.43*4.05(inch)
Packaging (inch / mm):	1880*1160*280(mm) 74*45*11(inch)

**WEIGHT**

Net (lb / kg):	135lb, 61.25kg
Gross (lb / kg):	173.8lb, 78.85kg

**REGULATIONS**

REGULATIONS:	EMC/CE-EU, CB-EU/IEC62368, RoHS Green BOM & RoSH DoC, REACH, WEEE (Doc & Disassembly report), ErP, EAC(local apply), UKrSEPRO(local apply), , BIS-India
--------------	---

**ENERGY STAR VERSION**

Energy Star version:	YES
----------------------	-----

**EELI RATING**

EELI rating:	A+
--------------	----

**PACKAGE CONTENTS**

PACKAGE CONTENTS:	<ol style="list-style-type: none"> <li>1. US/EU/UK/AU power cord 3M, no PE bag</li> <li>2. QSG</li> <li>3. Compliance statement</li> <li>4. HDMI cable 3M*1</li> <li>5. Touch USB cable 3M *1</li> <li>6. Touch PEN *2. Extra tip: Thick*2, thin*1</li> <li>7. Remote control with AAA batteries (VS version)</li> <li>8. Webcam plate with screws pack <ol style="list-style-type: none"> <li>a. Need to compatible with Logi CC4000e)</li> <li>b. Add screw holes on top of the frame</li> </ol> </li> <li>9. Pen tray*1 (two pen, detachable, mount for both side)</li> <li>10. Wall mount screws</li> </ol>
-------------------	---

**COMPATIBLE SLOT-IN PC**

Compatible Slot-in PC:	VPC12 series
------------------------	--------------