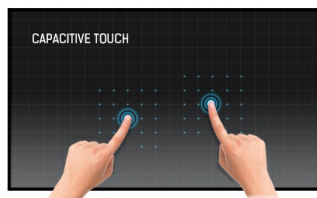




### 22" 10 point multi-touch monitor with Edge to Edge glass

With 1920x1080 Full HD resolution and Projective Capacitive 10 point touch technology, the ProLite T2235MSC delivers seamless and accurate touch response. Featuring VA LED-backlit LCD screen technology, it offers exceptional colour performance and wide viewing angles, making it an excellent choice for a vast array of demanding interactive applications. Users can benefit from its hinged stand allowing the monitor to lay down completely flat for use as a giant tablet. The T2235MSC comes equipped with several video inputs and stereo speakers delivering good quality sound. An ideal screen for Interactive Digital Signage, InStore Retail, Gaming and Interactive Presentations purposes.



#### Touch technology - Capacitive

This technology uses a sensor-grid of micro-fine wires integrated into the glass that covers the screen. Touch is detected because electrical characteristics of the sensor grid change when human finger is placed on the glass. Thanks to the glass overlay this technology is highly durable, and the touch function remains unaffected even if the glass is scratched. It offers perfect picture performance and will work with human finger (also latex gloved) and stylus-pen.



#### VA matrix

VA panel technology offers higher contrast, darker blacks and much better viewing angles than standard TN technology. The screen will look good no matter what angle you look at it.

## 01 DISPLAY CHARACTERISTICS

Design	Edge to edge glass
Diagonal	21.5", 54.7cm
Panel	VA LED
Native resolution	1920 x 1080 (2.1 megapixel Full HD)
Aspect ratio	16:9
Panel brightness	250 cd/m <sup>2</sup>
Brightness	225 cd/m <sup>2</sup> with touch
Light transmittance	90%
Static contrast	3 000:1 with touch
Advanced contrast	12M:1
Response time (GTG)	6ms
Viewing zone	horizontal/vertical: 176°/176°, right/left: 88°/88°, up/down: 88°/88°
Colour support	16.7mln
Horizontal Sync	30 - 80kHz
Viewable area W x H	476.1 x 267.8mm, 18.7 x 10.5"
Pixel pitch	0.248mm
Bezel colour and finish	black, matte

## 02 TOUCH

Touch technology	projective capacitive
Touch points	10 (HID, only with supported OS)
Touch method	stylus, finger, glove (latex)
Touch interface	USB
Supported operating systems	All iiyama monitors are Plug & Play and compatible with Windows and Linux. For details regarding the supported OS for the touch models, please refer to the driver instruction file available in the downloads section.

## 03 INTERFACES / CONNECTORS / CONTROLS

Analog signal input	VGA x1
Digital signal input	DVI x1 DisplayPort x1
Audio output	Speakers 2 x 2W

## 04 FEATURES

OSD key lock	yes
--------------	-----

## 05 GENERAL

OSD languages	EN, DE, FR, IT, CN, RU, JP, CZ, NL, PL
Control buttons	Menu, Scroll up/ Audio Adjust, Scroll down/ i-Style Colour, Select/ Input select, Power
User controls	auto image adjust, picture adjust (contrast, brightness, ACR, ECO, OD), input select, auto adjust (volume, mute, audio input), colour adjust, information, manual image adjust (H./V. position, clock, phase, sharpness, video mode adjust, blue light reducer, X-Res Technology), setup menu (language select, OSD position, OSD time out, OSD background, opening logo, LED), memory recall
Convenience	Kensington-lock™ prepared

Blue light reducer

yes

Plug&Play

DDC2B

## 06 MECHANICAL

Tilt angle

15° up; 70° down

VESA mounting

100 x 100mm

## 07 ACCESSORIES INCLUDED

Cables

power, DVI, USB, Audio

Guides

quick start guide, safety guide

## 08 POWER MANAGEMENT

Power supply unit

internal

Power supply

AC 100 - 240V, 50/60Hz

Power usage

21W typical, 0.5W stand by, 0.5W off mode

## 09 SUSTAINABILITY

Regulations

CE, TÜV-Bauart, VCCI-B, RoHS support, ErP, WEEE, CU, REACH

Energy efficiency class (Regulation (EU) 2017/1369)

F

REACH SVHC

above 0.1%: Lead

## 10 DIMENSIONS / WEIGHT

Product dimensions W x H x D

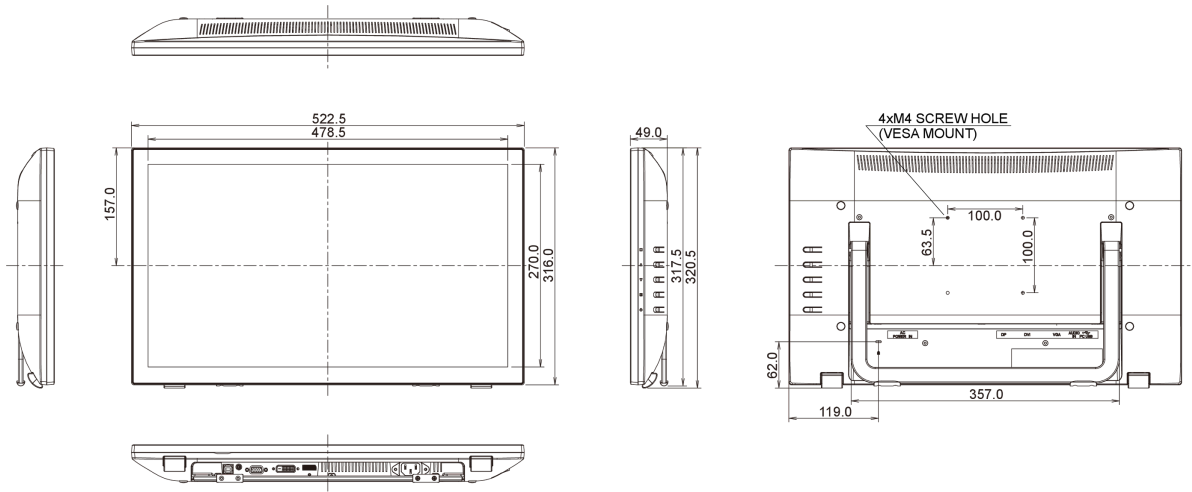
522.5 x 320.5 x 49mm

Weight (without box)

5kg

EAN code

4948570114320



All trademarks and registered trademarks acknowledged. E & O E. Specification subject to change without notice. All LCD's comply with ISO-9241-307:2008 in connection with pixel defects.

© IIYAMA CORPORATION. ALL RIGHTS RESERVED