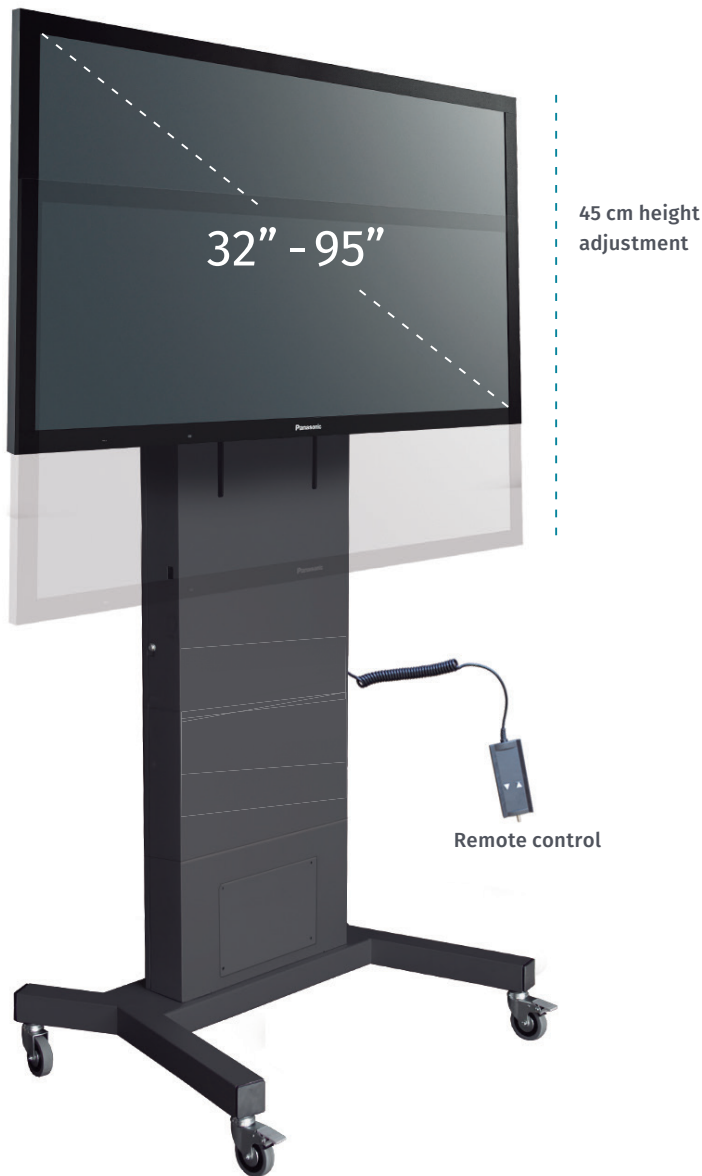


MOVMIFFMOTST



Motorized mobile floor stand cart

SPECIFICATIONS

Portable and easy to move between rooms

Ideal solution where a LCD/Plasma display cannot be fixed on a wall

Accommodates displays from 32 to 95 inches

Electronic height adjustment

Max. movement: 450 mm

Remote control with built in security switch for avoiding accidents

Display lock

Simple installation

Easy operation (even for wheelchair users)

Max. display weight: 160 kg

Wheel system with brakes

CE & UL certified



32 - 95"



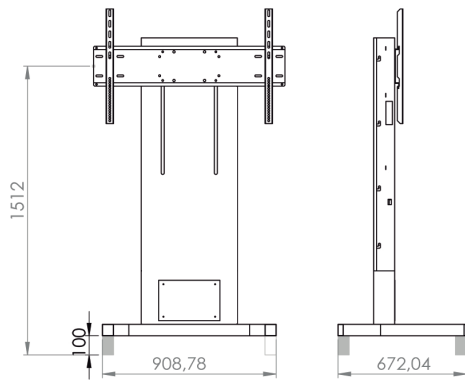
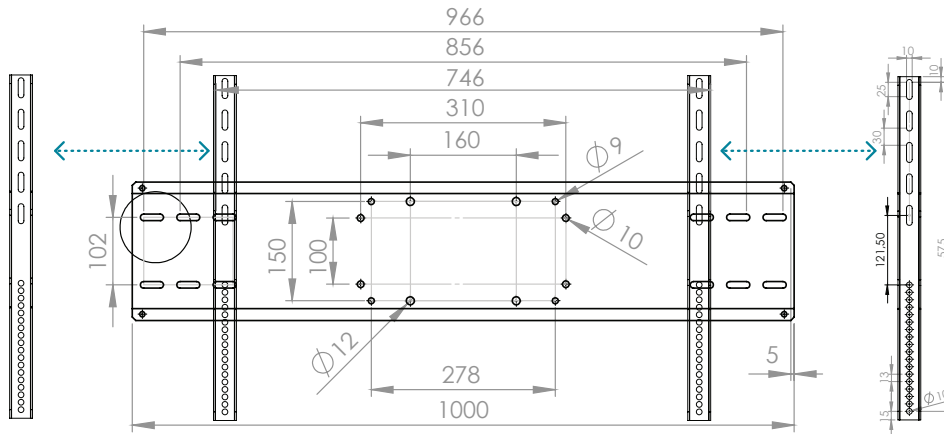
2 mts



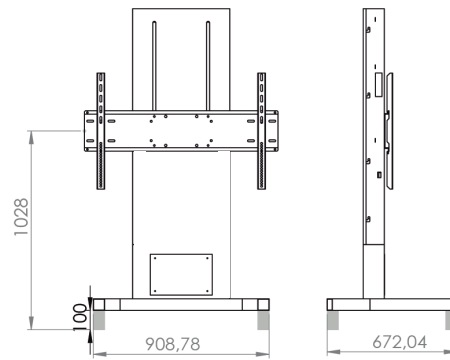
160 kgs



Motor.



Top position



Bottom position