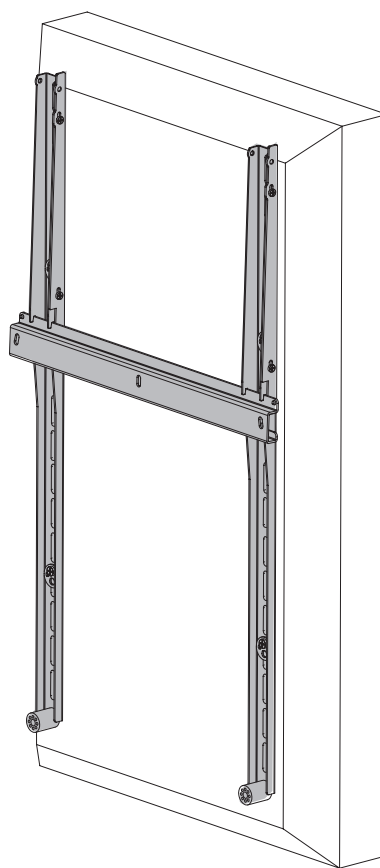
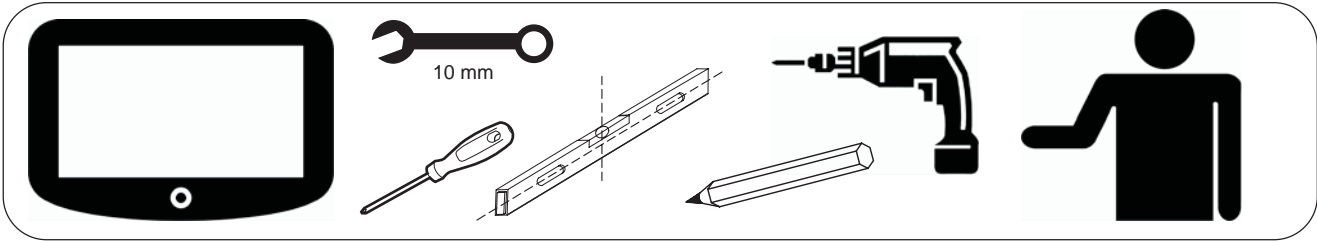


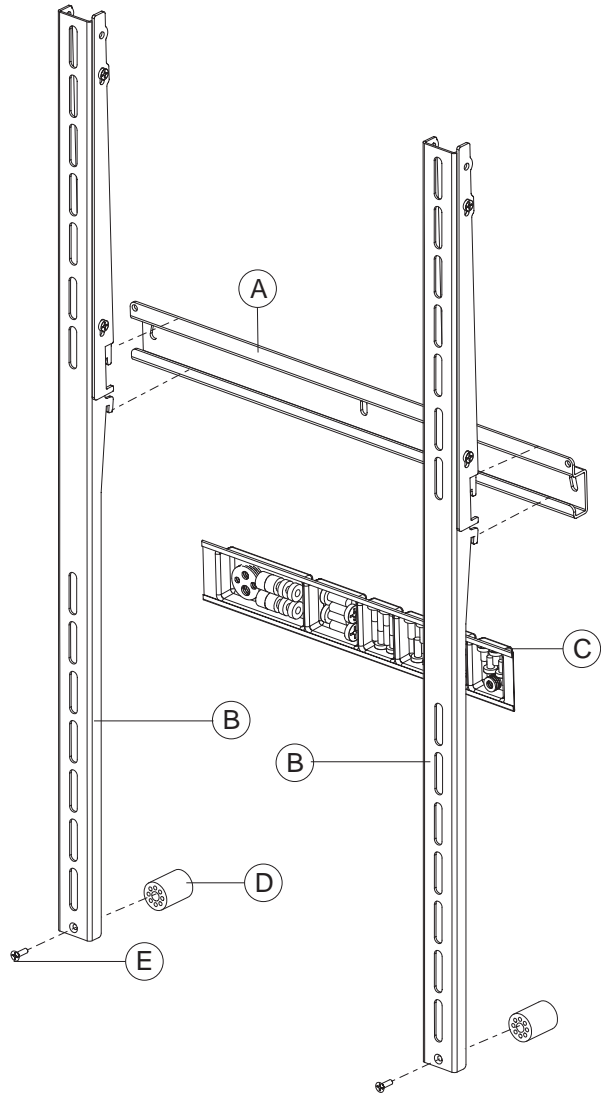
# MANUAL

- GB – Instructions for Mounting**
- DE – Montageinformation**
- IT – Istruzioni per il montaggio**
- ES – Instrucciones para el montaje**
- FI – Asennusohjeet**
- FR – Instructions de montage**
- NL – Montagevoorschriften**
- PL – Instrukcja montażu**
- RUS – Инструкция по монтажу**
- ARB – عربي - طريقة التركيب**
- SE – Monteringsinstruktion**
- GR – Πληροφορίες συναρμολόγησης**

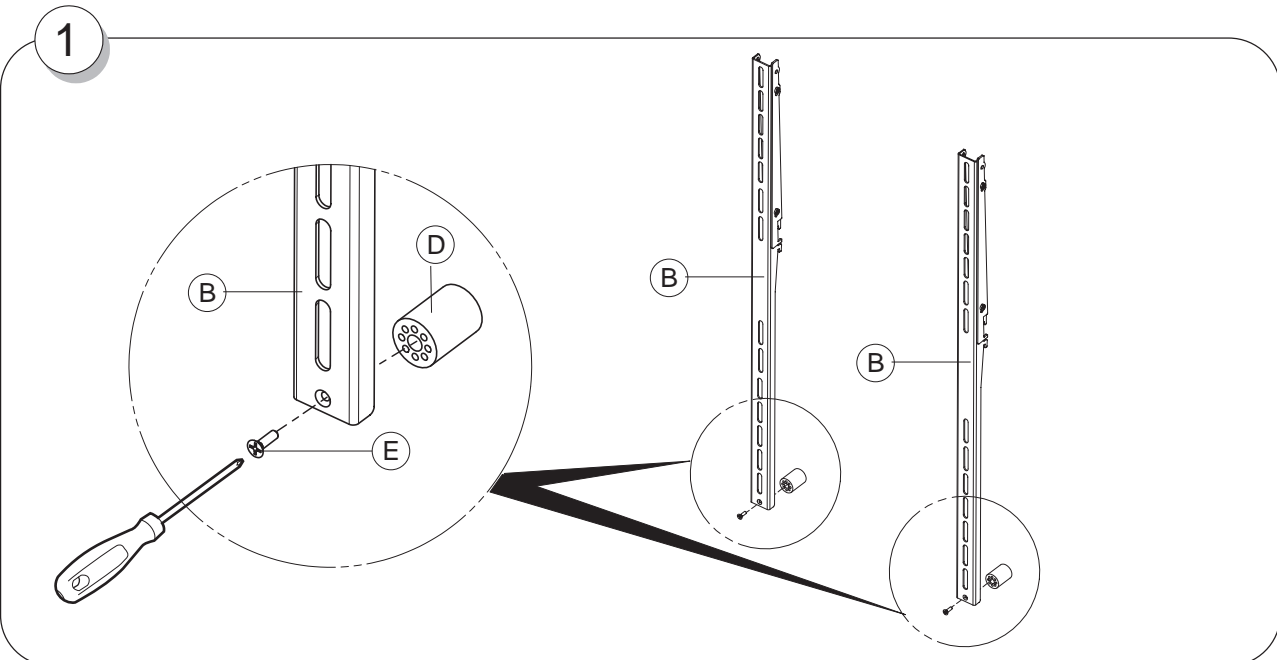


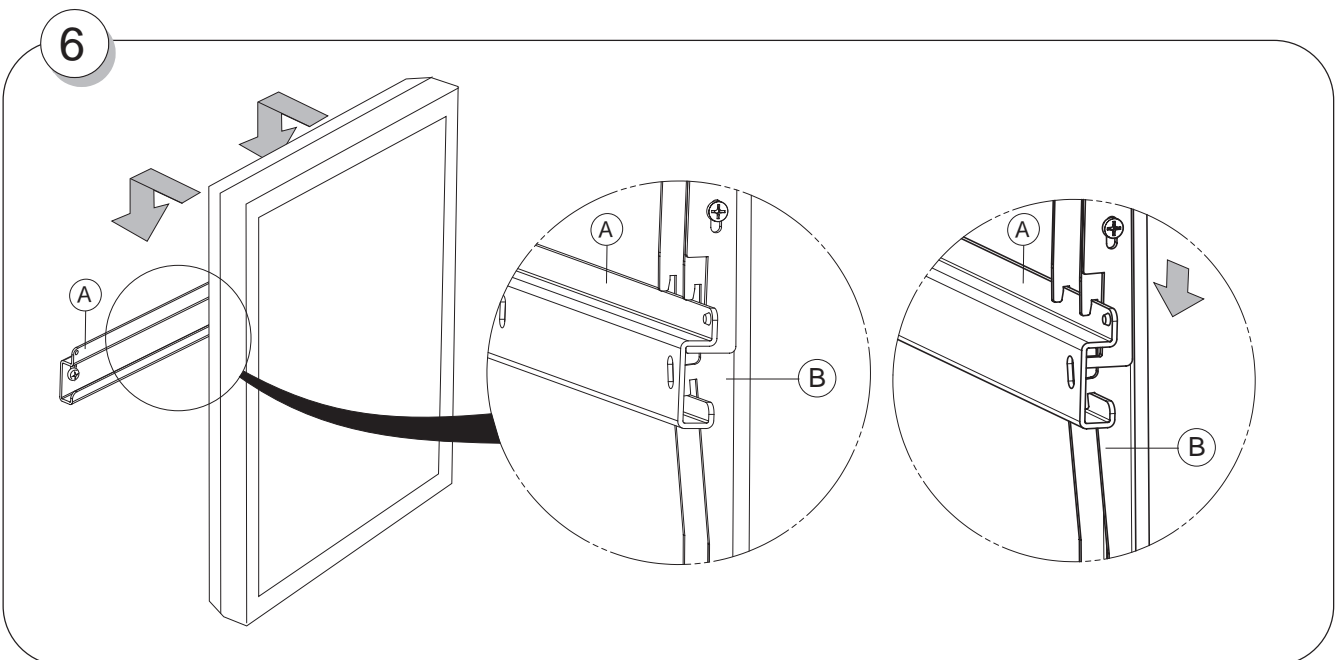
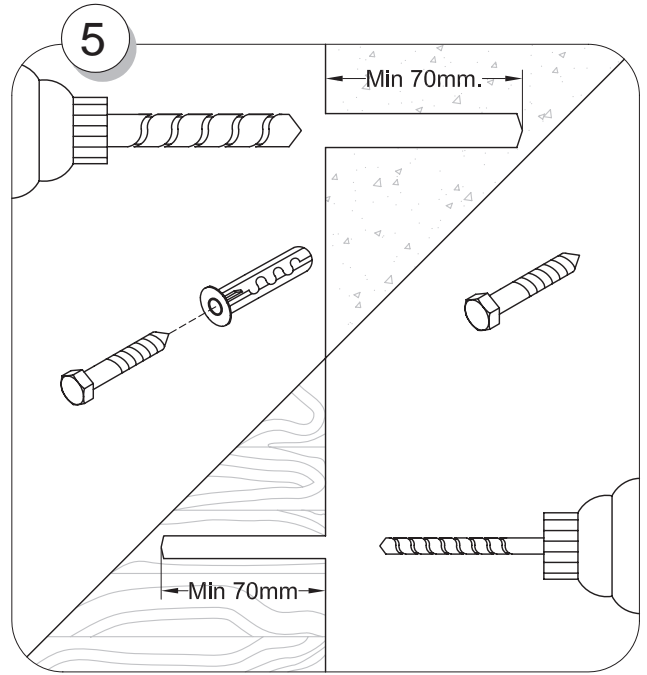
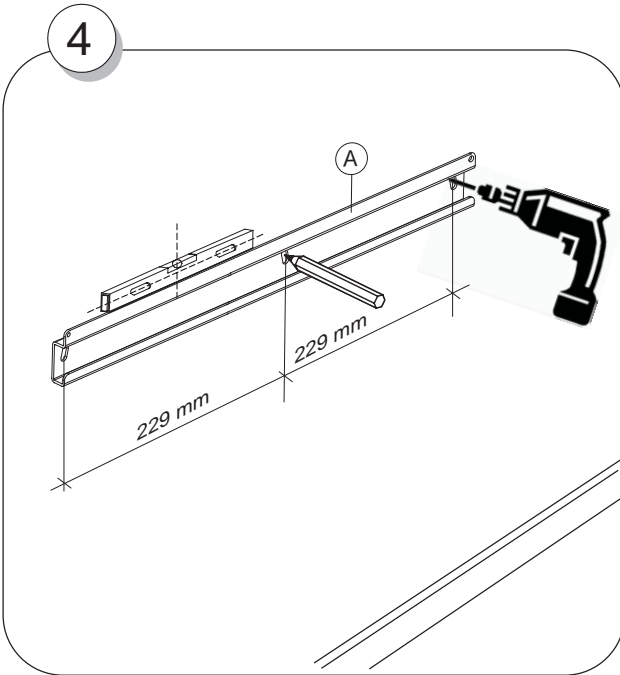
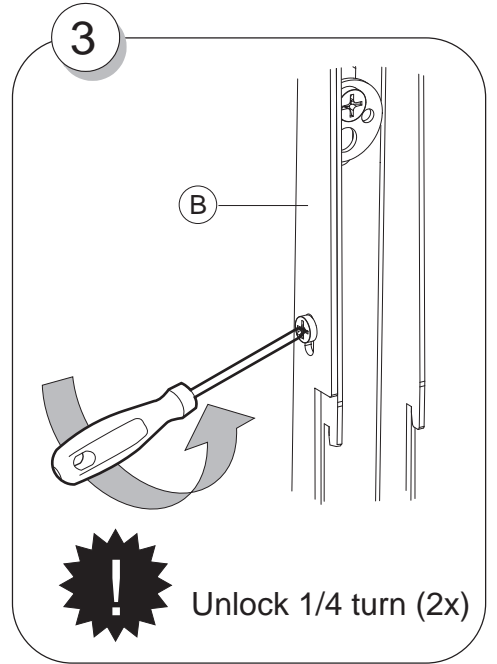
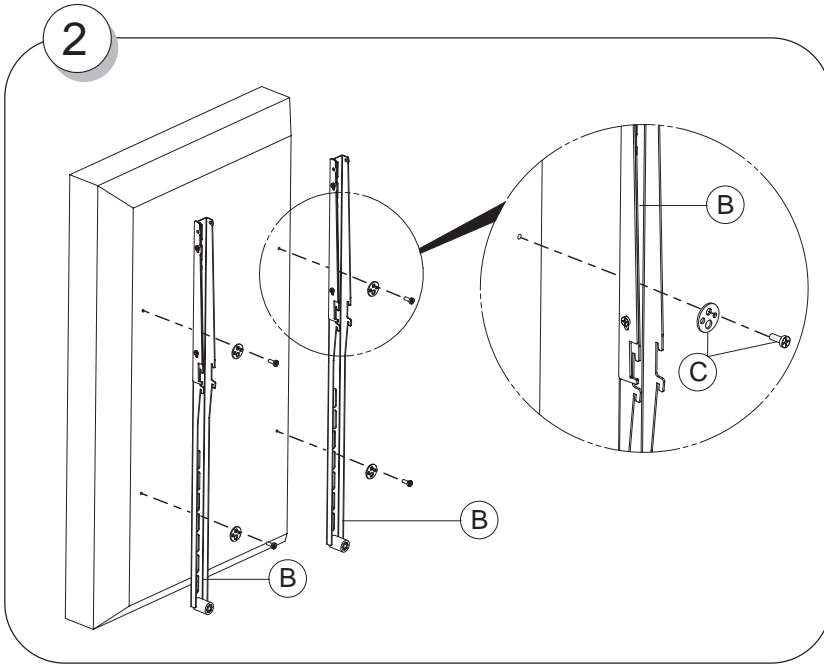


A	Wall Plate	1
B	Vertical Bar	2
C	Screw Bag	1
D	Spacer D25/d8,2x33	2
E	Screw ST4,2x16	2



C	Screw Bag	1
	Screw M4x16	4
	Screw M6x16	4
	Screw M6x30	4
	Screw M8x20	4
	Spacer plastic d8,2/D15x10	4
	Spacer plastic d6,1/D15x5	4
	Washer 6,4	4
	Multiple washer	4
	Screw M6x10	4
	Allen Key 4	2





7

