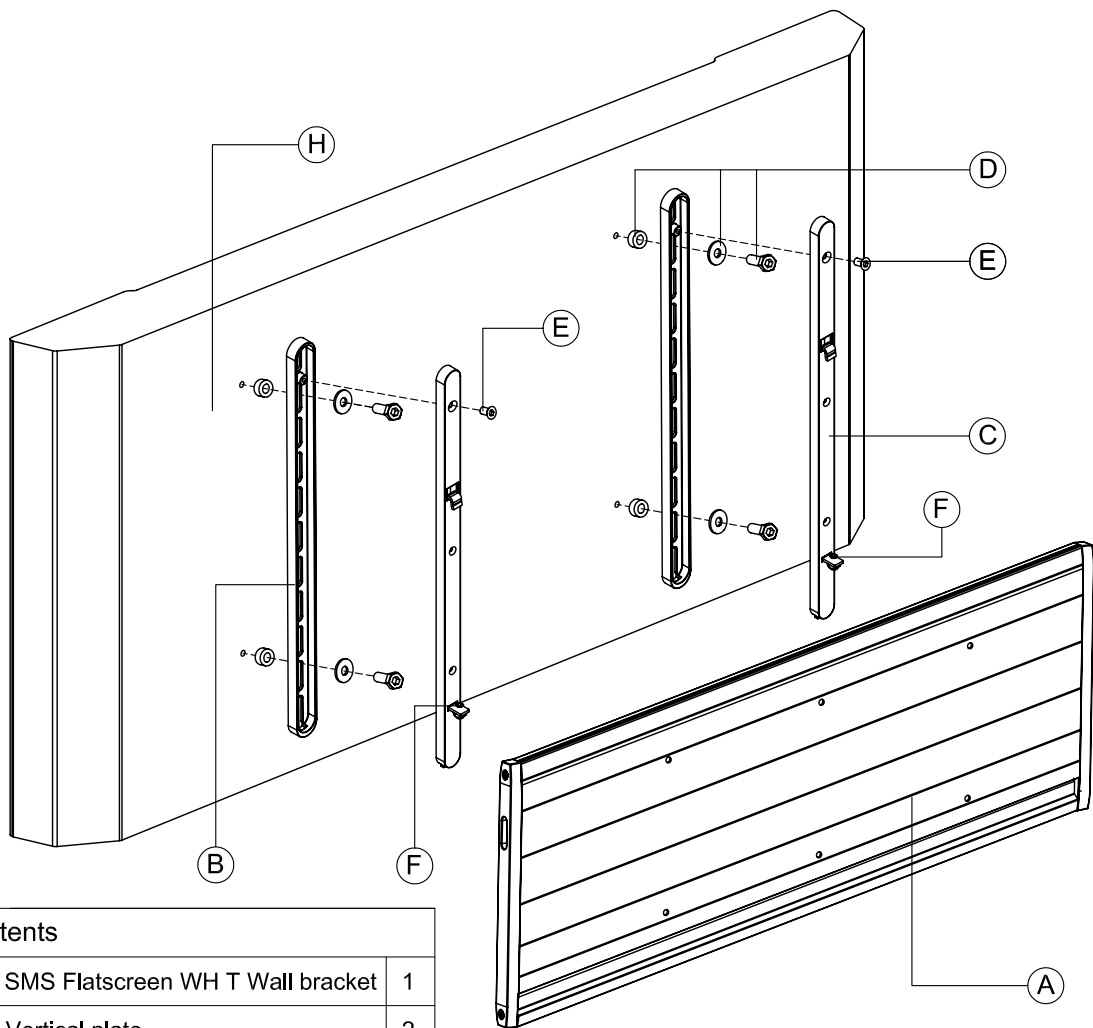


SMS FLATSCREEN WH T



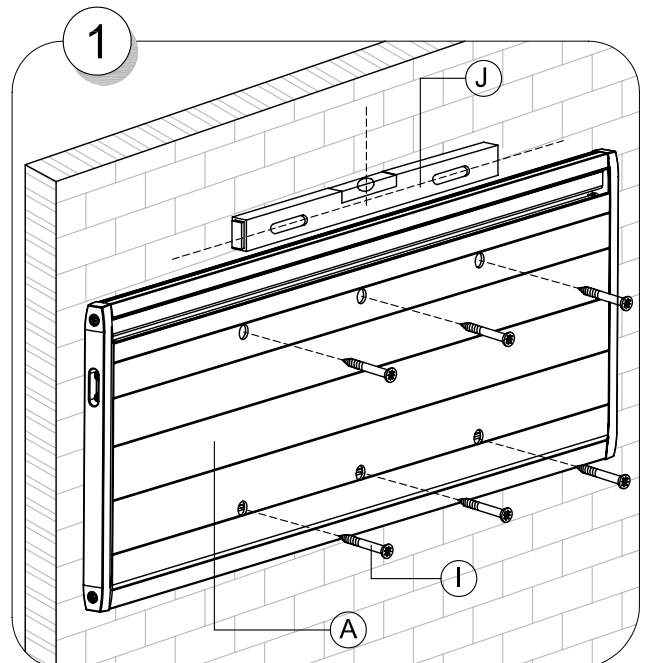
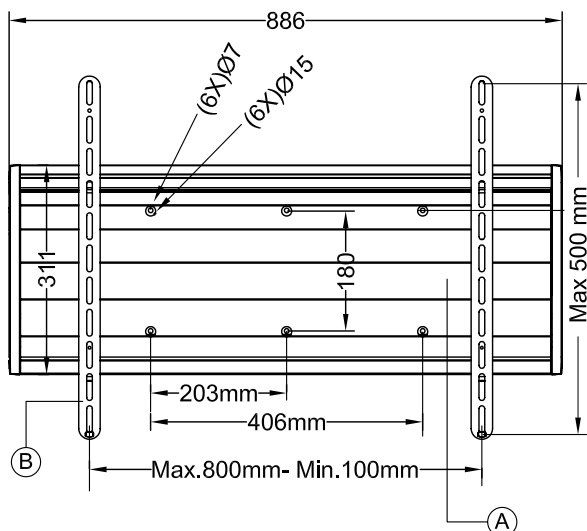


Contents

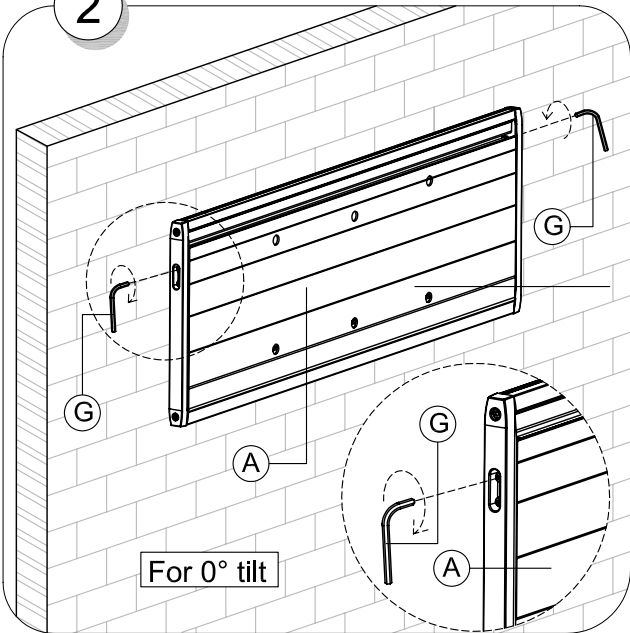
| | | |
|----|-------------------------------------|---|
| A. | SMS Flatscreen WH T Wall bracket | 1 |
| B. | Vertical plate | 2 |
| C. | Vertical plate cover including hook | 2 |
| D. | Screws+Dist.washers Kit | 1 |
| E. | Screws M6x10 | 2 |
| F. | Spring Screw | 2 |
| G. | Allen Key | 4 |

| | |
|----|--------------------------------------|
| H. | Screen (Not included) |
| I. | Wall Screws+Washers (Not included) |
| J. | Carpenters Level (Not included) |
| K. | Screw Driver (Not included) |

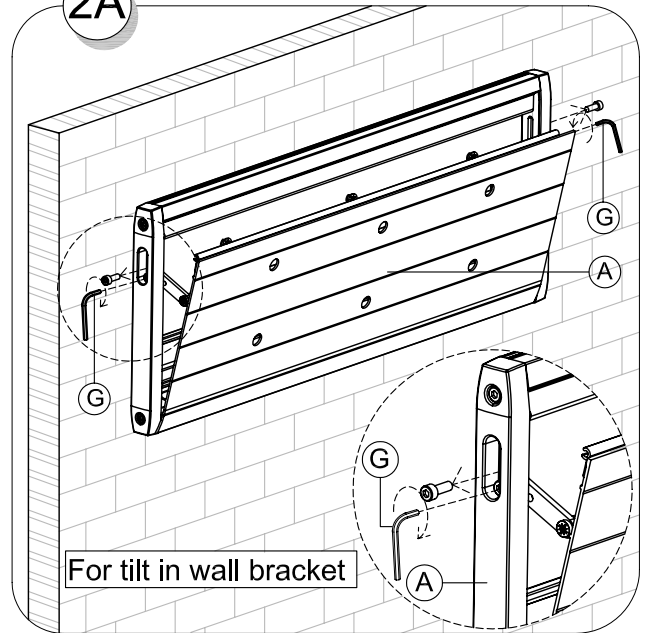
Holes Pattern for SMS Flatscreen WH T



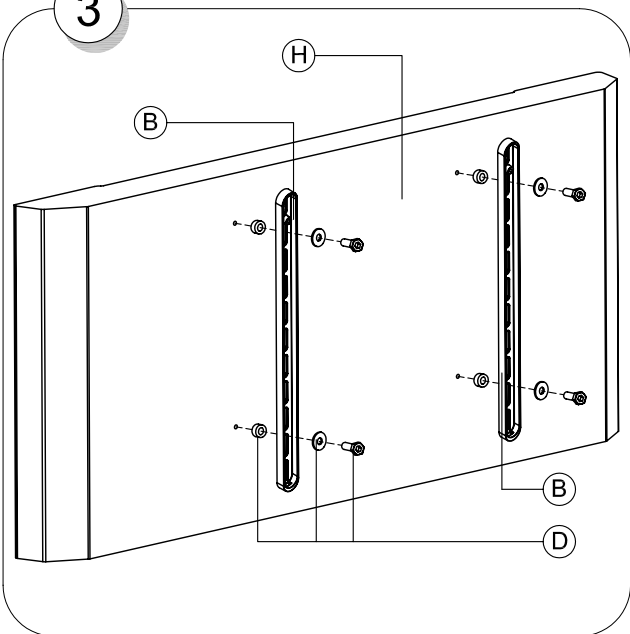
2



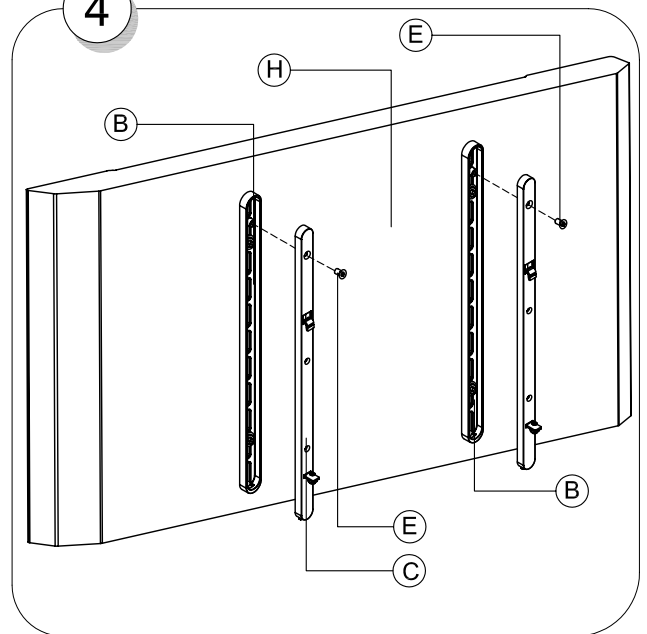
2A



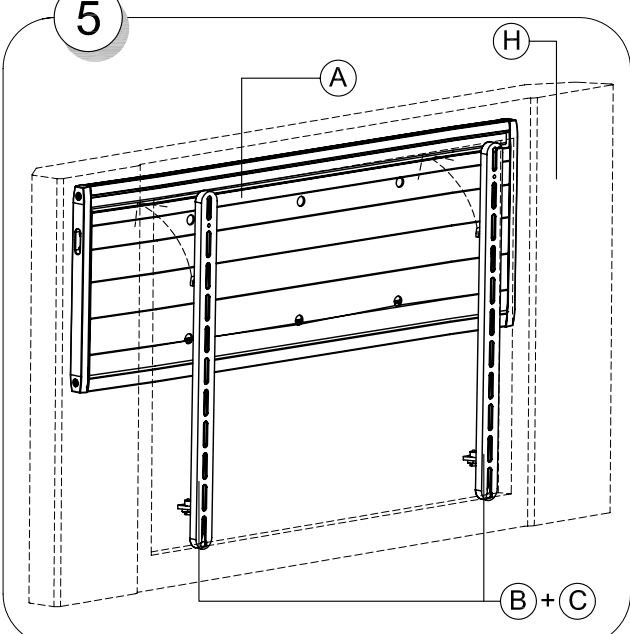
3



4



5



6

