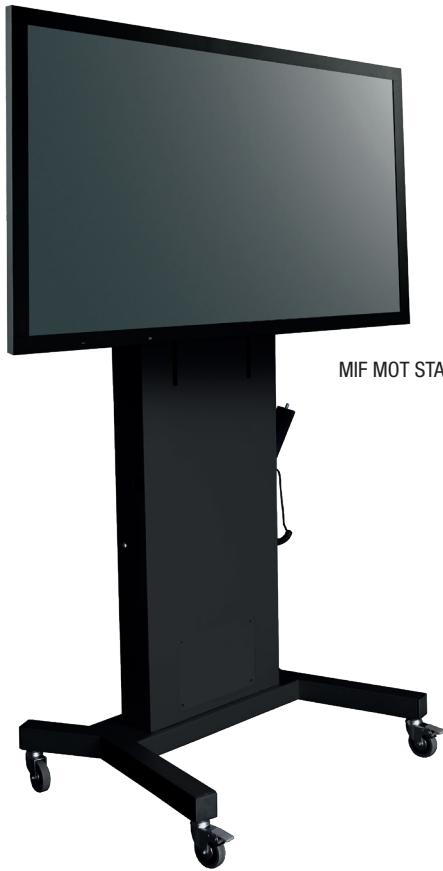


# UNIVERSAL SUPPORTS FOR INTERACTIVE FLAT PANELS

**Manual, motorized, wall mounted or mobile cart**



MIF MOT STANDARD



MIMI TABLE



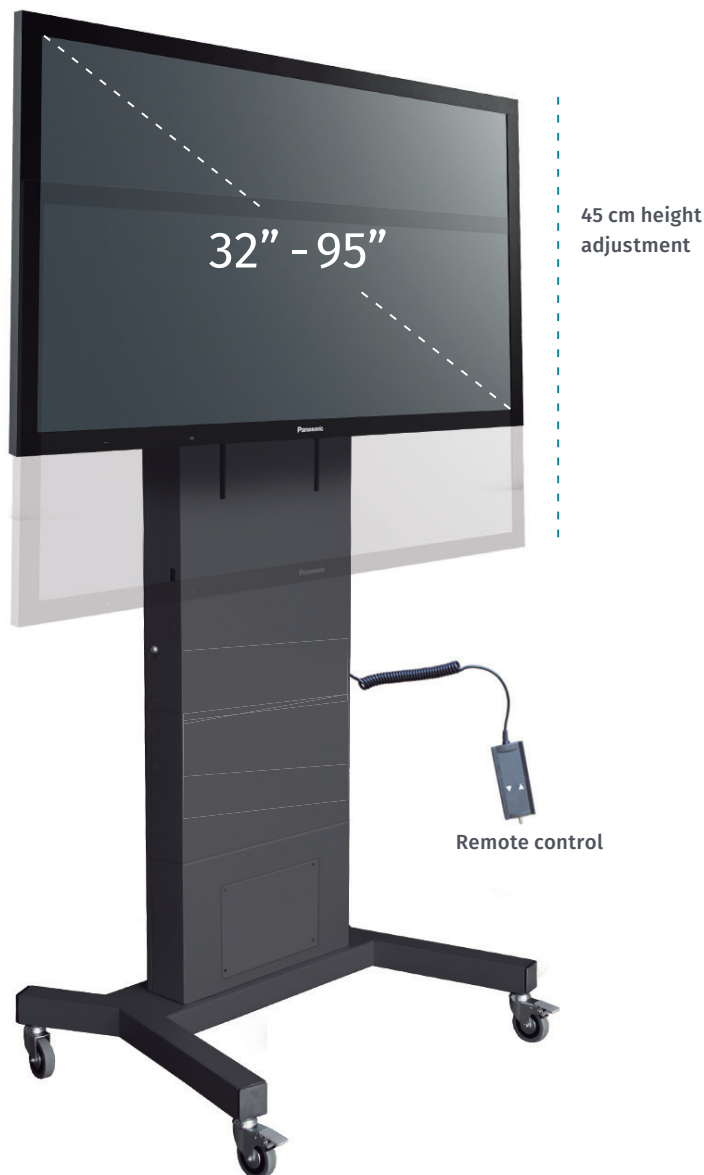
MIF MOT MINI



# UNIVERSAL SUPPORTS

FOR INTERACTIVE FLAT PANELS

# MOVMIFFMOTST



## Motorized mobile floor stand cart

### SPECIFICATIONS

Portable and easy to move between rooms

Ideal solution where a LCD/Plasma display cannot be fixed on a wall

Accommodates displays from 32 to 95 inches

Electronic height adjustment

Max. movement: 450 mm

Remote control with built in security switch for avoiding accidents

Display lock

Simple installation

Easy operation (even for wheelchair users)

Max. display weight: 160 kg

Wheel system with brakes

CE & UL certified



32 - 95"



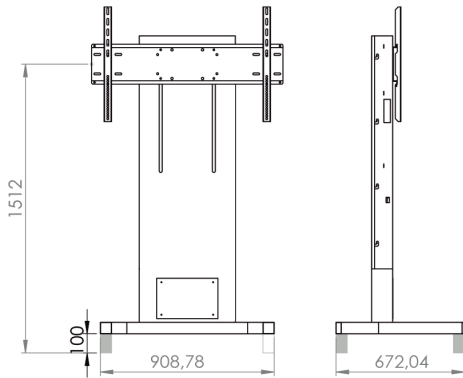
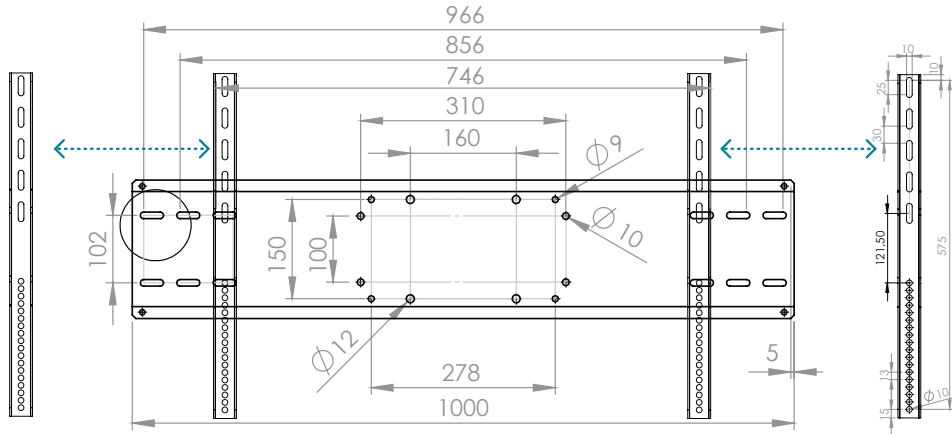
2 mts



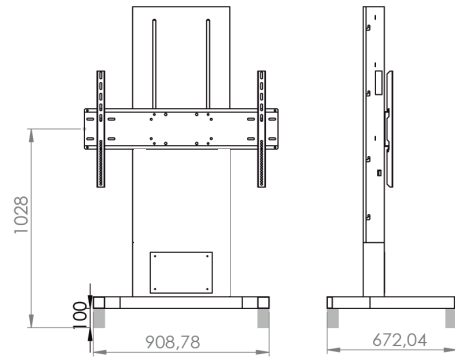
160 kgs



Motor.

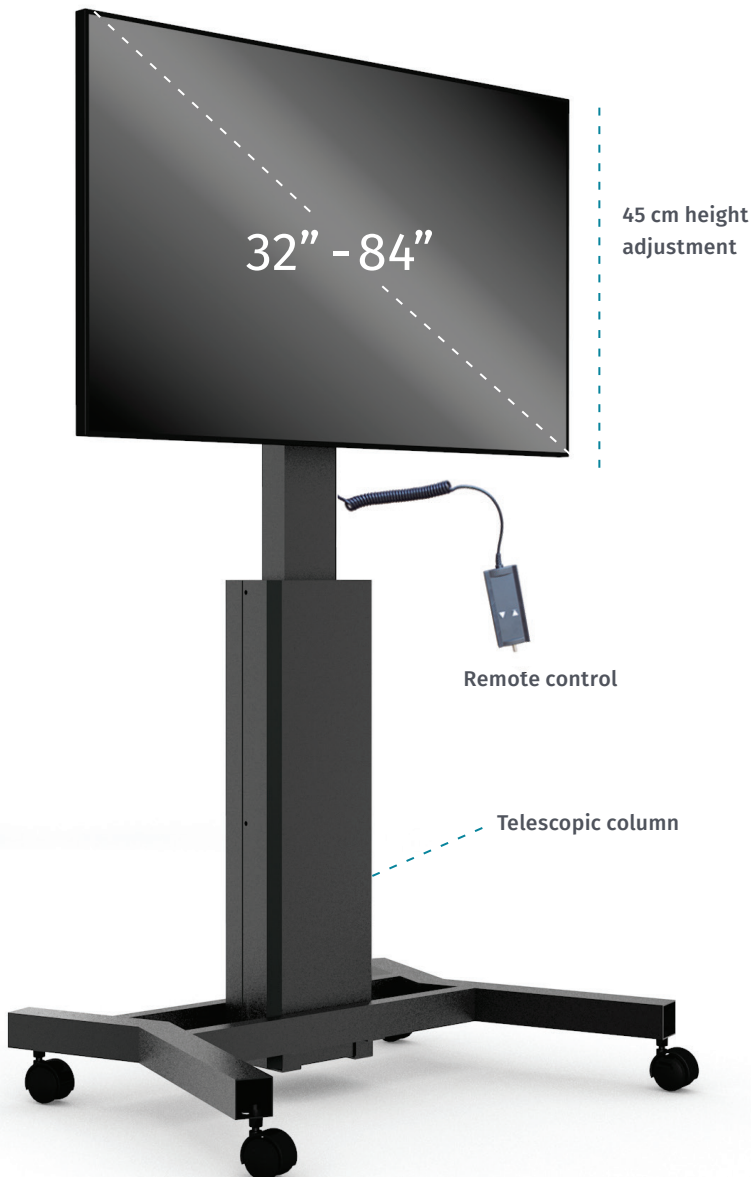


Top position



Bottom position

# MOVMIFFMOTMN



## Motorized mobile floor stand cart

### **SPECIFICATIONS**

Portable and easy to move between rooms

Ideal solution where a LCD/Plasma display cannot be fixed on a wall

Accommodates displays from 32 to 84 inches

Electronic height adjustment

Max. movement: 450 mm

Remote control with built in security switch for avoiding accidents

Display lock

Simple installation

Max. display weight: 100 kg

CE & UL certified



32 - 84"



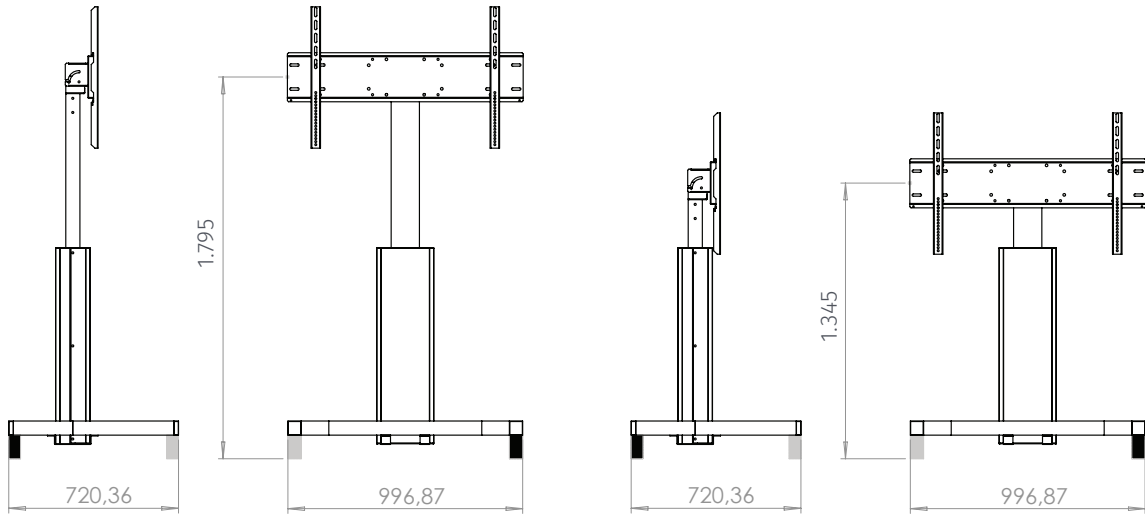
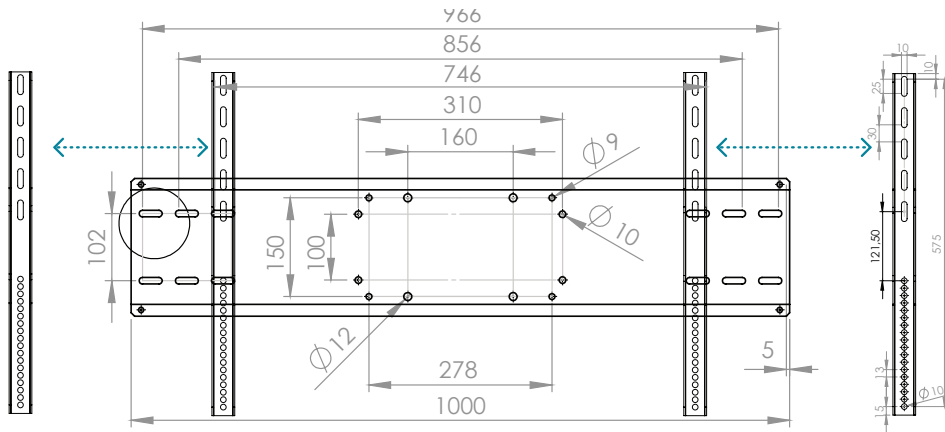
2 mts



100 kgs



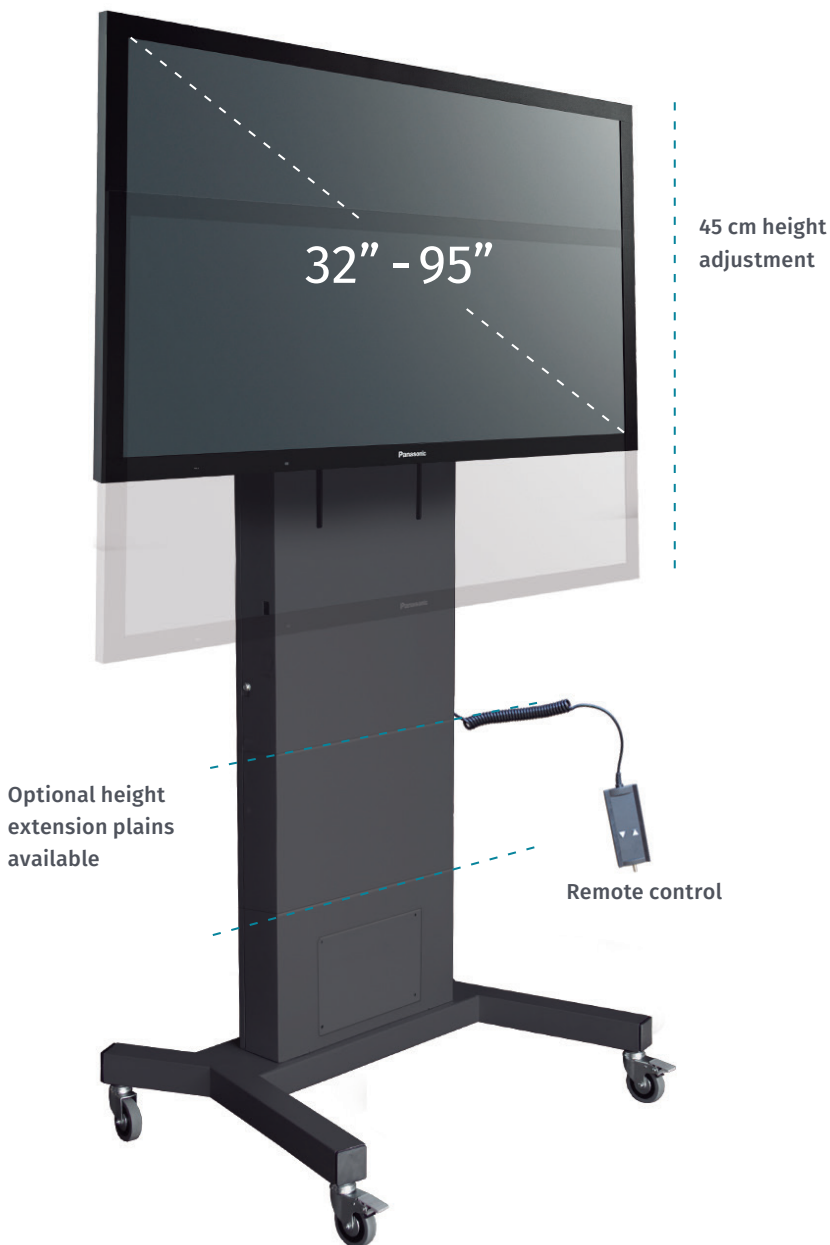
Motor.



Top position

Bottom position

# MOVMIFFMOTSP



## Motorized mobile floor stand cart

### SPECIFICATIONS

Portable and easy to move between rooms

Ideal solution where a LCD/Plasma display cannot be fixed on a wall

Accommodates with displays from 32 to 95 inches

Electronic height adjustment

Max. movement: 450 mm

Remote control with built in security switch for avoiding accidents

Display lock

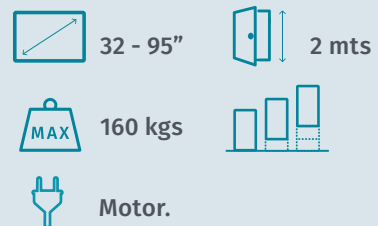
Simple installation

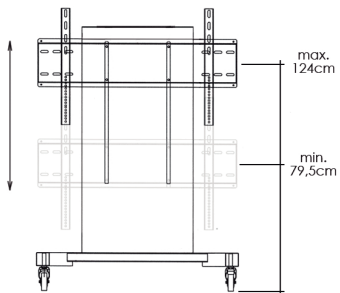
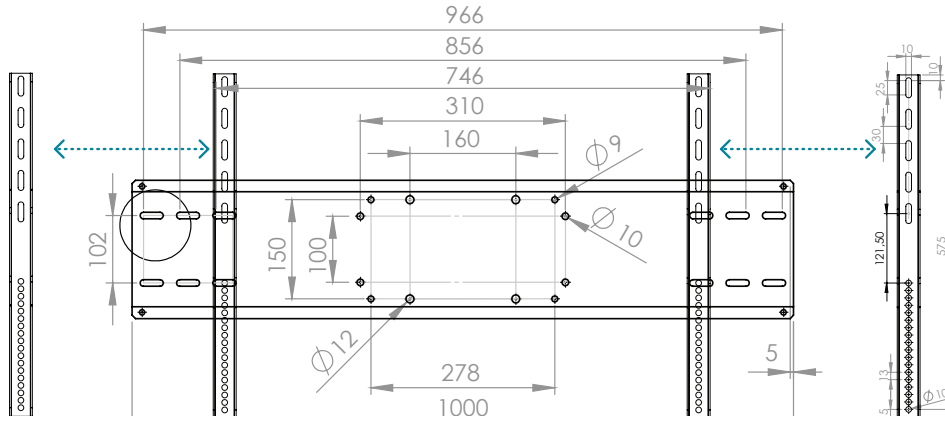
Easy operation (even for wheelchair users)

Max. display weight: 160 kg

Wheel system with brakes

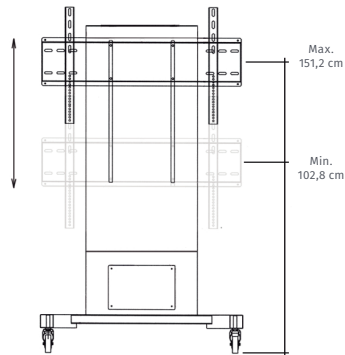
CE & UL certified





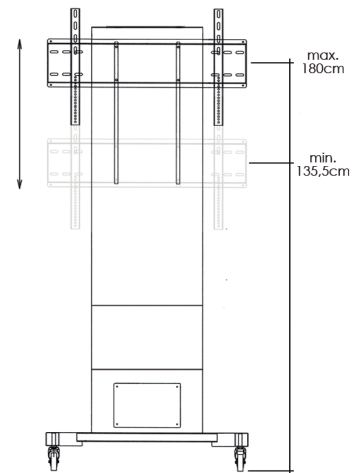
**MIF MOT SUPER "ZERO"**

With no extension plains



**MIF MOT SUPER**

With 1 extension plains (included)



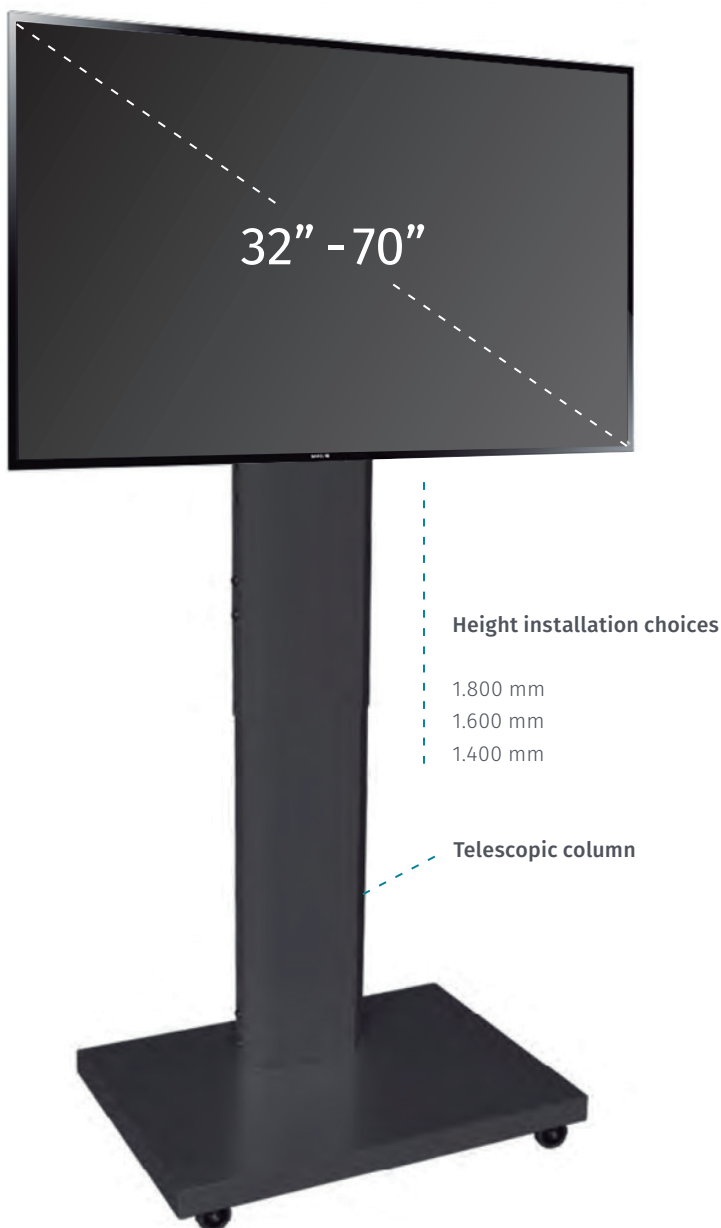
**MIF MOT SUPER + MI EXTENSION PLAIN**

With 2 extension plains



# MOVMI141618

## Mobile display stand with 3 height choices



### **SPECIFICATIONS**

Flexible & multifunctional display stand

Three different heights display installation choices:  
1.400 - 1.600 - 1.800 mm  
(from floor to display center)

Versatile usage area: education, public areas, offices, conference rooms, museums, hotels...

Floor base with wheels

Portable and easy to move between rooms

Ideal solution where a monitor cannot be installed on a wall

Functional & elegant design

Accommodates with displays from 32 to 70"



Display lock



Built in power socket


Simple installation

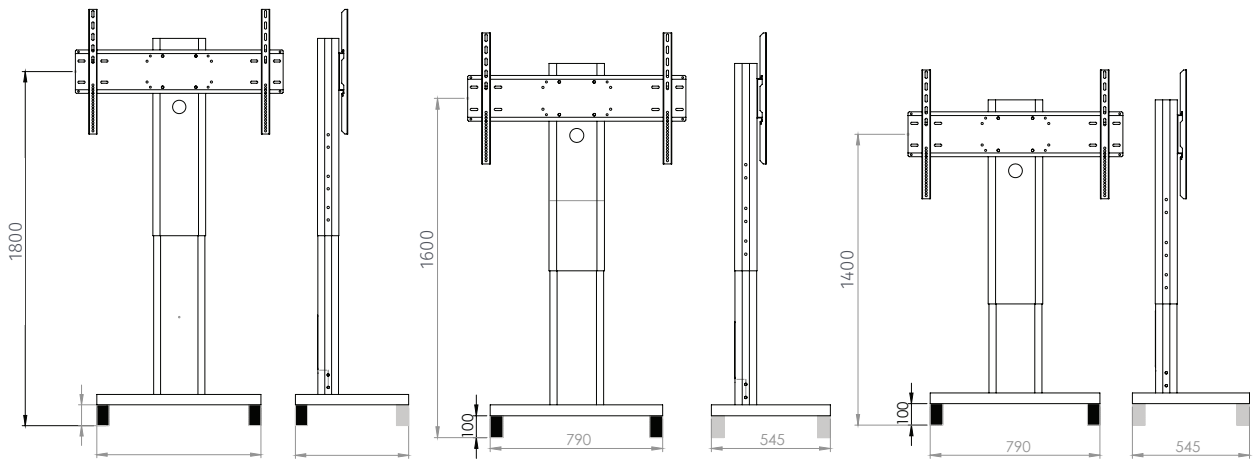
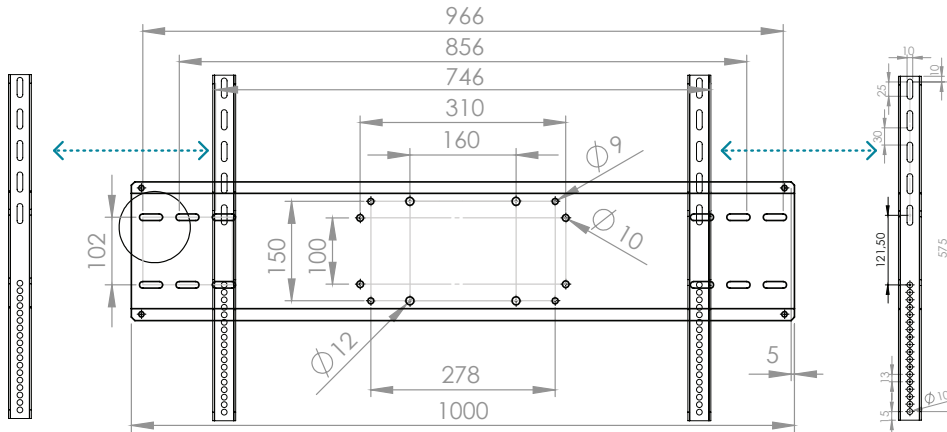
Max. display weight: 8 0 kg

Black color

 32 - 70"  2 mts

 80 kgs  Manual

 1.800, 1.600, 1.400 mm



Top position

Medium position

Bottom position

# MOVMITB



## Motorized tilt table floor stand

### **SPECIFICATIONS**

Floor stand with motorized height adjustment and 90° manual display tilt regulation

Ideal solution for touch displays in education, corporate, digital signage or event fields

Portable and easy to move between rooms

Accommodates with displays from 32 to 70"

Max. height movement: 450 mm

Remote control with built in security switch for avoiding accidents

Display lock

Simple installation & operation

Max. display weight: 85 kg

Wheel system with brakes

CE & UL certified



32 - 70"



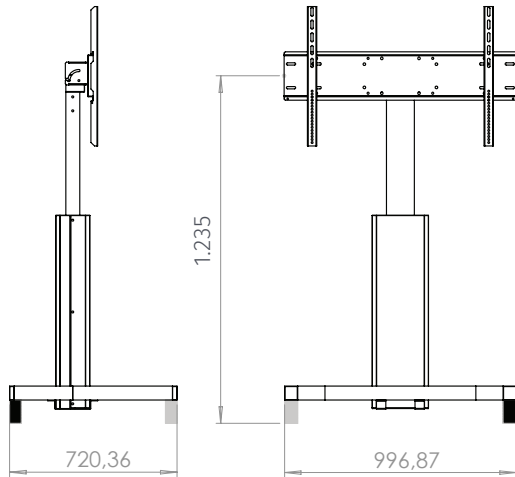
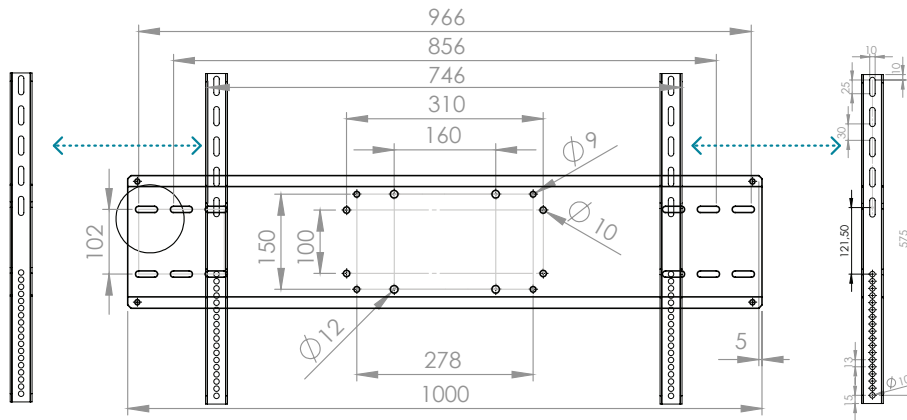
Motor.



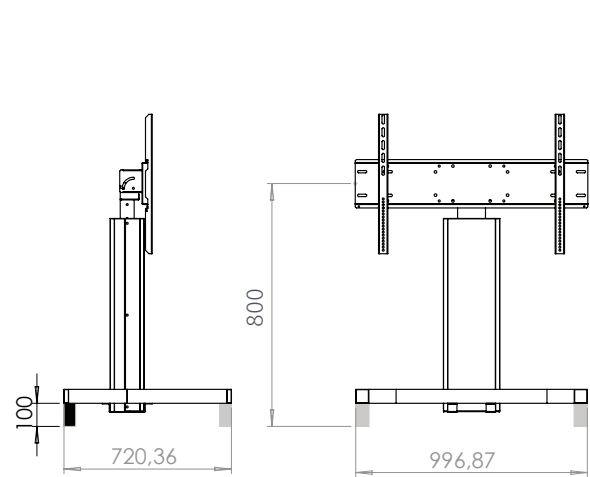
85 kgs



90° Manual

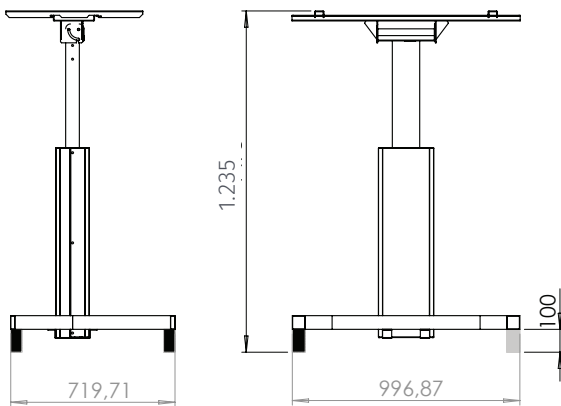


Top position



Bottom position

## PRODUCT CONFIGURATIONS



Stand / vertical position

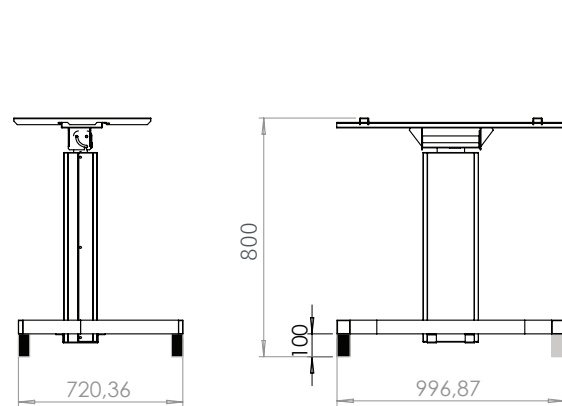


Table / horizontal posición

# MOVMIPTOTST



## Motorized wall mount, compatible with any kind of wall

### SPECIFICATIONS

Ideally designed for touch LCD/  
Plasma displays (education &  
corporate fields)

Accommodates displays  
from 32 to 95 inches

Electronic height adjustment

Max. movement: 450 mm

Remote control with built in security  
switch for avoiding accidents

Display lock

Simple installation

Max. display weight: 160 kg

Compatible with any kind of wall

Specially designed for achieving  
free distance between the wall  
and the back of the mount so that  
installation is compatible with any  
kind of existing baseboard  
or obstacle on the wall

Four legs with height adjustment for  
the use on any kind of floor surface

CE & UL certified

45 cm height  
adjustment

32" - 95"

Remote control



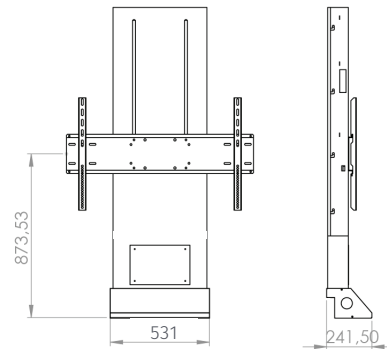
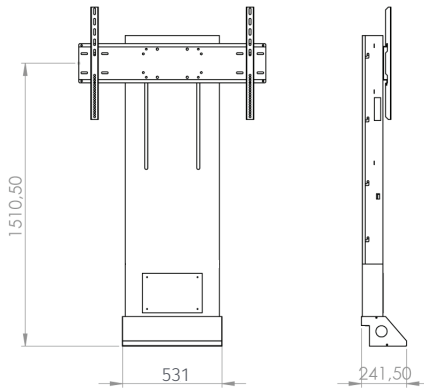
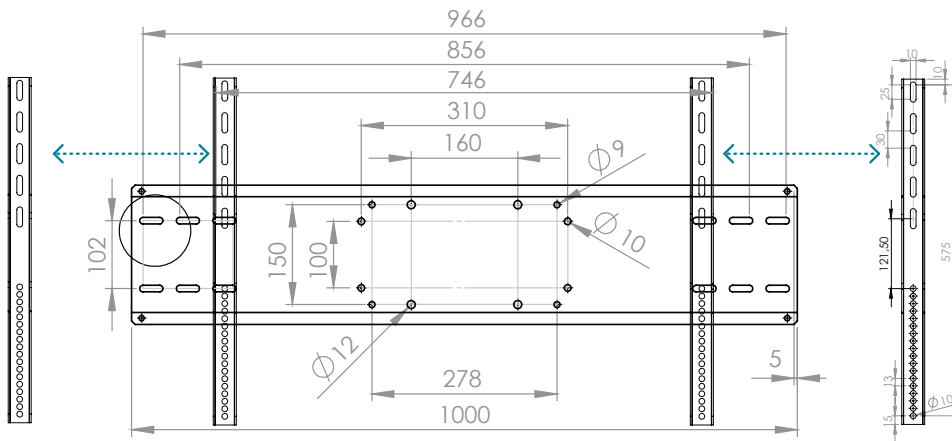
32 - 95"



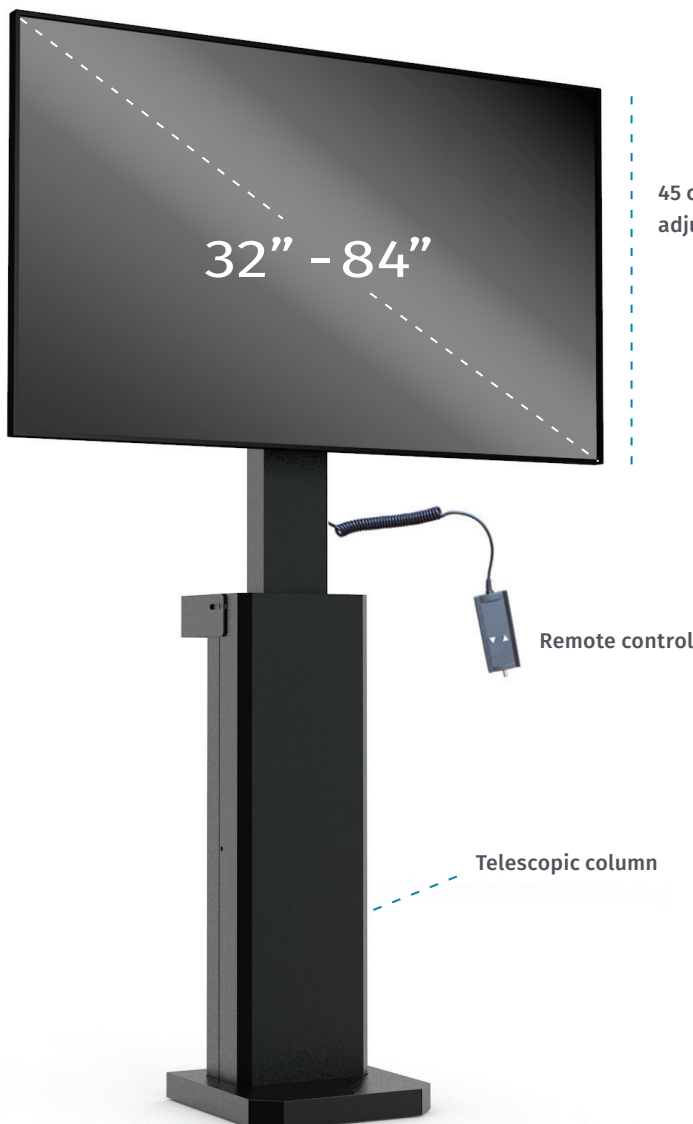
Motor.



160 kgs



# MOVMIPTOTMN



## Motorized wall mount, compatible with any kind of wall

### **SPECIFICATIONS**

Ideally designed for touch LCD/ Plasma displays (education & corporate fields)

Accommodates displays from 32 to 84 inches

Electronic height adjustment

Max. movement: 450 mm

Remote control with built in security switch for avoiding accidents

Display lock

Simple installation

Max. display weight: 100 kg

Compatible with any kind of wall

Specially designed for achieving free distance between the wall and the back of the mount so that installation is compatible with any kind of existing baseboard or obstacle on the wall

Four legs with height adjustment for the use on any kind of floor surface

CE & UL certified



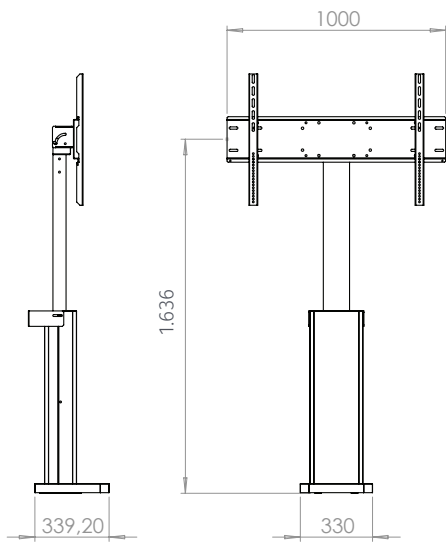
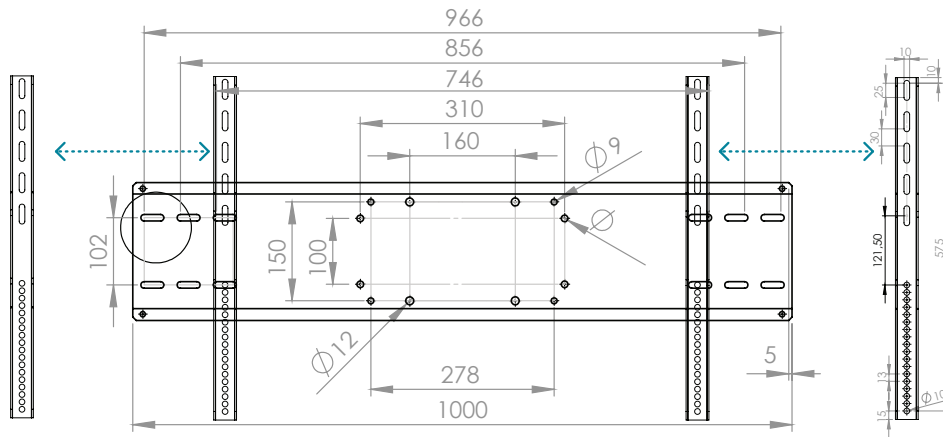
32 - 84"



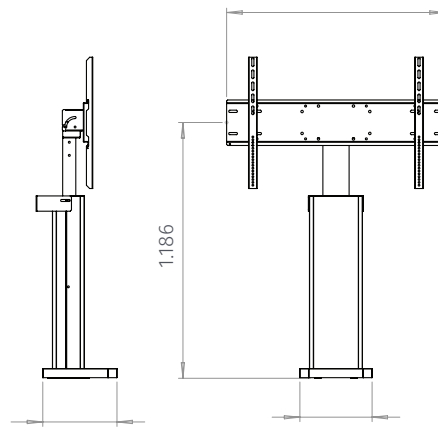
Motor.



100 kgs



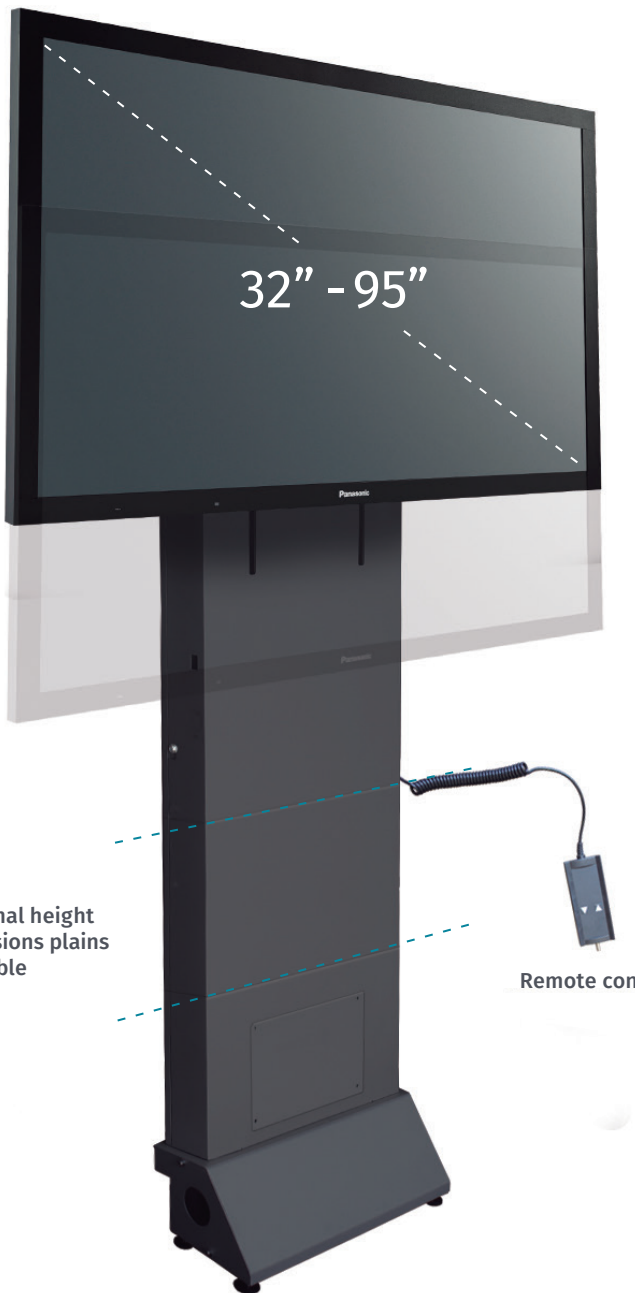
Top position



Bottom position



# MOVMIPTOTSP



45 cm height adjustment

Optional height extensions plans available

Remote control

## Motorized wall mount, compatible with any kind of wall

### **SPECIFICATIONS**

Ideally designed for touch LCD/ Plasma displays (education & corporate fields)

Accommodates displays from 32 to 95 inches

Electronic height adjustment

Max. movement: 450 mm

Remote control with built in security switch for avoiding accidents

Display lock

Simple installation

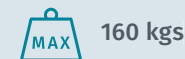
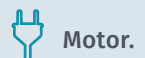
Max. display weight: 160 kg

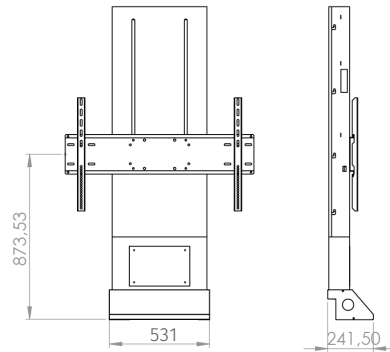
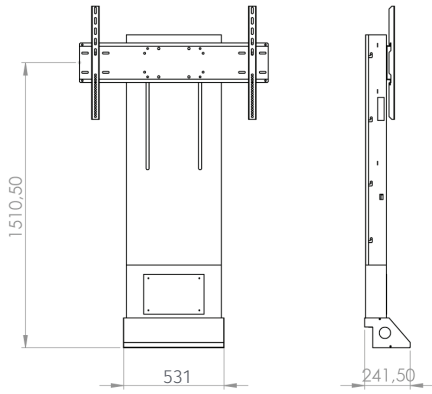
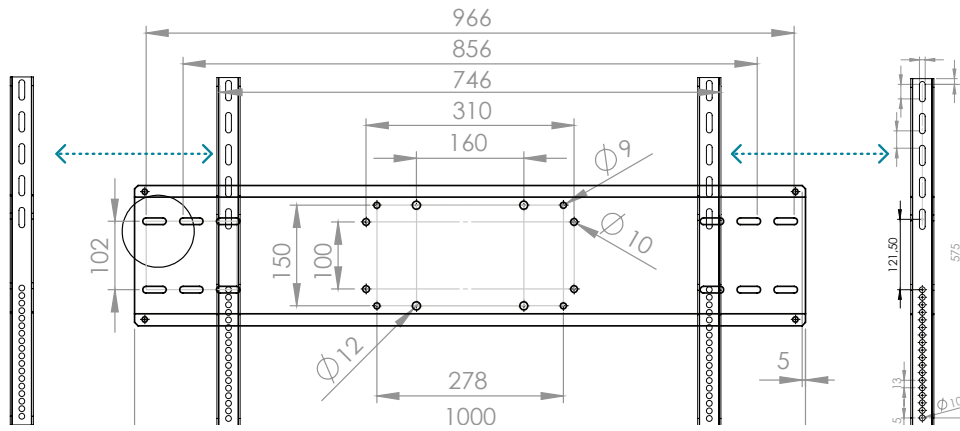
Compatible with any kind of wall

Specially designed for achieving free distance between the wall and the back of the mount so that installation is compatible with any kind of existing baseboard or obstacle on the wall

Four legs with height adjustment for the use on any kind of floor surface

CE & UL certified

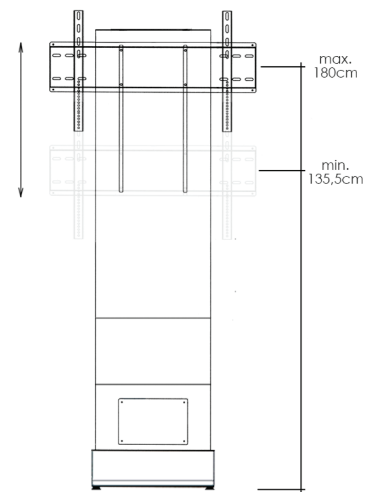
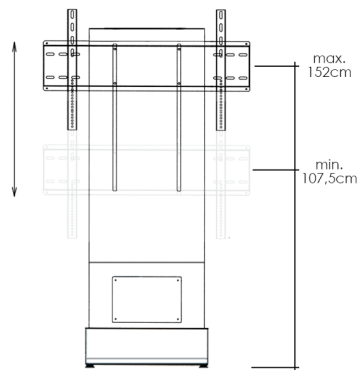
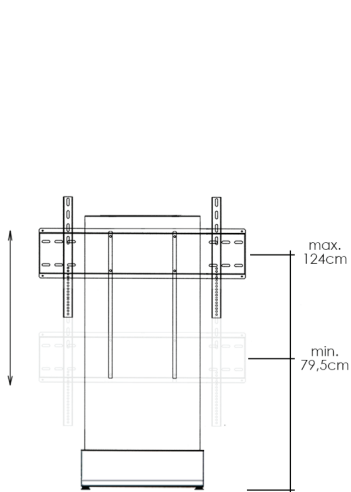




Maximum height

Minimum height

## PRODUCT CONFIGURATIONS



**MIP MOT SUPER "ZERO"**

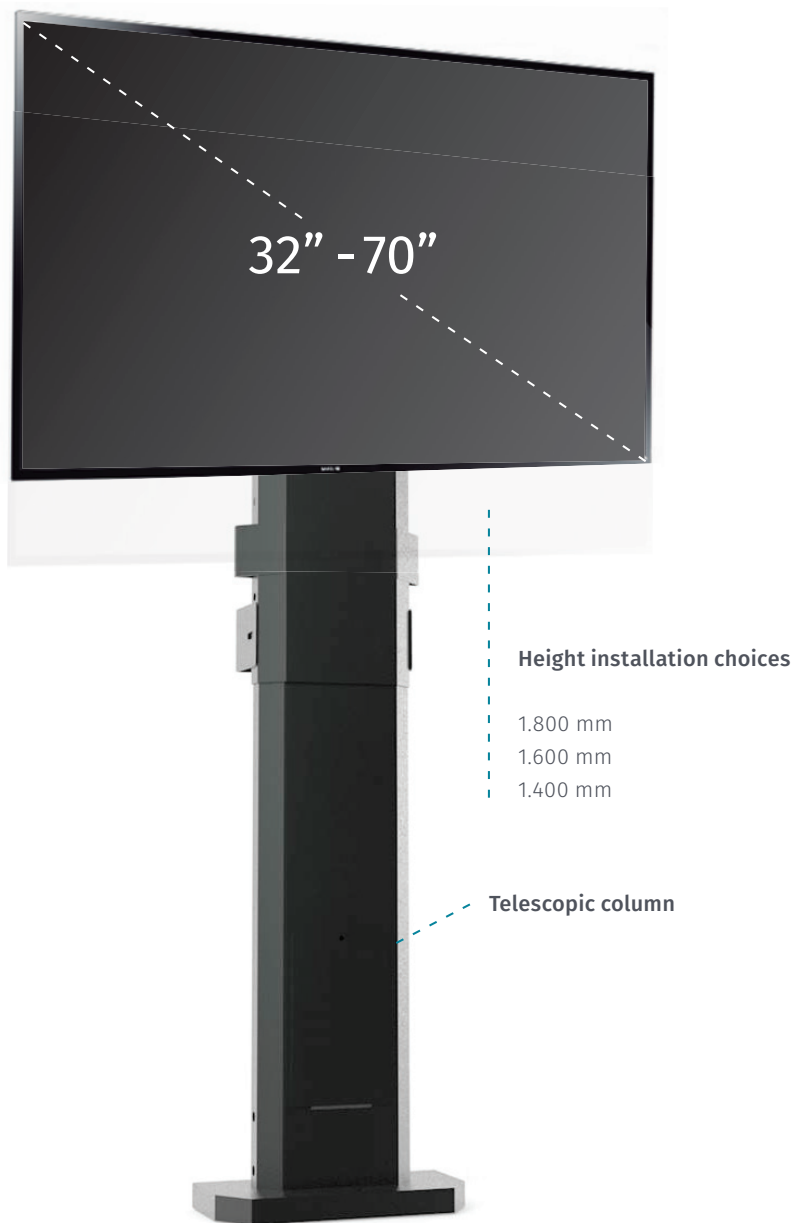
With no extension plains

**MIP MOT SUPER**

With 1 extension plains (included)

**MIP MOT SUPER  
+ MI EXTENSION PLAIN**

# MOVMIIP141618



## Display wall mount with 3 height choices

### SPECIFICATIONS

Flexible & multifunctional display stand

Three different heights display installation choices:  
1.400 - 1.600 - 1.800 mm  
(from floor to display center)

Versatile usage area: education, public areas, offices, conference rooms, museums, hotels...

Functional & elegant design

Accommodates with displays from 32 to 70"

Compatible with any kind of wall

Specially designed for achieving free distance between the wall and the back of the mount so that installation is compatible with any kind of existing baseboard or obstacle on the wall

Four legs with height adjustment for the use on any kind of floor surface





Display lock

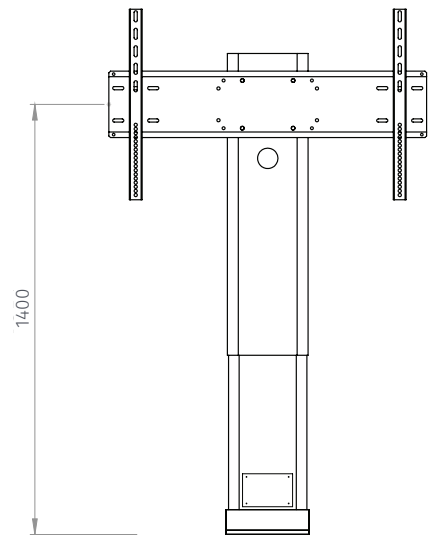
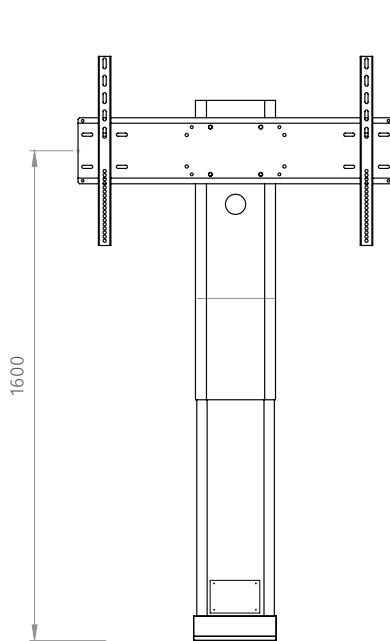
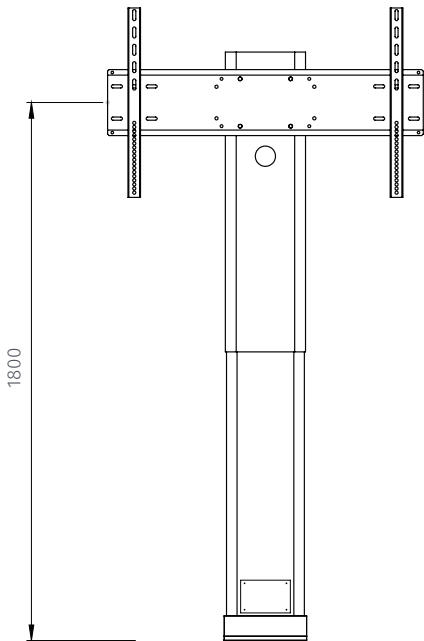
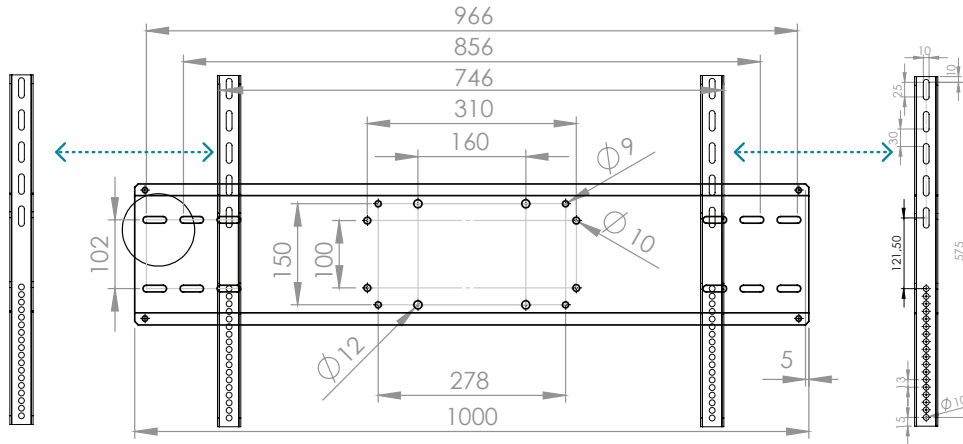
Built in power socket

Simple installation

Max. display weight: 80 kg

Black color

	32 - 70"		Manual
	80 kgs		1.800 mm 1.600 mm 1.400 mm



Top position

Medium position

Bottom position

# ACCESSORIES



## MOVMICAM+SPK

### SPECIFICATIONS

- Shelf to accommodate a videoconferencing camera and a pair of speakers on the top of the display
- Height adjustment: 27cm
- Compatible with:  
MIP MOT, MIF MOT y MIF 1400-1600-1800



## MOVMILPT

### SPECIFICATIONS

- Safety box for housing a laptop, mouse, keyboard and/or tablet
- Laptops up to 17"
- Compatible with: MIP MOT, MIF MOT, MIP MOT DUO y MIF MOT DUO
- Installation directly on wall also available

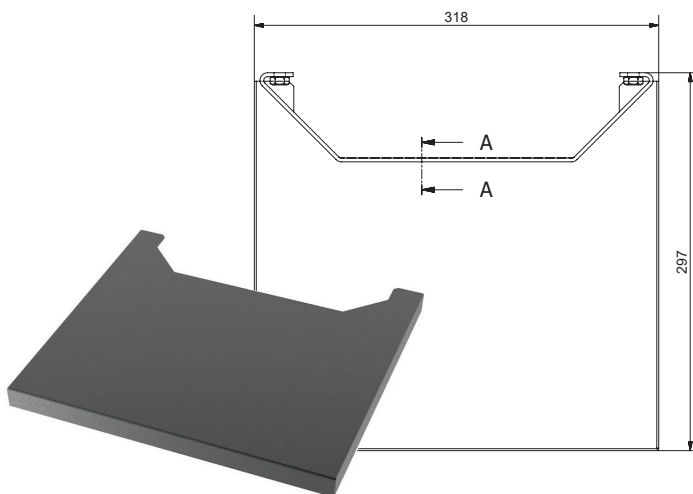
# ACCESSORIES



## MOVMIPLY

### SPECIFICATIONS

- Safety box for housing a mini PC or digital player
- Compatible with any display mount or stand
- Installation directly on wall also available



## MOVMIPIPSH

### SPECIFICATIONS

- Safety box for housing a mini PC or digital player
- Compatible with:  
MIF/MIP 1400-1600-1800 references





# HELGI

THE DIGITAL COURTYARD

Helgi Europe  
[education@helgi-solutions.com](mailto:education@helgi-solutions.com)  
[business@helgi-solutions.com](mailto:business@helgi-solutions.com)  
[www.helgi-solutions.com](http://www.helgi-solutions.com)