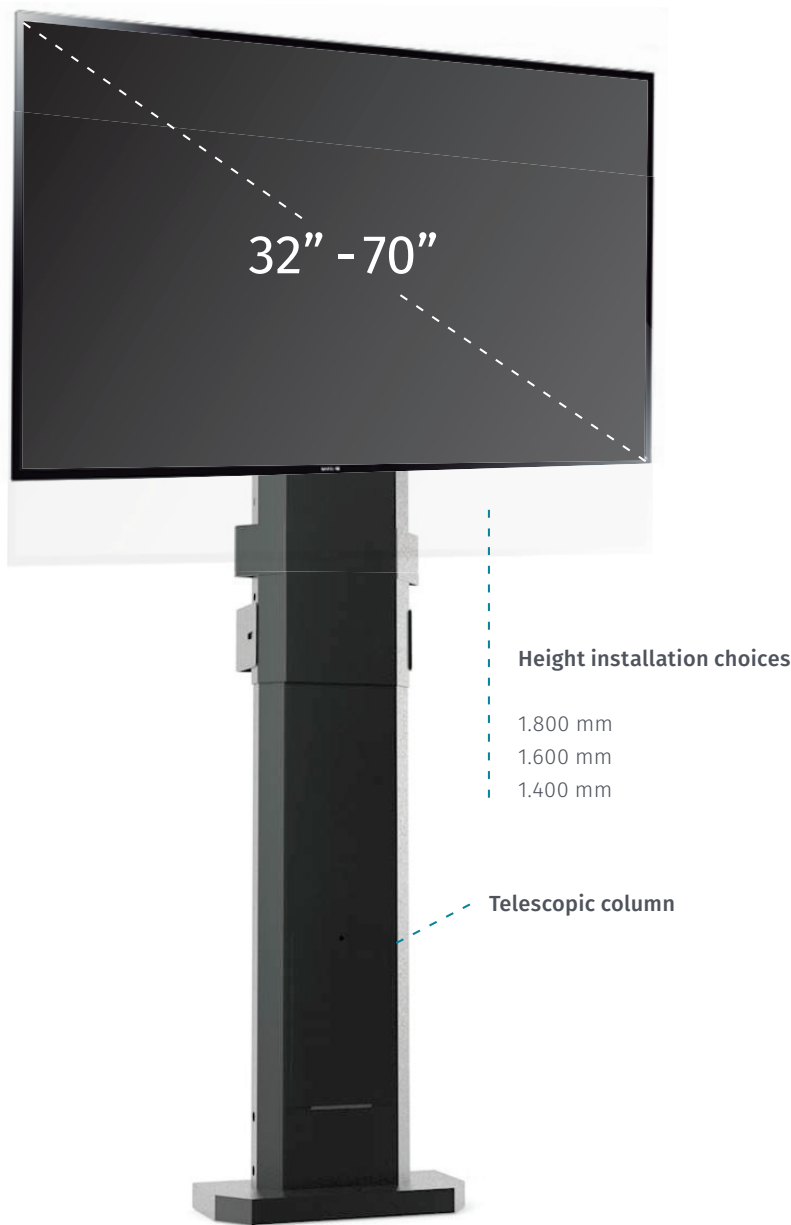


MOVMIIP141618



Display wall mount with 3 height choices

SPECIFICATIONS

Flexible & multifunctional display stand

Three different heights display installation choices:
1.400 - 1.600 - 1.800 mm
(from floor to display center)

Versatile usage area: education, public areas, offices, conference rooms, museums, hotels...

Functional & elegant design

Accommodates with displays from 32 to 70"

Compatible with any kind of wall

Specially designed for achieving free distance between the wall and the back of the mount so that installation is compatible with any kind of existing baseboard or obstacle on the wall

Four legs with height adjustment for the use on any kind of floor surface





Display lock

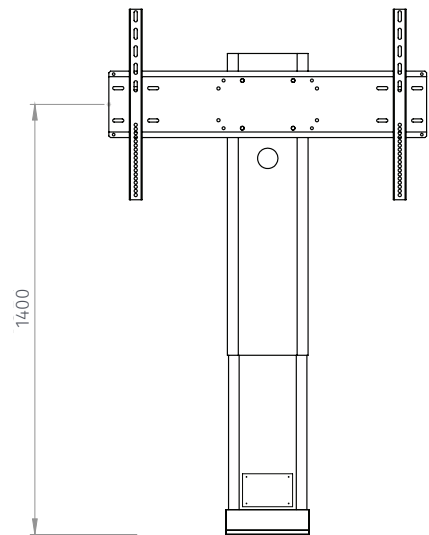
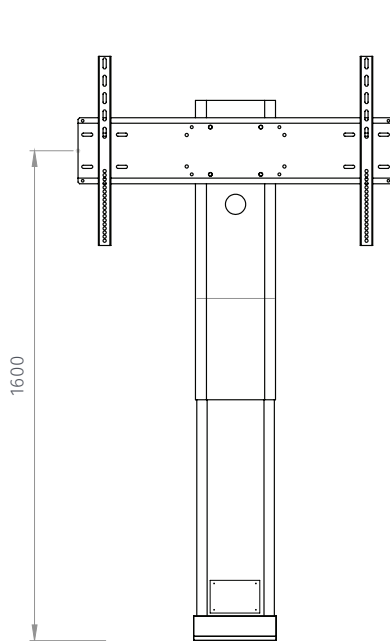
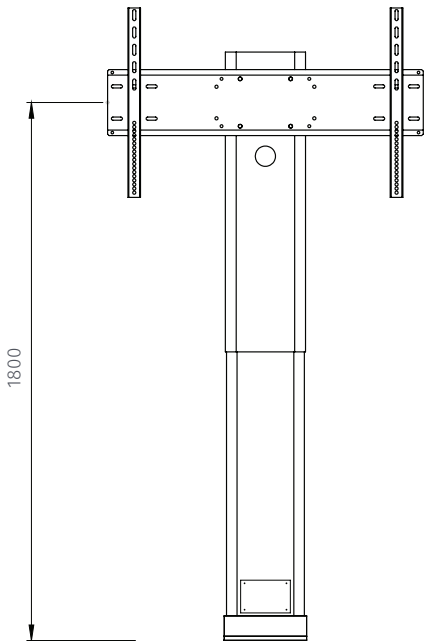
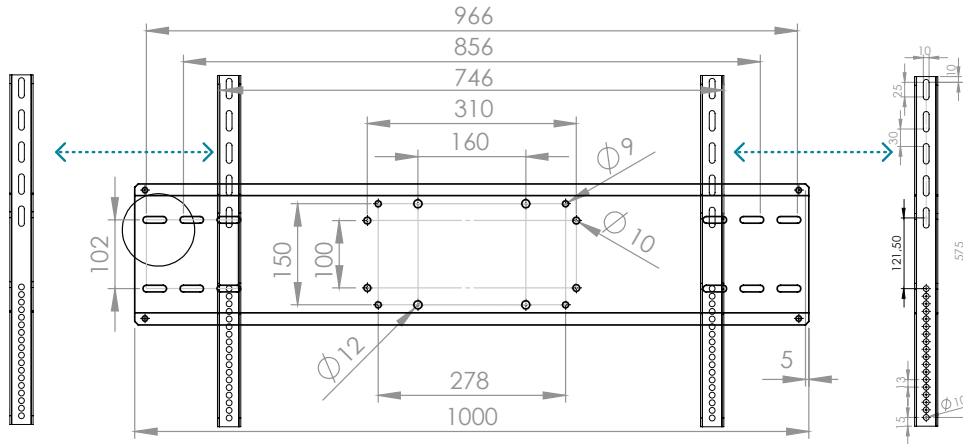
Built in power socket

Simple installation

Max. display weight: 80 kg

Black color

	32 - 70"		Manual
	80 kgs		1.800 mm 1.600 mm 1.400 mm



Top position

Medium position

Bottom position