

55-inch Class Ultra Narrow Bezel LCD Display

## TH-55VF1HW

### Product specification (design and specification subject to change without notice)

#### ■ DISPLAY PANEL

Screen Size (Diagonal)	55-inch (1387 mm)
Panel Type / Backlight	IPS / Direct LED
Aspect ratio	16:9
Effective Display Area (W x H)	1209.6 x 680.4 mm
Resolution (H x V)	1920 x 1080
Brightness	700 cd/m <sup>2</sup> (Typ)
Contrast Ratio	1200:1(typ)
Dynamic Contrast Ratio	500000:1
Viewing Angle (Horizontal / Vertical)	178° / 178° (CR ≥ 10)
Response Time	8.0 ms (typ) (G to G)
Panel Life*1	approx. 60000 hours (typ)
Panel Surface Treatment	Anti-glare type (Haze 44%)

\*1 When the panel lifetime is at 50% of the brightness under the condition of 25 degrees Celsius (+/- 2 degrees Celsius).

#### ■ CONNECTION TERMINAL

HDMI IN	HDMI Type A Connector x 1	Linear PCM (Sampling frequency : 48 kHz/44.1 kHz/32 kHz)
COMPONENT / RGB IN	BNC x 1 set	Y/G : BNC Contact Plug with sync 1.0 V [p-p] (75 Ω) P <sub>B</sub> /C <sub>B</sub> /B : BNC Contact Plug without sync 0.7 V [p-p] (75 Ω) P <sub>R</sub> /C <sub>R</sub> /R : BNC Contact Plug without sync 0.7 V [p-p] (75 Ω)
AUDIO IN	L/R: Pin Jack x 1 (Shared with VIDEO IN)	0.5 Vrms
VIDEO IN	BNC x 1 set (Shared with COMPONENT/RGB IN Y/G)	1.0 Vp-p (75 Ω)
AUDIO IN	L/R: Pin Jack x 1 (Shared with COMPONENT/RGB IN)	0.5 Vrms
DVI-D IN	DVI-D 24-pin x 2	Compliance with DVI Revision 1.0 Compatible with HDCP 1.1
AUDIO IN	Stereo Mini Jack (M3) x 1 (Shared with PC IN)	0.5 Vrms
PC IN	Mini D-Sub 15-pin x 1 (Female)	Y/G : with sync 1.0 V [p-p] (75 Ω) : without sync 0.7 V [p-p] (75 Ω) P <sub>B</sub> /C <sub>B</sub> /B : without sync 0.7 V [p-p] (75 Ω) P <sub>R</sub> /C <sub>R</sub> /R : without sync 0.7 V [p-p] (75 Ω) HD/VD : 1.0 - 5.0 V [p-p] (high impedance)
AUDIO IN	Stereo Mini Jack (M3) x 1 (Shared with DVI-D IN)	0.5 Vrms
Display Port IN	DisplayPort (DP1.1 Dual Mode Only) x 1	
SERIAL IN / OUT	D-sub 9pin x 1 / x 1, RS-232C Compatible	
DIGITAL LINK IN	RJ45 x 1, Long Reach Mode (Shared with LAN IN)	
DIGITAL LINK OUT	RJ45 x 1 (Shared with LAN OUT)	
LAN IN / OUT	RJ45 x 1 / x 1, 100BASE-TX, Compatible with PLink™ (Shared with DIGITAL LINK)	
IR IN / OUT	Stereo Mini Jack (M3) x 1 / x 1	
AUDIO OUT	Stereo Mini Jack (M3) x 1 Variable (-∞ - 0 dB) (1 kHz 0 dB Input, 10 k Ω Load)	0.5 V [rms]
USB	USB 2.0 Type A connector x 1 DC 5 V / 500 mA (USB3.0 is not supported.)	

#### ■ AUDIO

Speaker	8 Ω, 20 W [10 W + 10 W] (10 % THD)
---------	------------------------------------

#### ■ ELECTRICAL

Power Requirements	220 V - 240 V, 50 / 60 Hz
Power Consumption	300 W
On Mode Average Power Consumption*	120 W
Power Off Condition	approx. 0 W
Stand-by Condition	approx. 0.5 W
Apparent power	318 VA

\*Based on IEC 62087 Ed.2 measurement method

#### ■ MECHANICAL

Dimension (W x H x D)	1211.4 x 682.2 x 99 mm
Weight	approx. 25 kg
Carton Dimensions (W x H x D)	1544 x 973 x 301 mm
Gross Weight	approx. 34 kg
Cabinet Material / Color	Metal / Black
Bezel Width	T/R/L/B approx. 0.9 mm
Pitch for Wall-Hanging	VESA Compliant 400 x 400 mm (Installed by: M6 screws / Screw hole depth 10 mm)

#### ■ INSTALLATION

Orientation	Landscape / Portrait
Tilting Angle	Vertical only

\* Please contact your sales representative with regard to the tilt angle before installation.

**MAIN FEATURE**

DIGITAL LINK	YES
Daisy Chain	DIGITAL LINK*1, RS-232C, IR
USB Media Player	YES
Failback/Failover	YES
Data Cloning	YES
Digital ZOOM	YES
Multi display settings	YES
Power on screen delay	YES
Auto setting	YES
Screensaver	YES
PC/DVI/HDMI/DIGITAL LINK power management	YES
Power save	YES
6-segment colour management	YES
Colour enhancement	YES
Refine enhancer	YES
Gradation smoother	YES
Frame control	YES
Reverse scan	YES
Multi Dynamic backlight	YES
Long life mode / Auto brightness adjustment	YES
AMX D.D.	YES
Crestron Connected™	YES
Extron XTP	YES
WEB Browser control	YES
PJLink	YES
Operating Time*2	24h/7d
Pre-calibration	Done
Early Warning Software compatible	YES
Multi Monitoring & Control Software compatible	YES

\*1: 8 sets with HDCP, 10 sets without HDCP

\*2: In case of running for a long time, the moving image is recommended to be displayed. If you display a still picture for an extended period, the image retention might remain on the screen. However, image retention can gradually disappear by displaying a moving images.

**ENVIRONMENTAL**

Operating Environment	Temperature	: 0°C to 40°C *1 0°C to 35°C *2
	Humidity	: 10% to 90% (No condensation)
	Altitude	: 0 to 2800 m
Storage Environment	Temperature	: -20°C to 60°C
	Humidity	: 10% to 90% (No condensation)

\*1 : for up to 1400 m altitude

\*2 : for between 1400 m and 2800 m altitude Depending on the temperature or humidity conditions, uneven brightness may be observed. This is not a malfunction.

• This unevenness will disappear while applying current continuously. If not, consult the distributor.

**STANDARD (CERTIFICATIONS)**

SAFETY REGULATIONS	IEC 60950-1:2005 (Second Edition) + Am 1:2009 + Am 2:2013, EN 60950-1: 2006 + A11:2009 + A1:2010 + A12:2011 + A2:2013, AS/NZS 60950.1:2011 Inc A1
RADIATION REGULATIONS	EN55032:2010+AC:2011 Class A, EN55022:2010, EN55013:2013, EN55024:2010, EN61000-3-2:2014, EN61000-3-3:2013, AS/NZS CISPR32

**INCLUDED ACCESSORIES**

- AC cord (2.0 m)
- Remote Control
- External IR Receiver (Approx. 1.8 m)
- LAN Cable (CAT5e) (Approx. 2.0 m)
- Batteries (AAA size) x 2
- Clamper x 3
- CD-ROM/User manual
- Operating instruction book

**REMOTE CONTROL TRANSMITTER**

Power Requirements	DC 3 V (2 x AAA Size batteries)
Operating distance	approx. 7 m*
Weight	approx. 102 g including batteries
Dimensions (W x H x D)	48 x 145 x 27 mm

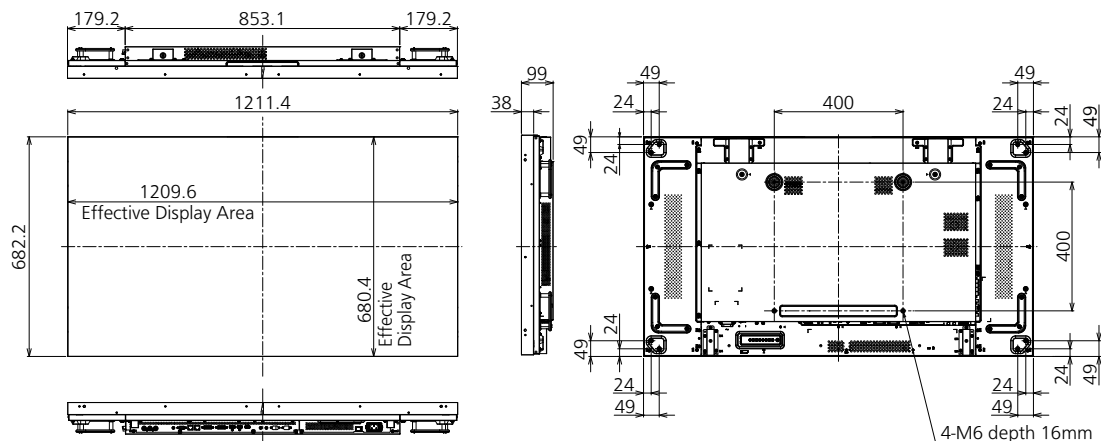
\*When operated directly in front of receptor.

**OPTIONAL ACCESSORIES**

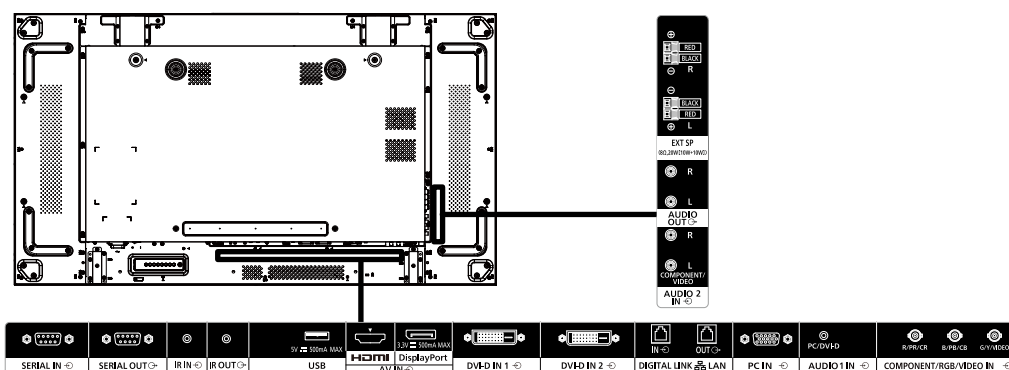
Installation Mount	TY-VK55LV1
Cover frame	TY-CF55VW1
Early Warning Software	ET-SWA100 series
Auto Display Adjustment Upgrade Kit	TY-VUK10

Cautions: This drawing is not a scale  
Units : mm

**DIMENSIONS**



**CONNECTION TERMINAL**



\* Specifications and appearance are subject to change without notice.

**List of correspondence signals**

V : VIDEO  
 R : D-sub RGB  
 Y : YCbCr/YPrPb  
 D : DVI-D  
 H : HDMI  
 DL : DIGITAL LINK

The picture signal which can indicate a this machine is as it is the following table.

Correspondence signal	Resolution (dot)	Scan rate		Dot clock rate (MHz)	Format	DIGITAL LINK
		Horizontal (kHz)	Vertical (Hz)			
NTSC/NTSC4.43/ PAL-M/PAL60	720 x 480i	15.73	59.94	-	V	
PAL/PAL-N/SECAM	720 x 576i	15.63	50.00	-	V	
525i (480i)	720 x 480	15.73	59.94	13.50	R/Y	
625i (576i)	720 x 576i	15.63	50.00	13.50	R/Y	
525i (480i)	720 (1440) x 480i <sup>*2</sup>	15.73	59.94	27.00	D/H	DL
625i (576i)	720 (1440) x 576i <sup>*2</sup>	15.63	50.00	27.00	D/H	DL
525p (480p)	720 x 483	31.47	59.94	27.00	R/Y/D/H	DL
625p (576p)	720 x 576	31.25	50.00	27.00	R/Y/D/H	DL
750 (720) /60p	1280 x 720	45.00	60.00	74.25	R/Y/D/H	DL
750 (720) /50p	1280 x 720	37.50	50.00	74.25	R/Y/D/H	DL
1125 (1080) /60i <sup>*1</sup>	1920 x 1080i	33.75	60.00	74.25	R/Y/D/H	DL
1125 (1080) /50i	1920 x 1080i	28.13	50.00	74.25	R/Y/D/H	DL
1125 (1080) /24p	1920 x 1080	27.00	24.00	74.25	R/Y/D/H	DL
1125 (1080) /24PsF	1920 x 1080i	27.00	48.00	74.25	R/Y	
1125 (1080) /25p	1920 x 1080	28.13	25.00	74.25	R/Y/D/H	DL
1125 (1080) /30p	1920 x 1080	33.75	30.00	74.25	R/Y/D/H	DL
1125 (1080) /60p	1920 x 1080	67.50	60.00	148.50	R/Y/D/H	DL
1125 (1080) /50p	1920 x 1080	56.25	50.00	148.50	R/Y/D/H	DL
640 x 400	640 x 400	31.47	70.09	25.18	R/Y/D/H	DL
	640 x 400	37.86	85.08	31.50	R/Y/D/H	DL
640 x 480	640 x 480	31.47	59.94	25.18	R/Y/D/H	DL
	640 x 480	35.00	66.67	30.24	R/Y/D/H	DL
	640 x 480	37.86	72.81	31.50	R/Y/D/H	DL
	640 x 480	37.50	75.00	31.50	R/Y/D/H	DL
	640 x 480	43.27	85.01	36.00	R/Y/D/H	DL
800 x 600	800 x 600	35.16	56.25	36.00	R/Y/D/H	DL
	800 x 600	37.88	60.32	40.00	R/Y/D/H	DL
	800 x 600	48.08	72.19	50.00	R/Y/D/H	DL
	800 x 600	46.88	75.00	49.50	R/Y/D/H	DL
832 x 624	832 x 624	53.67	85.06	56.25	R/Y/D/H	DL
	832 x 624	49.72	74.55	57.28	R/Y/D/H	DL
852 x 480	852 x 480	31.47	59.94	34.24	D/H	DL
1024 x 768	1024 x 768	39.55	50.00	51.89	D/H	DL
	1024 x 768	48.36	60.00	65.00	R/Y/D/H	DL
	1024 x 768	56.48	70.07	75.00	R/Y/D/H	DL
	1024 x 768	60.02	75.03	78.75	R/Y/D/H	DL
	1024 x 768	65.55	81.63	86.00	R/Y/D/H	DL
1066 x 600	1066 x 600	68.68	85.00	94.50	R/Y/D/H	DL
	1066 x 600	37.64	59.94	53.00	D/H	DL
1152 x 864	1152 x 864	53.70	60.00	81.62	D/H	DL
	1152 x 864	63.99	70.02	94.20	R/Y/D/H	DL
	1152 x 864	67.50	75.00	108.00	R/Y/D/H	DL
	1152 x 864	77.09	85.00	119.65	R/Y/D/H	DL
1152 x 870	1152 x 870	68.68	75.06	100.00	R/Y/D/H	DL
1280 x 720	1280 x 720	44.76	60.00	74.48	R/Y/D/H	DL
1280 x 768	1280 x 768	39.55	49.94	65.18	R/Y/D/H	DL
	1280 x 768	47.70	60.00	80.14	R/Y/D/H	DL
	1280 x 768	47.78	59.87	79.50	R/Y/D/H	DL
1280 x 800	1280 x 800	41.20	50.00	68.56	R/Y/D/H	DL
	1280 x 800	49.31	59.91	71.00	R/Y/D/H	DL
	1280 x 800	49.70	59.81	83.50	R/Y/D/H	DL
1280 x 960	1280 x 960	60.00	60.00	108.00	R/Y/D/H	DL
	1280 x 960	85.94	85.00	148.50	R/Y	
1280 x 1024	1280 x 1024	63.98	60.02	108.00	R/Y/D/H	DL
	1280 x 1024	79.98	75.02	135.00	R/Y/D/H	DL
	1280 x 1024	91.15	85.02	157.50	R/Y/D/H	DL
1360 x 768	1360 x 768	47.71	60.02	85.50	D/H	DL
	1360 x 768	47.70	60.00	84.72	D/H	DL
	1360 x 768	47.72	59.80	84.75	D/H	DL
1366 x 768	1366 x 768	39.55	50.00	69.92	D/H	DL
	1366 x 768	48.39	60.03	86.71	R/Y/D/H	DL
	1366 x 768	48.00	60.00	72.00	R/Y/D/H	DL
	1366 x 768	39.56	49.89	69.00	R/Y/D/H	DL
	1366 x 768	47.71	59.79	85.50	R/Y/D/H	DL
1400 x 1050	1400 x 1050	65.22	60.00	122.61	D/H	DL
	1400 x 1050	82.20	75.00	155.85	R/Y/D/H	DL
1440 x 900	1440 x 900	55.47	59.90	88.75	R/Y/D/H	DL
	1440 x 900	55.92	60.00	106.47	R/Y/D/H	DL
1600 x 900	1600 x 900	46.30	50.00	97.05	D/H	DL
	1600 x 900	60.00	60.00	108.00	D/H	DL
	1600 x 900	55.99	59.95	118.25	D/H	DL
	1600 x 900	55.92	60.00	119.00	D/H	DL
1680 x 1050	1680 x 1050	65.29	59.95	146.25	R/Y/D/H	DL
1600 x 1200	1600 x 1200 <sup>*3</sup>	75.00	60.00	162.00	R/Y/D/H	DL
1920 x 1080	1920 x 1080 <sup>*4</sup>	66.59	59.93	138.50	R/Y/D/H	DL
	1920 x 1080	67.50	60.00	148.50	R/Y/D/H	DL
1920 x 1200	1920 x 1200 <sup>*3</sup>	74.04	59.95	154.00	R/Y/D/H	DL

● The signal format distinguished automatically will be sometimes indication different from an actual input signal.

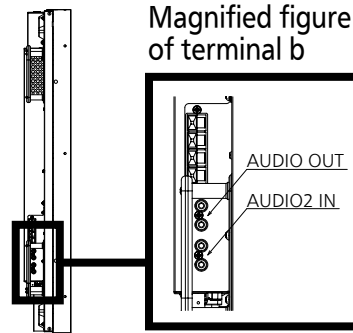
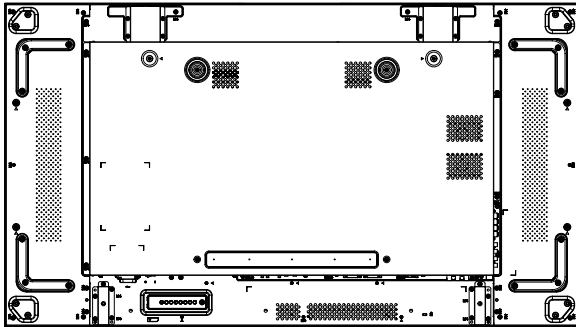
\*1: When 1125 (1035) /60i signal is input, it is displayed as 1125 (1080) /60i signal. \*3: Displayed with image elements thinned out in the image processing circuit.

\*2: Pixel-Repetition signal (dot clock frequency 27.0 MHz) only

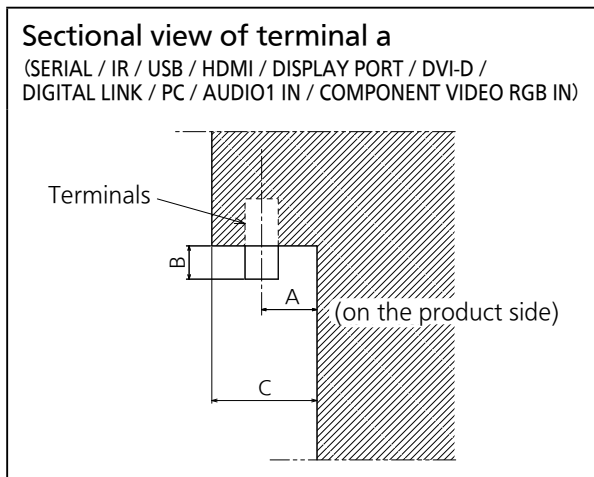
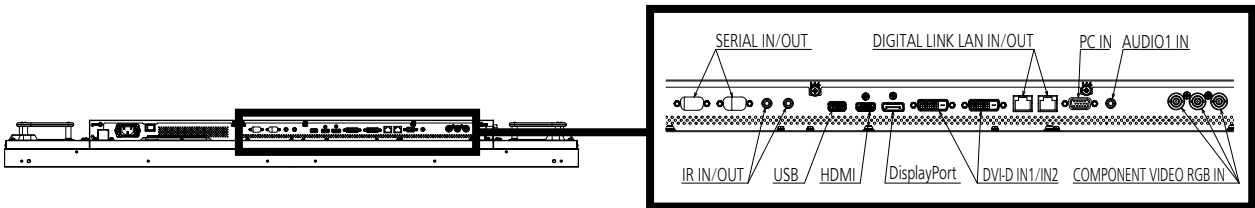
\*4: Based on VESA CVT-RB (Reduced Blanking) standard

**Drawing of terminals**

View from back



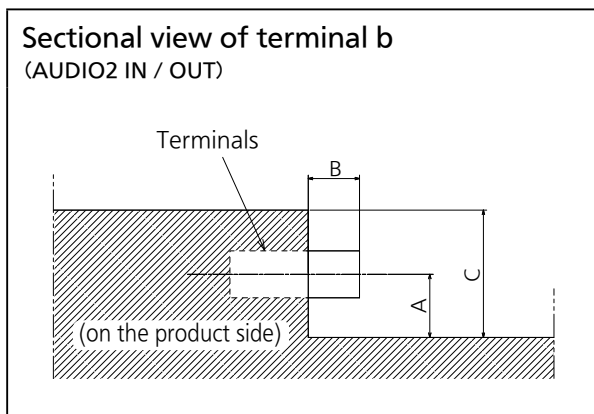
Magnified figure of terminal a



**Terminal a**  
55VF1HW Terminal (Bottom)

Units : mm

	SERIAL (IN/OUT)	IR (IN/OUT)	USB	HDMI	DISPLAY PORT	DVI-D (IN1/IN2)	DIGITAL LINK LAN (IN/OUT)	PC IN	AUDIO1 IN	COMPONENT VIDEO RGB IN
A	22.7	23	20.5	19.9	19.9	21.5	22.5	22.7	23	24.6
B	3.9	1.4				4.9		4.5	1.4	11
C	42.6									



**Terminal b**  
55VF1HW Terminal (Side)

Units : mm

	AUDIO2 IN/OUT
A	22.4
B	7.9
C	42.6

\*Due to the construction of terminal, some types of connecting cable or USB memory device cannot be used. Be sure to use connecting cable or USB memory device after confirmation in this drawing.