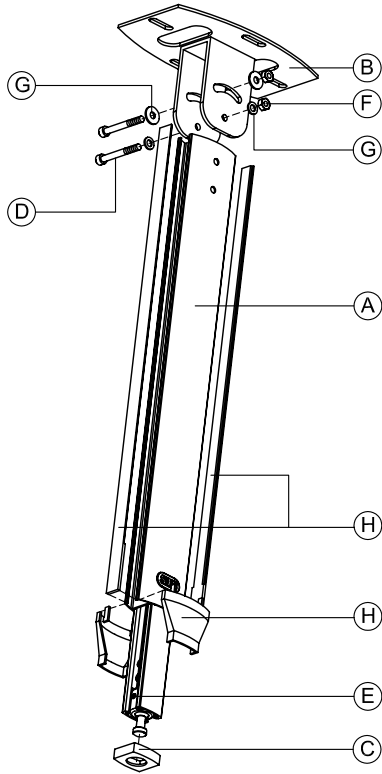




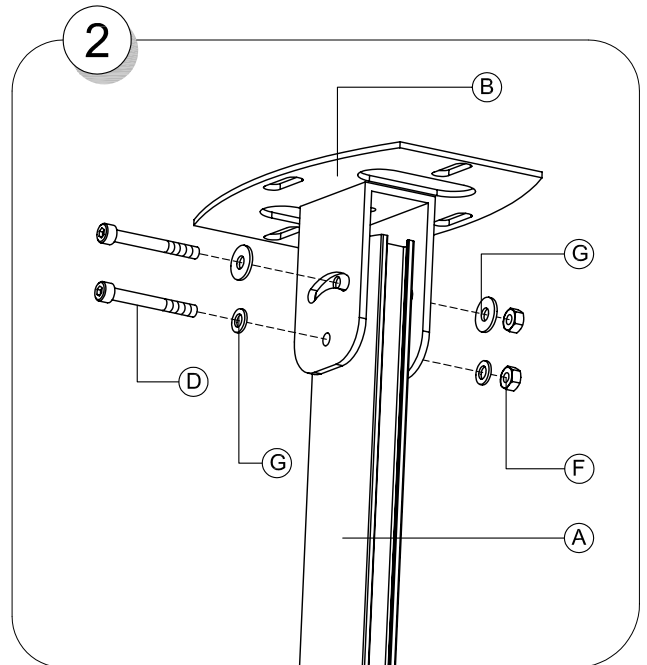
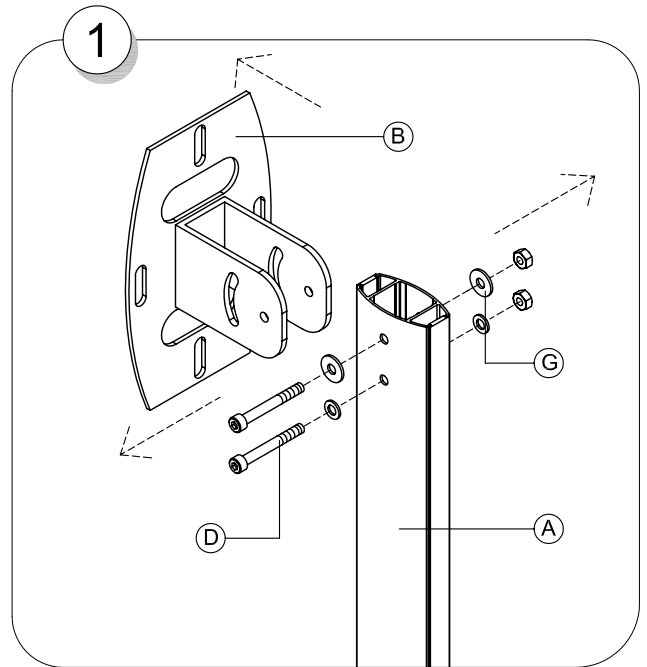


# SMS PROJECTOR CLV

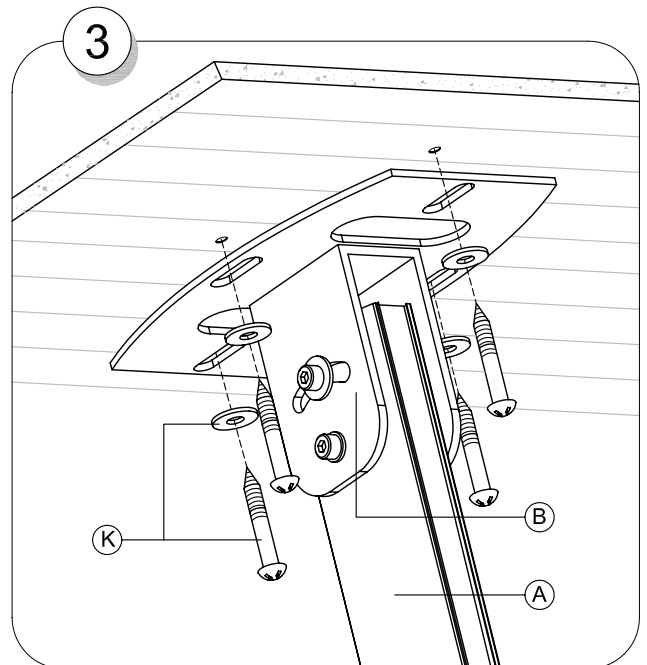
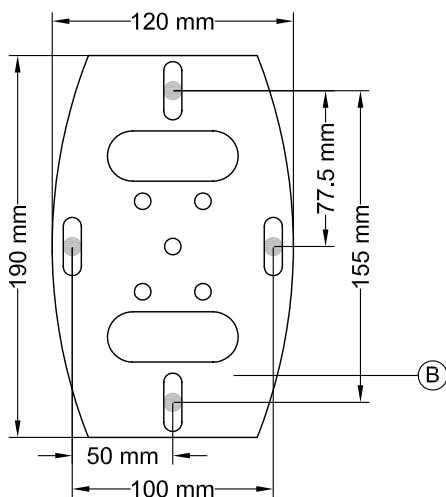




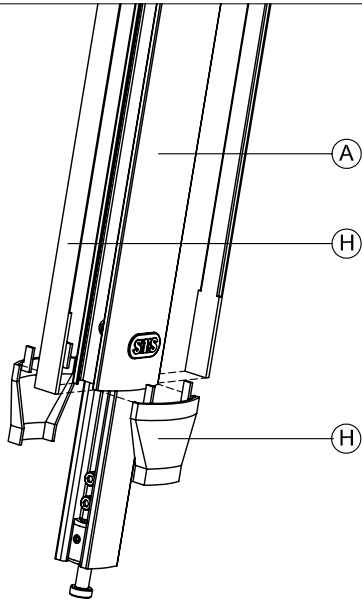
Contents		
A.	SMS Aero main body	1
B.	Ceiling plate	1
C.	Cap	1
D.	Screws M6x50	 2
E.	Screws M5x10	 2
F.	Nut M6	 2
G.	BRB 6,4 + NB 6x25	 2+2
H.	Plastic Covers+Plastic list	2+2
I.	Allen Keys	 3
J.	Unislide Projector ( Not included )	
K.	Ceiling Screws & washers (Not included)	



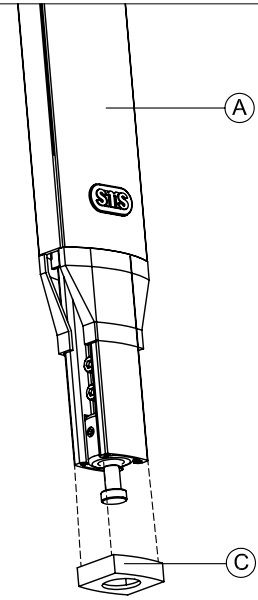
Holes Pattern SMS Projector CL V Ceiling Plate



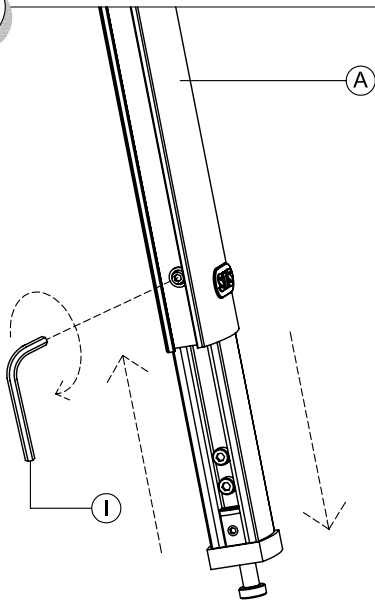
4



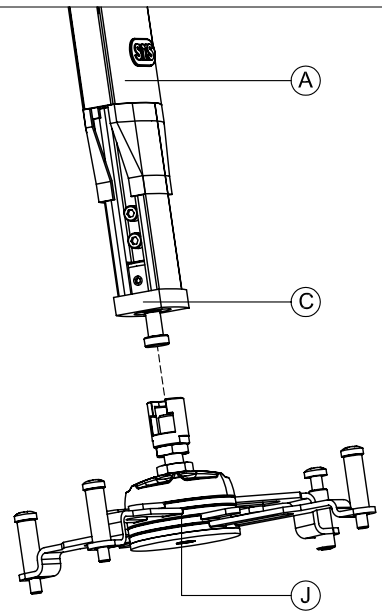
5



6



7



8

