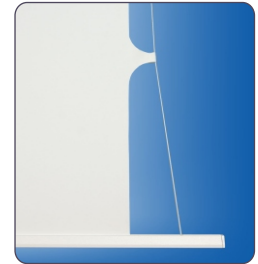


Rollfix Pro TabTension



casing



lateral TabTension mechanism



flexible mounting angle



rotary switch

Highlights

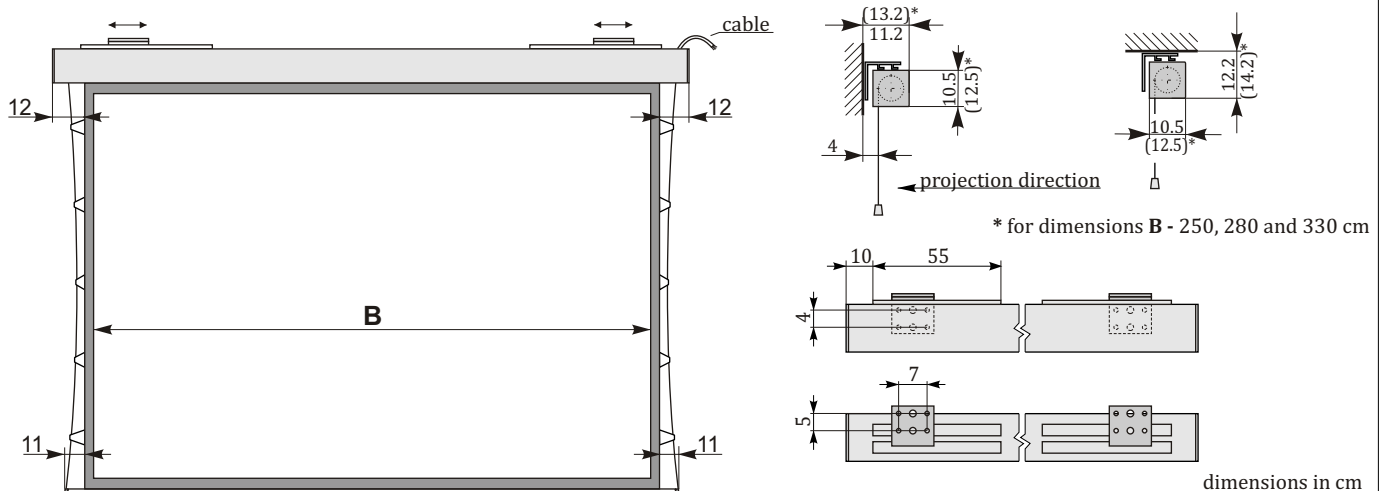
- Meets all demands placed on a high quality screen and professional projection
- Square steel casing in white colour, cross section 10,5x10,5 cm up to width of 230 cm and 12,5x12,5 cm from the width of 260 cm
- **Lateral TabTension mechanism for the optimal flatness of the screen surface**
- Suitable for use with ultra short-distance projectors
- **Maintenance-free, robust tubular motor in a new, quiet design (230V)**
- **Safety with automatic shut-down by micro-switch**
- **Flexible mounting angle for direct wall/ceiling mounting**
- **Flush end of the screen surface with the casing thanks to the conical slat bar**
- No visible screws on the screens protective casing
- Casing in white colour (RAL 9003)
- **Installation frame is available for installation in suspended ceilings and for a clean ceiling finish**
- **Customized sizes, special colour of casing, different types of screens surfaces on request**

Screen surface

- Type D - matt white, PVC based material
- Format 4:3, 16:9, 16:10 with black border

On request

- without black border
- Perforated screen surface
- Type S - highly reflective, PVC based material pearl coated
- Typ R - Rear projection



B	180	220	250	280	330
---	-----	-----	-----	-----	-----