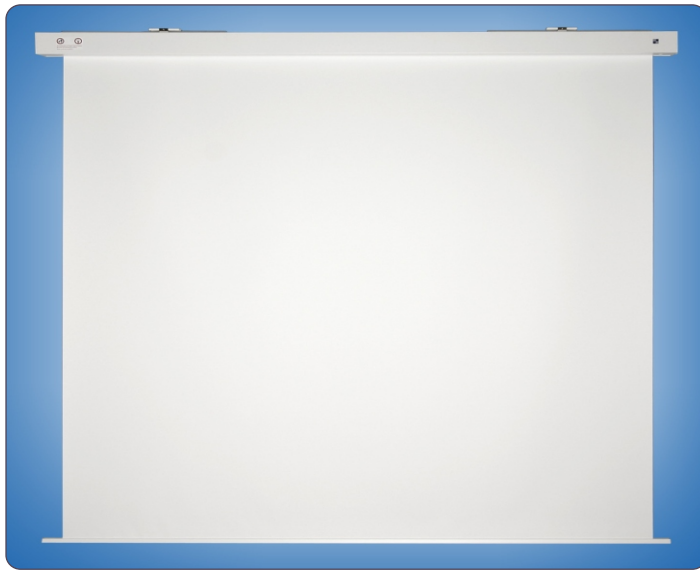
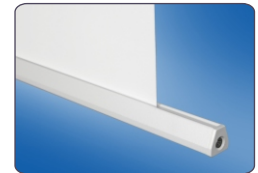


# Rollfix Pro Electric RC

**NEW**



casing



conical slat bar



flexible mounting angle



RF remote control

## Highlights

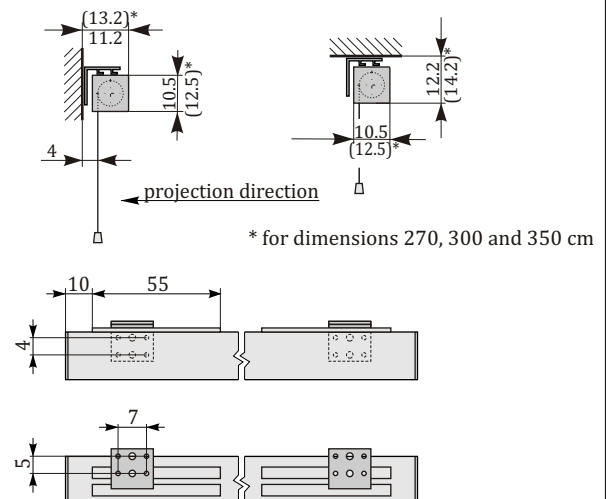
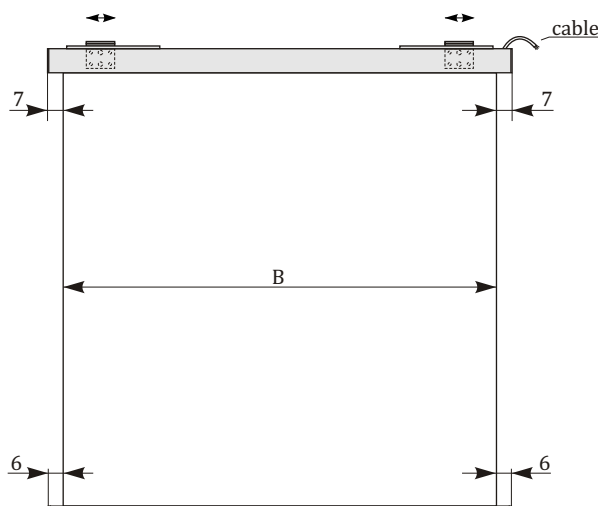
- Meets all demands placed on a high quality screen and professional projection
- Square steel casing in white colour, cross section 10,5x10,5 cm up to the size of 240x240 cm and 12,5x12,5 cm from the size of 270x270 cm
- **RF Remote control included in delivery**
- Suitable for use with short-distance projectors
- **Maintenance-free, robust tubular motor in a new, quiet design (230V)**
- **Safety with automatic shut-down by micro-switch**
- **Flexible mounting angle for direct wall/ceiling mounting**
- **Flush end of the screen surface with the casing thanks to the conical slat bar**
- No visible screws on the screens protective casing
- Casing in white colour (RAL 9003)
- **Installation frame is available for installation in suspended ceilings and for a clean ceiling finish**
- **Customized sizes, special colour of casing, different types of screens surfaces on request**

## Screen surface

- Type D – matt white, Fabric based material – **Top quality screen surface Blankara matt white in all sizes**
- Format 1:1 without black border, 4:3, 16:9, 16:10 with black border

## On request

- Type S – highly reflective, Fabric based material pearl coated



dimensions in cm

B	180	200	240	270	300	350
---	-----	-----	-----	-----	-----	-----