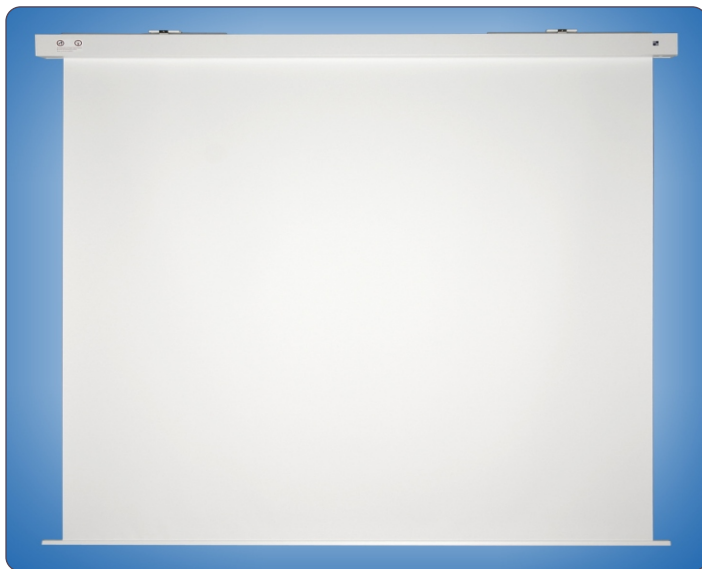
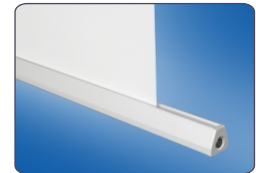


Rollfix Premium Electric



casing



conical slat bar



flexible mounting angle



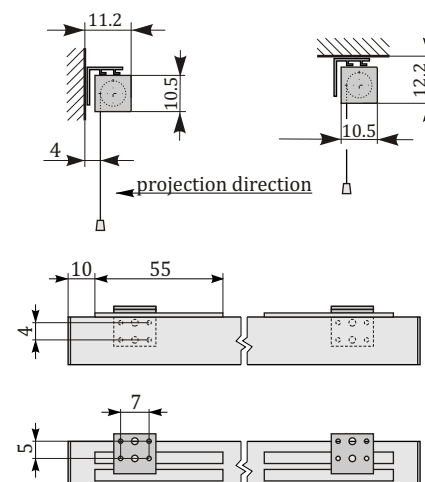
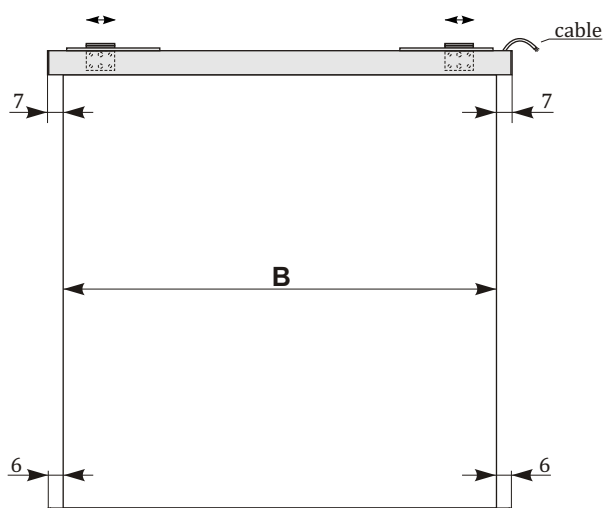
rotary switch

Highlights

- Meets all demands placed on a high quality screen
- Square steel casing in white colour, cross section 10,5x10,5 cm
- **Comfortable and safe use due to end switches for roll in and roll out**
- **Flexible mounting angle for direct wall/ceiling mounting**
- **Conical slat bar ending flush with the screen edge**
- No visible screws on the screens protective casing
- Casing in white colour (RAL 9003)
- **Installation frame is available for installation in suspended ceilings and for a clean ceiling finish**
- **Customized sizes, special colour of casing, different types of screens surfaces on request**

Screen surface

- Type D - matt white, Fabric based material
- Format 1:1 without black border, 4:3, 16:9 and 16:10 with black border



dimensions in cm

B	180	200	240
----------	-----	-----	-----