

Maxxscreen 36 TabTension



Highlights

- Large venue electric screen for trade shows, conference halls, theaters and cinemas
- **Up to size of 1000 cm width and 675 cm height with no visible seam**
- **Perfectly flat viewing area with the use of lateral tensioning system**
- **The screen surface is given a high-quality coating after the welding, whereby the horizontal seams are not longer visible**
- High-quality, stable square steel housing, 1 mm steel sheet
- Housing colour: white, RAL 9010
- Ceiling installation as standard
- Mounts for wall mounting optionally available
- Maintenance - free robust motor incl. thermo protection against overheating
- Easy and safe handling due to an electrical drive, rotary switch included
- Automatic electrical end switch at the top and bottom
- Maintenance-free winding shaft, quiet and vibration-free
- **Installation frame for integration into suspended ceilings optionally available**
- **Customized sizes, special colour of casing, different types of screens surfaces on request**

Screen surface

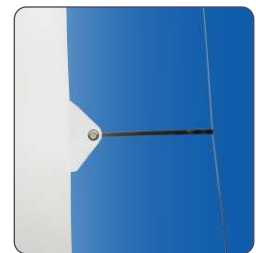
- Type D - matt white, PVC based material with special coating

On request

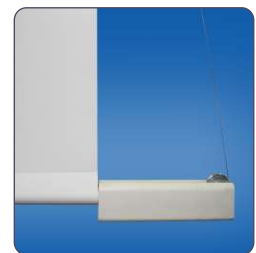
- Perforated screen surface
- Type S - highly reflective, PVC based material pearl coated
- Rear projection



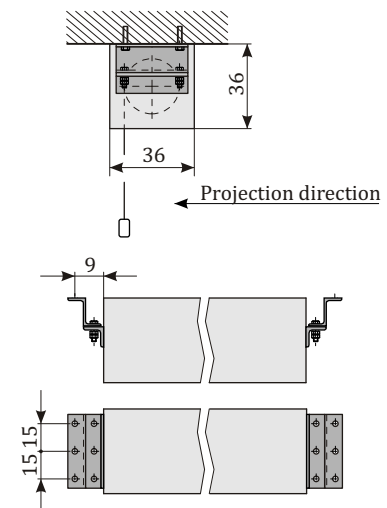
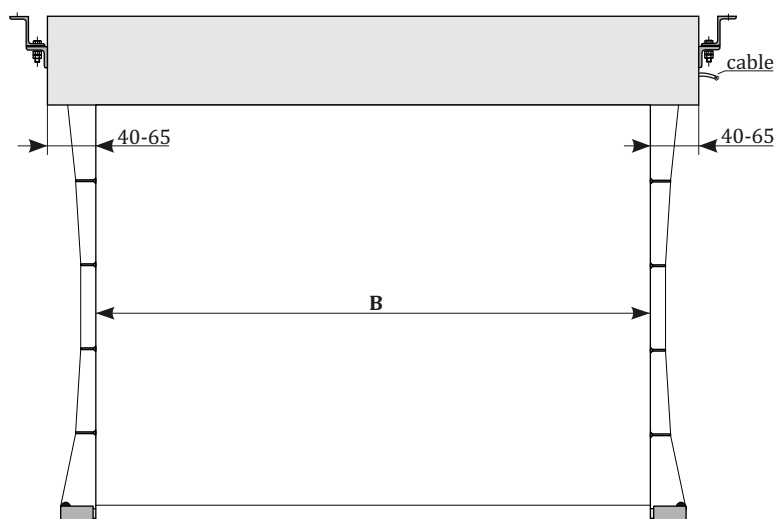
robust case



TabTension system



slat bar retracts into the case



Dimensions in cm

B	600	650	700	750	800	850	900	950	1000
---	-----	-----	-----	-----	-----	-----	-----	-----	------