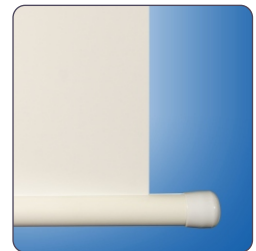


# Maxxscreen 27



robust case



slat bar retracts into the case



rotary switch

## Highlights

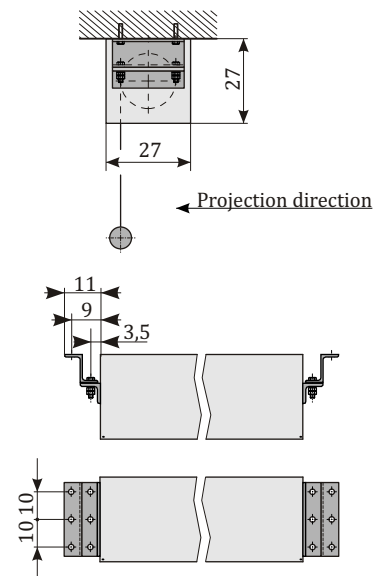
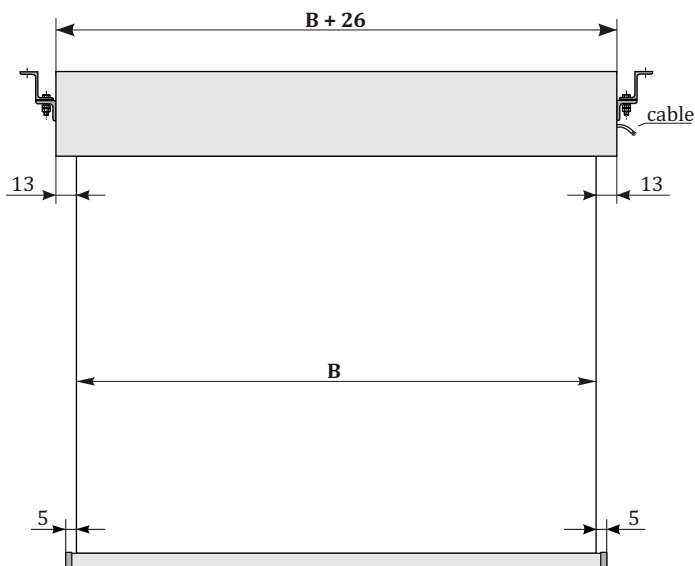
- Large venue electric screen for trade shows, conference halls, theaters and cinemas
- **Up to size of 700 cm width and 400 cm height, seamless**
- High-quality, stable square steel housing, 1 mm steel sheet
- Housing colour: white, RAL 9010
- Ceiling installation as standard
- Mounts for wall mounting optionally available
- **Maintenance- free robust motor incl. thermo protection against overheating**
- Easy and safe handling due to an electrical drive, rotary switch included
- Automatic electrical end switch at the top and bottom
- Maintenance-free winding shaft, quiet and vibration-free
- **Installation frame for integration into suspended ceilings optionally available**
- **Customized sizes, special colour of casing, different types of screens surfaces on request**

## Screen surface

- Type D - matt white, fabric based material

## On request

- Type S - highly reflective, fabric based material pearl coated



Dimensions in cm

B	450	500	550	600	650	700
---	-----	-----	-----	-----	-----	-----