

VIDEO ELE

with electrical command, varnished aluminium case

Canvas	SOFT WHITE, TRANSOUND, RETRO, SOFT MATT WHITE
Available Sizes	1:1
	Video 4:3
	HDTV 16:9
Borders	Screens supplied with or without 5 cm perimetrical black borders
Descent of the cloth	Front lowering of the fabric in the standard configuration, for the the rear side of the screen case can be supplied on request.
Screen Case	Aluminum box painted light gray RAL7035 section mm. 145x145, open on the bottom side. On the version without screen case, the diameter of the winding tube is mm. 150, with a section of mm. 250x170. On request, it is also possible to customize the painting of the box specifying the RAL desired by the customer.
	Size of the screen case: total width of the projection fabric + cm. 20. Version without case: width of the projection fabric + cm. 22
Winding tube	Internal anodized aluminum tube diam. mm. 100, which includes the electric motor
Engine	Somfy single phase electric motor, CE approved, 230V-50Hz, power consumption 120 W 0.50 A, protection class IP 44, 17 rpm, mounted on the left side of the screen. 5-year warranty from date of purchase.
	Up/down limit switches factory adjusted. Possibility to change the standard settings if necessary. The screen can also be stopped at intermediate heights, by acting on the electric switch.
Installations	Wall and ceiling mounting brackets made of galvanized steel, these can be positioned along the whole length of the box (version with screen case).
	Side brackets for wall or ceiling mounting, made of steel painted light gray RAL7035 (version without box).
Certifications	CE
Warranty	12 months as per conditions indicated to the instruction manual, 60 months on the mechanical parts (engine included).
Included Accessories	Electric inverter ascent/descent of the screen
	Suspension brackets
Accessory not included	Radio remote control with external receiver or integrated in the screen motor.

VIDEO ELE projection creens **WITH** aluminium case

ASPECT RATIO	DIMENSIONS		PROJECTION NETVIEW			BLACK BORDERS	TOP DROP	CODE/CANVAS				SCREEN CASE (WxHxD)	PACKING	NET WEIGHT	GROSS WEIGHT
								SOFT WHITE	SOFT MATT WHITE	TRANSOUND	RETRO				
	A	B	A'	B'	O"										
1:1	350	350	350	350	195			068201	068243	068221	068239	370x15x15	375x22x22	42	45
1:1	400	400	400	400	223			068701	068743	068721	068739	420x15x15	425x22x22	49	53
1:1	450	450	450	450	251			069101	069143	069121	069139	470X15X15	475x22x22	54	58
1:1	500	500	500	500	279			069401C	069443C	069421C	069439C	520x15x15	525x22x22	57	64
1:1	600	600	600	600	335			066401C	066443C	066421C	066439C	623x28x25	658x42x51	100	230
1:1	700	700	700	700	390			066501C	066543C	066521C	066539C	723x28x25	758x42x51	115	260
4:3	350	300	350	300	182			068101	068143	068121	068139	370x15x15	375x22x22	41	45
4:3	400	300	400	300	197			068501	068543	068521	068539	420x15x15	425x22x22	46	51
4:3	450	350	450	350	225			068901	068943	068921	068939	470x15x15	475x22x22	51	55
4:3	500	375	500	375	247			069201C	069243C	069221C	069239C	520x15x15	525x22x22	57	64
4:3	600	450	600	450	296			069701C	069743C	069721C	069739C	623x28x25	658x42x51	100	230
4:3	700	525	700	525	345			069901C	069943C	069921C	069939C	723x28x25	758x42x51	115	260
16:9	350	197	350	197	159			067401	067443	067421	067439	370x15x15	375x22x22	41	45
16:9	400	225	400	225	181			067501	067543	067521	067539	420x15x15	425x22x22	45	50
16:9	450	253	450	253	204			065001	065043	065021	065039	470x15x15	475x22x22	49	53
16:9	500	281	500	281	226			065601C	065643C	065621C	065639C	520x15x15	525x22x22	57	64
16:9	600	338	600	338	272			066201C	066243C	066221C	066239C	623x28x25	658x42x51	100	230
16:9	700	394	700	394	317			067301C	067343C	067321C	067339C	723x28x25	758x42x51	115	260
16:10	350	220	350	220	163			646010	64643	64621	64639	370x15x15	375x22x22	41	45
16:10	400	250	400	250	186			064901	064943	064921	064939	420x15x15	425x22x22	45	50
16:10	450	282	450	282	210			065101	065143	065121	065139	470x15x15	475x22x22	49	53
16:10	500	313	500	313	233			065501C	065543C	065521C	065539C	520x15x15	525x22x22	57	64
16:10	600	375	600	375	279			066301C	066343C	066321C	066339C	623x28x25	658x42x51	100	230
16:10	700	438	700	438	326			067201C	067243C	067221C	067239C	723x28x25	758x42x51	115	260
4:3	350	280	340	255	168	5	20	068101BB	068143BB			370x15x15	375x22x22	41	45
4:3	400	318	390	293	193	5	20	068501BB	068543BB			420x15x15	425x22x22	46	51
4:3	450	355	440	330	217	5	20	068901BB	068943BB			470X15X15	475x22x22	51	55
4:3	500	393	490	368	242	5	20	069201CBB	069243CBB			520x15x15	522x22x22	57	64
4:3	600	468	590	443	291	5	20	069701CBB	069743CBB			623x28x25	658x42x51	100	230
4:3	700	543	690	518	340	5	20	069901CBB	069943CBB			723x28x25	758x42x51	115	260
16:9	350	246	340	221	160	5	20	067401BB	067443BB			370x15x15	75x22x22	41	45
16:9	400	274	390	249	183	5	20	067501BB	067543BB			420x15x15	25x22x22	46	51
16:9	450	303	440	278	205	5	20	065001BB	065043BB			470X15X15	75x22x22	51	55
16:9	500	331	490	306	228	5	20	065601CBB	065643CBB			520x15x15	525x22x22	57	64
16:9	600	357	590	332	267	5	20	066201CBB	066243CBB			623x28x25	658x42x51	100	230
16:9	700	413	690	388	312	5	20	067301CBB	067343CBB			723x28x25	758x42x51	115	260
16:10	350	238	340	213	158	5	20	064601BB	064643BB			370x15x15	375x22x22	41	45
16:10	400	269	390	244	182	5	20	064901BB	064943BB			420x15x15	425x22x22	46	51
16:10	450	300	440	275	205	5	20	069001BB	069043BB			470X15X15	475x22x22	51	55
16:10	500	331	490	306	228	5	20	065501CBB	065543CBB			520x15x15	525x22x22	57	64
16:10	600	394	590	369	274	5	20	066301CBB	066343CBB			623x28x25	658x42x51	100	230
16:10	700	456	690	431	321	5	20	067201CBB	067243CBB			723x28x25	758x42x51	115	260

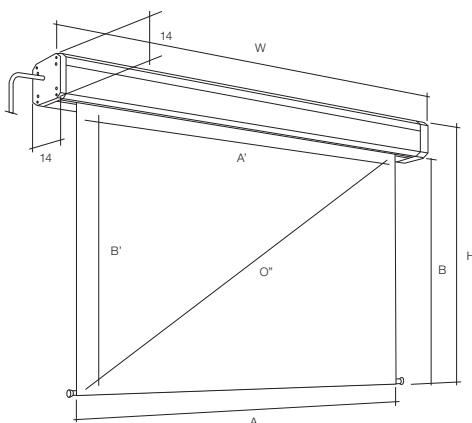
Size in cm, weights expressed in kilograms, diagonal expressed in inches (")

VIDEO ELE projection screens **WITHOUT** aluminium case

ASPECT RATIO	DIMENSIONS		PROJECTION NETVIEW			BLACK BORDERS	TOP DROP	CODE/CANVAS				SCREEN CASE (WxHxD)	PACKING	NET WEIGHT	GROSS WEIGHT
								SOFT WHITE	SOFT MATT WHITE	TRANSOUND	RETRO				
	A	B	A'	B'	O"										
1:1	500	500	500	500	279			069401	069443	069421	069439	522x25x17	530x31x18	77	90
1:1	600	600	600	600	335			066401	066443	066421	066439	622x25x17	630x31x18	84	98
1:1	700	700	700	700	390			066501	066543	066521	066539	722x25x17	730x31x18	98	115
4:3	500	375	500	375	247			069201	069243	069221	069239	522x25x17	530x31x18	77	90
4:3	600	450	600	450	296			069701	069743	069721	069739	622x25x17	630x31x18	84	98
4:3	700	525	700	525	345			069901	069943	069921	069939	722x25x17	730x31x18	98	115
16:9	500	281	500	281	226			065601	065643	065621	065639	522x25x17	530x31x18	77	90
16:9	600	338	600	338	272			066201	066243	066221	066239	622x25x17	630x31x18	84	98
16:9	700	394	700	394	317			067301	067343	067321	067339	722x25x17	730x31x18	98	115
16:10	500	313	500	313	233			065501	065543	065521	065539	522x25x17	530x31x18	77	90
16:10	600	375	600	375	279			066301	066343	066321	066339	622x25x17	630x31x18	84	98
16:10	700	438	700	438	326			067201	067243	067221	067239	722x25x17	730x31x18	98	115
4:3	500	393	490	368	242			069201CBB	069243CBB			522x25x17	530x31x18	77	90
4:3	600	468	590	443	291	5	20	069701BB	069743BB			622x25x17	630x31x18	84	98
4:3	700	543	690	518	340	5	20	069901BB	069943BB			722x25x17	730x31x18	98	115
16:9	500	331	490	306	228	5	20	065601CBB	065643CBB			522x25x17	530x31x18	77	90
16:9	600	357	590	332	267	5	20	066201BB	066243BB			622x25x17	630x31x18	84	98
16:9	700	413	690	388	312	5	20	067301BB	067343BB			722x25x17	730x31x18	98	115
16:10	500	332	490	307	228	5	20	065501CBB	065543CBB			522x25x17	530x31x18	77	90
16:10	600	394	590	369	274	5	20	066301BB	066343BB			622x25x17	630x31x18	84	98
16:10	700	456	690	431	321	5	20	067201BB	067243BB			722x25x17	730x31x18	98	115

ACCESSORIES AND SPARE PARTS			
	CODE	NET WEIGHT	GROSS WEIGHT
REMOTE RADIO CONTROL HOME (receiver + transmitter) working range 60 meters	090015	0,5	0,6
PAIR OF SPACING BRACKETS FOR WALL MOUNT from 25 cm (canvas @ 22 cm from the wall)	090003	0,5	1,0
INVERTER fixed positions, stop button, mounting to bump	090006	0,9	1,0
PAIR OF SUSPENSION BRACKETS (besides those standard supplied)	090007	0,2	0,3
CEILING BRACKETS KIT FOR 6 M SCREENS (FOR MODEL WITH SCREEN CASE ONLY)	090025	5,1	
WALL BRACKETS KIT FOR 6 M SCREENS (FOR MODEL WITH SCREEN CASE ONLY)	090026	4,7	
CEILING BRACKETS KIT FOR 7 M SCREENS (FOR MODEL WITH SCREEN CASE ONLY)	090027	6,4	
WALL BRACKETS KIT FOR 7 M SCREENS (FOR MODEL WITH SCREEN CASE ONLY)	090028	5,9	

Size in cm, weights expressed in kilograms, diagonal expressed in inches (")



detail of the screen case





HELGI

THE DIGITAL COURTYARD

Helgi Europe
education@helgi-solutions.com
business@helgi-solutions.com
www.helgi-solutions.com