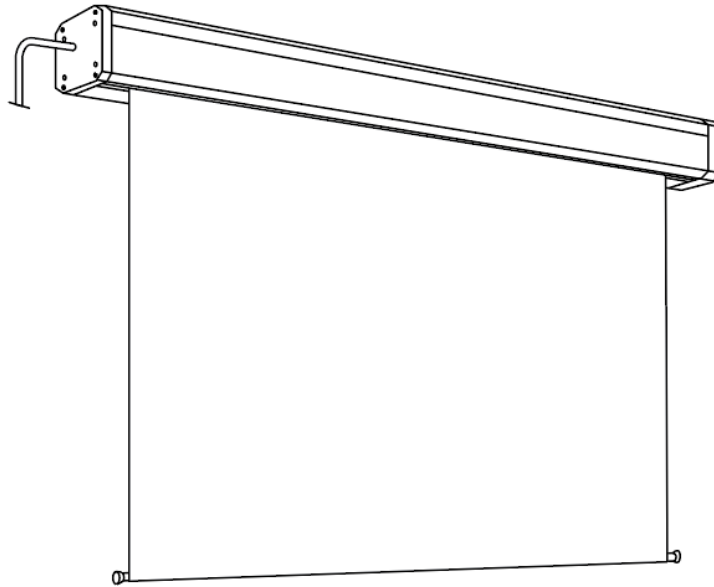


INSTRUCTION AND MAINTENANCE VIDEO ELE PROJECTION SCREEN WITH CASE



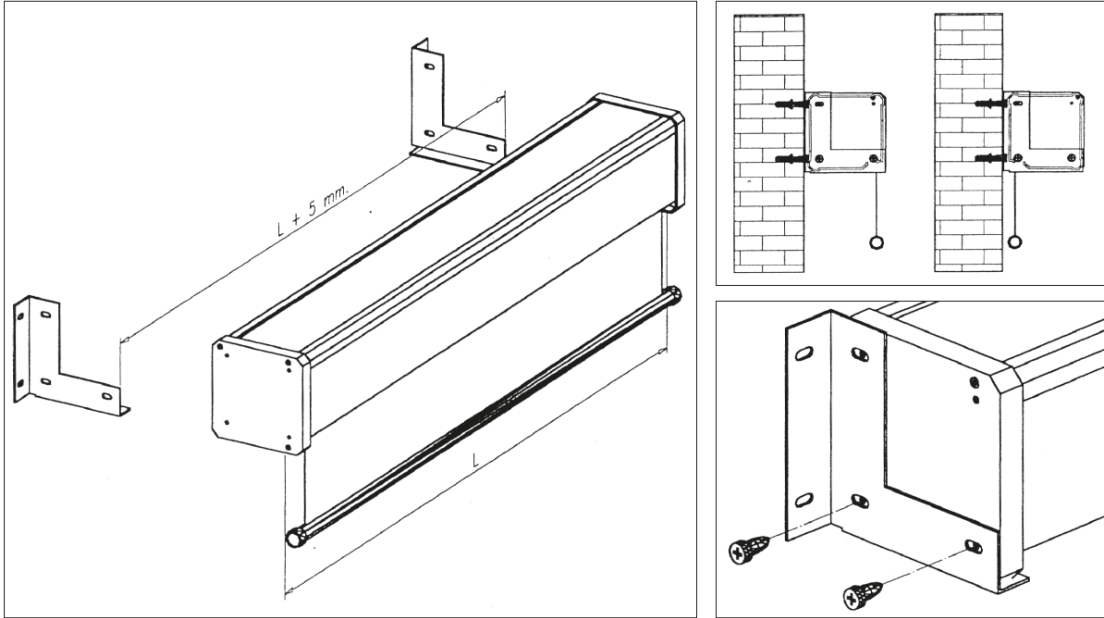
1.1 TECHNICAL DATA

PRODUCT DESCRIPTION

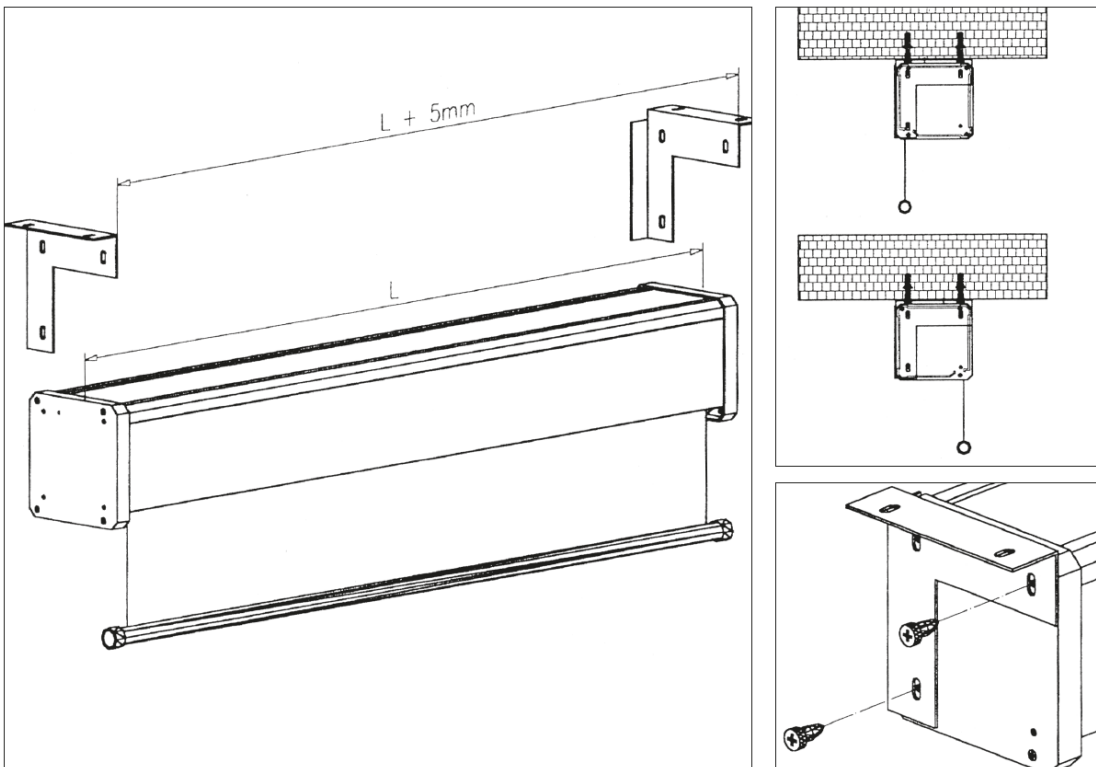
Canvas SOFT WHITE, TRANSOUND, RETRO, SOFT MATT WHITE | Available Sizes 1:1, Video 4:3, HDTV 16:9, 16:10 | Borders Screens supplied with or without 5 cm perimetrical black borders | Descent of the screen Front lowering of the fabric in the standard configuration, for the the rear side of the screen case can be supplied on request | Screen Case Aluminum box painted light gray RAL7035 section mm. 145×145, open on the bottom side. On the version without screen case, the diameter of the winding tube is mm. 150, with a section of mm. 250×170. On request, it is also possible to customize the painting of the box specifying the RAL desired by the customer | Size of the screen case: total width of the projection fabric + cm. 20. Version without case: width of the projection fabric + cm. 22 | Winding tube Internal anodized aluminum tube diam. mm. 100, which includes the electric motor | Motor Somfy single phase electric motor, CE approved, 230V-50Hz, power consumption 120 W 0.50 A, protection class IP 44, 17 rpm, mounted on the left side of the screen. 5-year warranty from date of purchase | Up/down limit switches factory adjusted. Possibility to change the standard settings if necessary. The screen can also be stopped at intermediate heights, by acting on the electric switch | Installation Wall and ceiling mounting brackets made of galvanized steel, these can be positioned along the whole length of the box (version with screen case) | Certifications CE | Warranty 12 months as per conditions indicated to the instruction manual, 60 months on the mechanical parts (engine included) | Included Accessories Electric inverter ascent/descent of the screen | Suspension brackets | Accessories not included Radio remote control with external receiver or integrated in the screen motor.

1.0 INSTALLATION

1.1 WALL MOUNTING

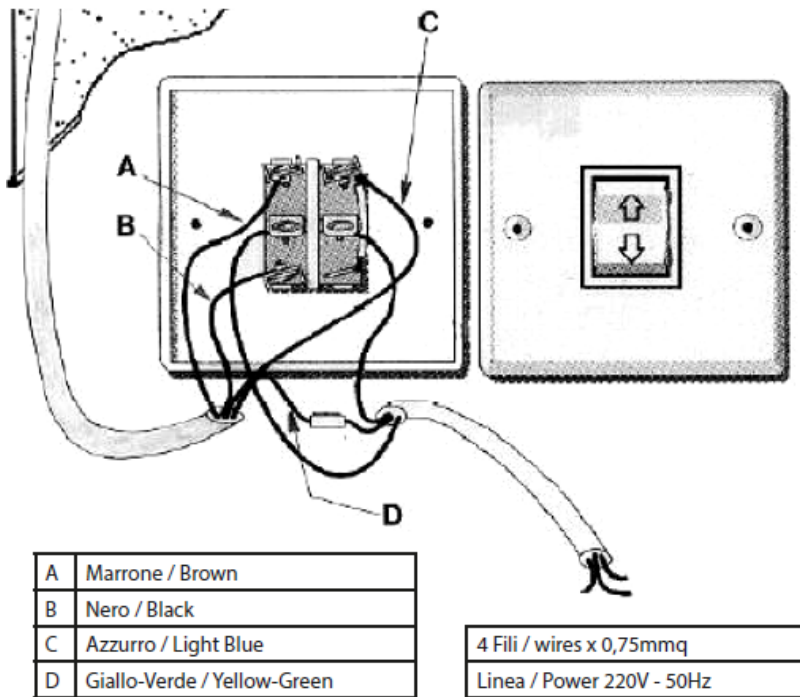


1.2 CEILING MOUNTING



2.0 ELECTRICAL WIRING INSTRUCTIONS

Open the rear panel of the up/down inverter switch supplied and connect cables from screen case (2,5 mt length available) to the inverter switch and from this one to the main power. If the screen is supplied with remote control accessory, see separate instruction sheet.



3.0 SCREEN ADJUSTMENT

Screens are tested and adjusted at the factory, as per sizes indicated on the catalogue. If necessary, it is possible to adjust the height of the screen. The max. height cannot exceed the pre-set one, but it can be decreased following the instructions below.

1. The "S" screw adjusts the raising of the screen. Insert the 4 mm Allan key, standard supplied, turn it clockwise to reduce the raising or counter clockwise to increase it. Repeat until the desired position is set.
2. The "D" screw adjusts the lowering of the screen. It is only possible to reduce the lowering of the screen by turning the Allan key clockwise. Repeat until the desired position is set.